

MAYFAIR 2

FOUNDRY WAY , WAUWATOSA, WI

Architecture : **Dimension IV - Madison Design Group**
6515 Grand Teton Plaza, Suite 120, Madison, WI 53719
p: 608.829.4444 www.dimensionivmadison.com

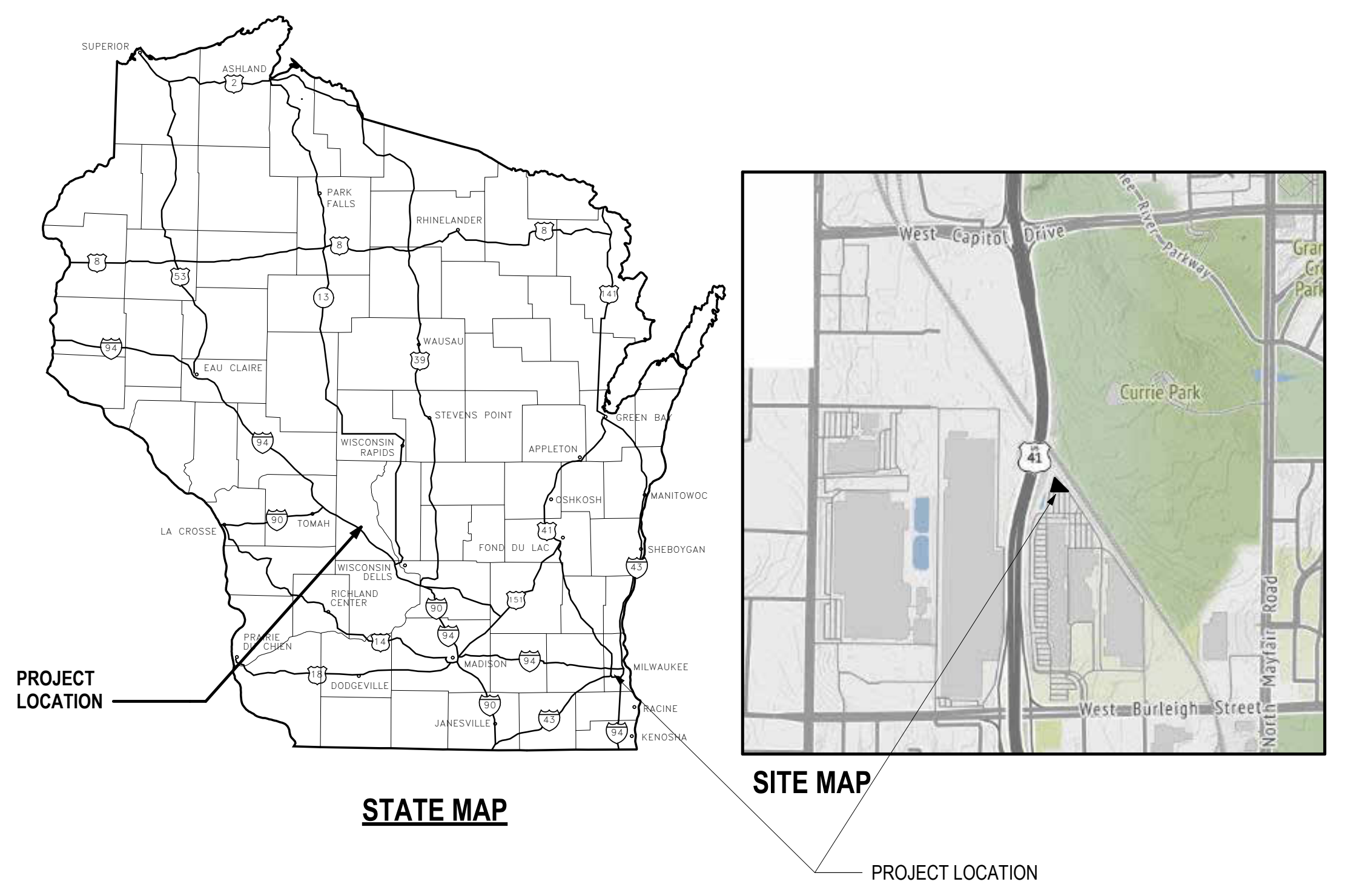
Developer: **MSP Real Estate**
7901 West National Avenue, West Allis, WI 53214
p: 414.259.2108 www.msprealestateinc.com

Civil Engineering: **CJ Engineering**
9205 West Center Street, Suite 214, Milwaukee, WI 53222
p: 414.443.1312 www.cj-engineering.com

Landscape Architecture **raSmith**
16745 W. Bluemound Road, Brookfield, WI 53005-5938
w:262.781.1000 www.rasmith.com

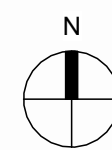
PHASE 1:					
FLOOR:	1	2	3	4	TOTAL
1 BED-	6	6	7	5	24
2 BED-	3	5	6	6	20
3 BED-	3	3	2	3	11
SUBTOTAL: 55					
PHASE 2:					
FLOOR:	1	2	3	4	TOTAL
1 BED-	11	12	13	12	48
2 BED-	4	4	4	3	15
STUDIO-	3	2	1	1	7
SUBTOTAL: 70					
TOTAL UNITS: 125					
PARKING					
SURFACE PARKING: 67					
UNDERGROUND PARKING: 86					
TOTAL PARKING STALLS: 153					

LIST OF DRAWINGS - DRB		
SHEET NO.	SHEET NAME	DRB
G1.0	DRB COVER SHEET	Yes
G2.0	SITE	Yes
G3.0	SITE PHOTOS	Yes
G4.0	EXISTING PROJECT PHOTOS	Yes
G5.0	MATERIALS SAMPLES	Yes
AL1.0	SITE SURVEY	Yes
C2.0	SITE PLAN	Yes
1 OF 1	SITE LIGHTING PLAN	Yes
L100	SITE LANDSCAPE PLAN	Yes
L200	LANDSCAPE NOTES AND DETAILS	Yes
A1.0	CONCEPT FLOOR PLANS	Yes
A2.0	CONCEPT ELEVATIONS	Yes
A2.1	CONCEPT ELEVATIONS	Yes
A2.2	CONCEPT ELEVATIONS	Yes
A3.0	RENDERS	Yes
S1	SIGNAGE SITE PLAN	Yes
S2	SIGNAGE DETAILS	Yes
S3	SIGNAGE DETAILS	Yes
S4	SIGNAGE DETAILS	Yes
S5	SIGNAGE DETAILS	Yes





1 SITE AERIAL VIEW
1 1/2" = 1'-0"



(The Regent & The Oxford)
EXISTING APARTMENT BUILDING



VIEW LOOKING FROM NORTH TOWARDS THE SITE



VIEW LOOKING FROM EAST TOWARDS THE SITE



VIEW LOOKING FROM SOUTH TOWARDS THE SITE

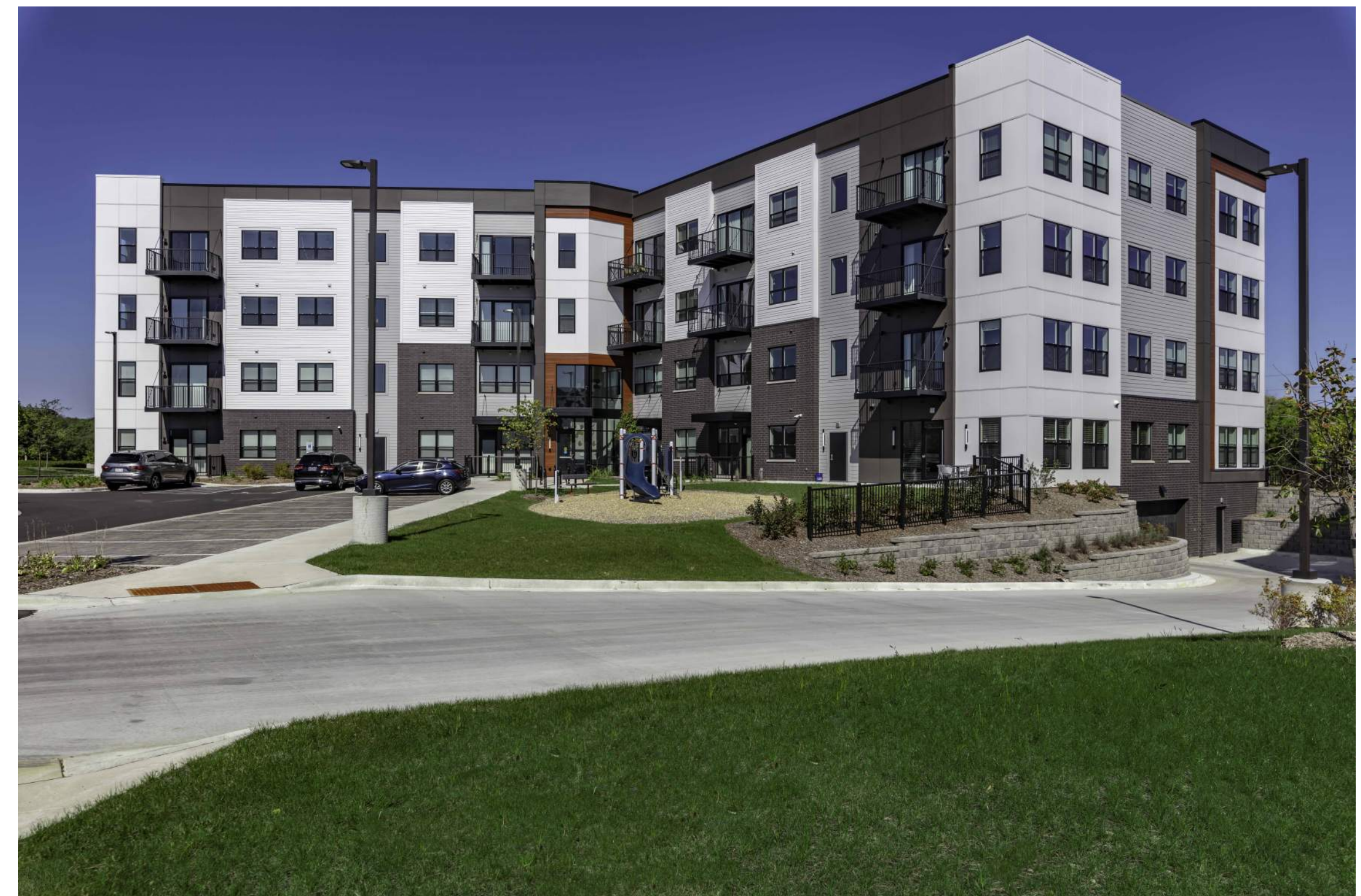


VIEW LOOKING FROM WEST TOWARDS THE SITE

PHOTOS OF *The Regent & The Oxford*, (EXISTING APARTMENT BUILDINGS AT 3325 AND 3375 FOUNDRY WAY)



VIEW LOOKING FROM WEST TOWARDS BUILDING



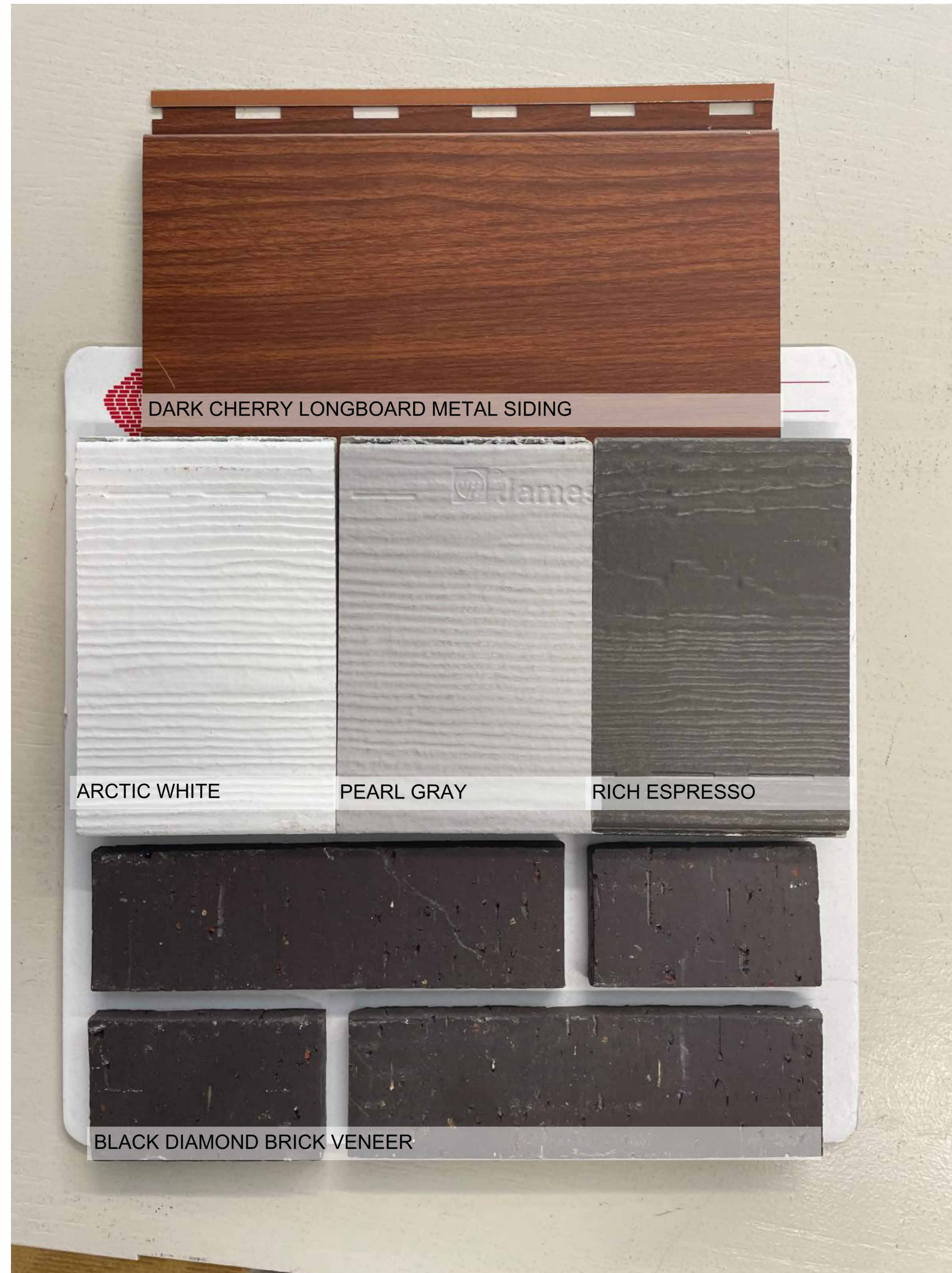
VIEW OF BUILDING A



VIEW LOOKING NORTH FROM SOUTH



VIEW LOOKING FROM SITE TO EXISTING BUILDING



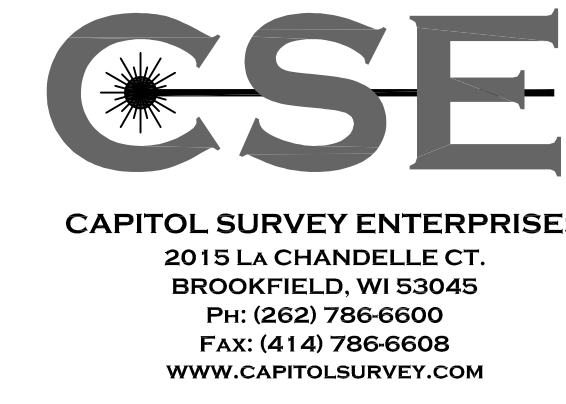
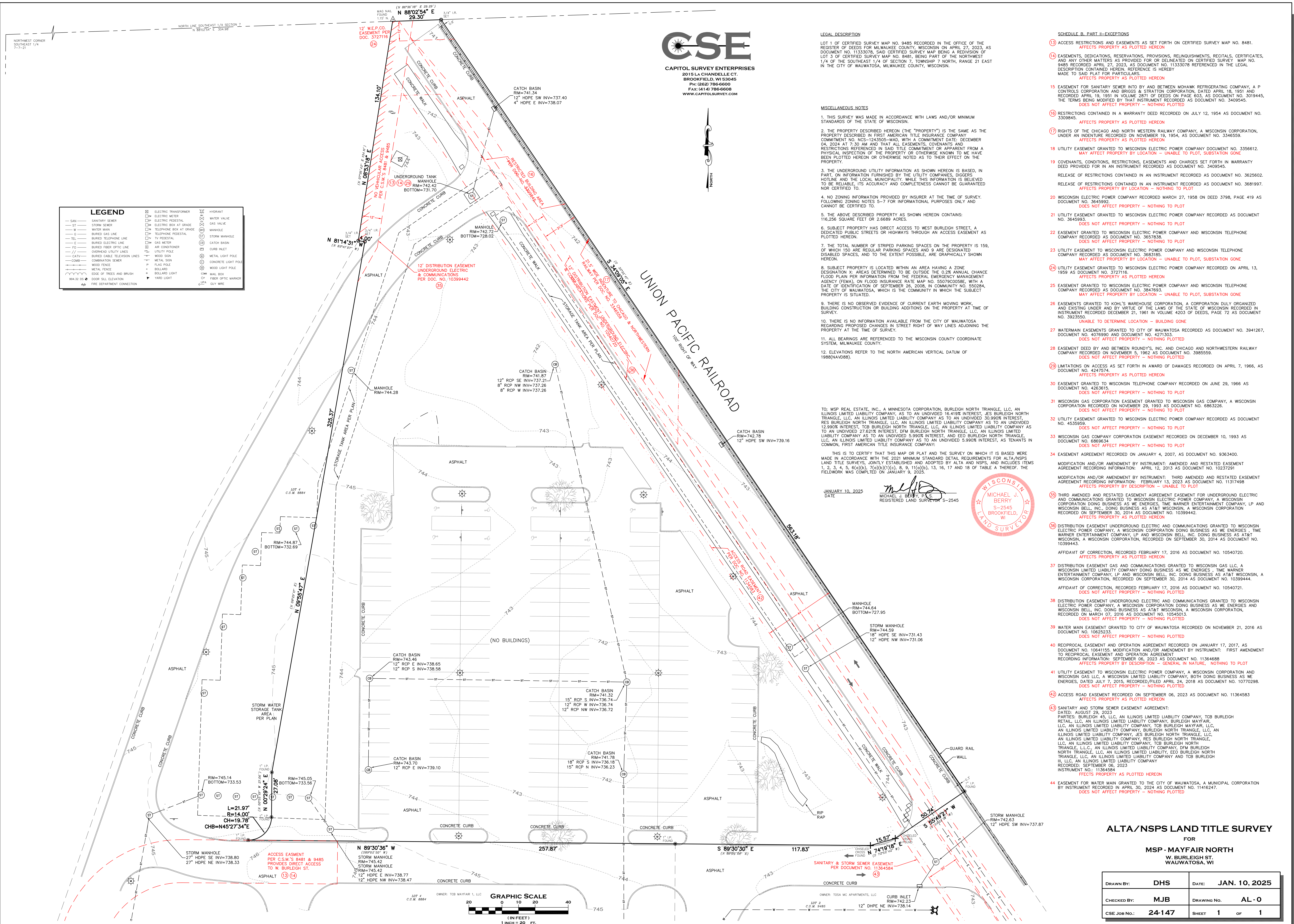
DARK CHERRY LONGBOARD METAL SIDING

ARCTIC WHITE

PEARL GRAY

RICH ESPRESSO

BLACK DIAMOND BRICK VENEER



LEGAL DESCRIPTION

LOT 1 OF CERTIFIED SURVEY MAP NO. 9485 RECORDED IN THE OFFICE OF THE REGISTER OF DEEDS FOR MILWAUKEE COUNTY, WISCONSIN ON APRIL 27, 2023, AS DOCUMENT NO. 1133078, SAID CERTIFIED SURVEY MAP BEING A REDIVISION OF LOT 3 OF CERTIFIED SURVEY MAP NO. 9484, BEING PART OF THE NORTHWEST 1/4 OF THE SOUTHWEST 1/4 OF SECTION 7 NORTH, RANGE 21 EAST IN THE CITY OF WAUWATOSA, MILWAUKEE COUNTY, WISCONSIN.

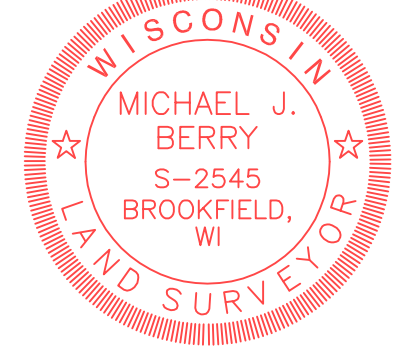
MISCELLANEOUS NOTES

- THIS SURVEY WAS MADE IN ACCORDANCE WITH LAWS AND/OR MINIMUM STANDARDS OF THE STATE OF WISCONSIN.
- THE PROPERTY DESCRIBED HEREON (THE "PROPERTY") IS THE SAME AS THE PROPERTY DESCRIBED IN FIRST AMERICAN TITLE INSURANCE COMPANY COMMITMENT NO. NCS-1243505-MAD, WITH A COMMITMENT DATE: DECEMBER 04, 2024 AT 7:30 AM AND THAT ALL EASEMENTS, COVENANTS AND RESTRICTIONS REFERENCED IN SAID TITLE COMMITMENT OR APPARENT FROM A PHYSICAL INSPECTION OF THE PROPERTY OR OTHERWISE KNOWN TO ME HAVE BEEN PLOTTED HEREON OR OTHERWISE NOTED AS TO THEIR EFFECT ON THE PROPERTY.
- THE UNDERGROUND UTILITY INFORMATION AS SHOWN HEREON IS BASED, IN PART, ON INFORMATION FURNISHED BY THE UTILITY COMPANIES, DIGGERS HOTLINE AND THE LOCAL MUNICIPALITY. WHILE THIS INFORMATION IS BELIEVED TO BE RELIABLE, ITS ACCURACY AND COMPLETENESS CANNOT BE GUARANTEED NOR CERTIFIED TO.
- NO ZONING INFORMATION PROVIDED BY INSURER AT THE TIME OF SURVEY. FOLLOWING ZONING NOTES 5-7 FOR INFORMATIONAL PURPOSES ONLY AND CANNOT BE CERTIFIED TO.
- THE ABOVE DESCRIBED PROPERTY AS SHOWN HEREON CONTAINS: 116,256 SQUARE FEET OR 2,668.9 ACRES.
- SUBJECT PROPERTY HAS DIRECT ACCESS TO WEST BURLINGH STREET, A DEDICATED PUBLIC STREETS OR HIGHWAYS THROUGH AN ACCESS EASEMENT AS PLOTTED HEREON.
- THE TOTAL NUMBER OF STRIPED PARKING SPACES ON THE PROPERTY IS 159, OF WHICH 150 ARE REGULAR PARKING SPACES AND 9 ARE DESIGNATED DISABLED SPACES, AND TO THE EXTENT POSSIBLE, ARE GRAPHICALLY SHOWN HEREON.
- SUBJECT PROPERTY IS LOCATED WITHIN AN AREA HAVING A ZONE DESIGNATION X; AREAS DETERMINED TO BE OUTSIDE THE 0.2% ANNUAL CHANCE FLOOD PLAIN PER INFORMATION FROM THE FEDERAL EMERGENCY MANAGEMENT AGENCY (FEMA), ON FLOOD INSURANCE RATE MAP NO. 55079C005E, WITH A DATE OF IDENTIFICATION OF SEPTEMBER 26, 2008, IN COMMUNITY NO. 550284, THE CITY OF WAUWATOSA, WHICH IS THE COMMUNITY IN WHICH THE SUBJECT PROPERTY IS SITUATED.
- THERE IS NO OBSERVED EVIDENCE OF CURRENT EARTH MOVING WORK, BUILDING CONSTRUCTION OR BUILDING ADDITIONS ON THE PROPERTY AT TIME OF SURVEY.
- THERE IS NO INFORMATION AVAILABLE FROM THE CITY OF WAUWATOSA REGARDING PROPOSED CHANGES IN STREET RIGHT OF WAY LINES ADJOINING THE PROPERTY AT THE TIME OF SURVEY.
- ALL BEARINGS ARE REFERENCED TO THE WISCONSIN COUNTY COORDINATE SYSTEM, MILWAUKEE COUNTY.
- ELEVATIONS REFER TO THE NORTH AMERICAN VERTICAL DATUM OF 1988 (NAVD88).

TO: MSP REAL ESTATE, INC., A MINNESOTA CORPORATION, BURLIEGH NORTH TRIANGLE, LLC, AN ILLINOIS LIMITED LIABILITY COMPANY, AS TO AN UNDIVIDED 16.419% INTEREST, JES BURLIEGH NORTH TRIANGLE, LLC, AN ILLINOIS LIMITED LIABILITY COMPANY AS TO AN UNDIVIDED 30.990% INTEREST, RES BURLIEGH NORTH TRIANGLE, LLC, AN ILLINOIS LIMITED LIABILITY COMPANY AS TO AN UNDIVIDED 12.990% INTEREST, TCB BURLIEGH NORTH TRIANGLE, LLC, AN ILLINOIS LIMITED LIABILITY COMPANY AS TO AN UNDIVIDED 27.621% INTEREST, OFM BURLIEGH NORTH TRIANGLE, LLC, AN ILLINOIS LIMITED LIABILITY COMPANY AS TO AN UNDIVIDED 5.990% INTEREST, AND EEO BURLIEGH NORTH TRIANGLE, LLC, AN ILLINOIS LIMITED LIABILITY COMPANY AS TO AN UNDIVIDED 5.990% INTEREST, AS TENANTS IN COMMON, FIRST AMERICAN TITLE INSURANCE COMPANY.

THIS IS TO CERTIFY THAT THIS MAP OR PLAT AND THE SURVEY ON WHICH IT IS BASED WERE MADE IN ACCORDANCE WITH THE 2021 MINIMUM STANDARD DETAIL REQUIREMENTS FOR ALTA/NSPS LAND TITLE SURVEYS, JOINTLY ESTABLISHED AND ADOPTED BY ALTA AND NSPS, AND INCLUDES ITEMS 1, 2, 3, 4, 5, 6(1)(a), 7(a)(1)(i)(a), 8, 9, 11(a)(i), 13, 16, 17 AND 18 OF TABLE A THEREOF. THE FIELDWORK WAS COMPLETED ON JANUARY 9, 2025.

JANUARY 10, 2025
 DATE
 MICHAEL J. BERRY, P.L.S.
 REGISTERED LAND SURVEYOR S-2545

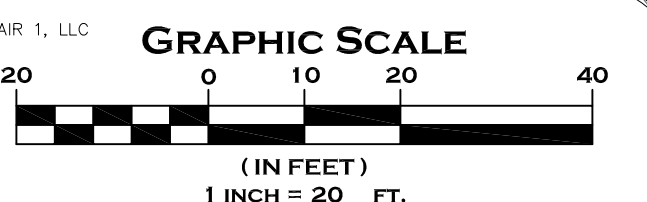


SCHEDULE B - PART II - EXCEPTIONS

- ACCESS RESTRICTIONS AND EASEMENTS AS SET FORTH ON CERTIFIED SURVEY MAP NO. 8481, AFFECTS PROPERTY AS PLOTTED HEREON.
- EASEMENTS, DEDICATIONS, RESERVATIONS, PROVISIONS, RELINQUISHMENTS, RECTALS, CERTIFICATES, AND ANY OTHER MATTERS AS PROVIDED FOR OR DELINEATED ON CERTIFIED SURVEY MAP NO. 9485 RECORDED APRIL 27, 2023, AS DOCUMENT NO. 1133078 REFERENCED IN THE LEGAL DESCRIPTION CONTAINED HEREIN. REFERENCE IS HEREBY MADE TO SAID PLAT FOR PARTICULARS. AFFECTS PROPERTY AS PLOTTED HEREON.
- EASEMENT FOR SANITARY SEWER INTO BY AND BETWEEN MOHAWK REFRIGERATING COMPANY, A P CONTROLS CORPORATION AND BRIGGS & STRATTON CORPORATION, DATED APRIL 16, 1951 AND RECORDED APRIL 19, 1951 IN VOLUME 2871 OF DEEDS ON PAGE 603, AS DOCUMENT NO. 3019445, THE TERMS BEING SO MODIFIED BY THAT INSTRUMENT RECORDED AS DOCUMENT NO. 3409545. DOES NOT AFFECT PROPERTY - NOTHING PLOTTED.
- RESTRICTIONS CONTAINED IN A WARRANTY DEED RECORDED ON JULY 12, 1954 AS DOCUMENT NO. 3309845. AFFECTS PROPERTY AS PLOTTED HEREON.
- RIGHTS OF THE CHICAGO AND NORTH WESTERN RAILWAY COMPANY, A WISCONSIN CORPORATION, UNDER AN INDENTURE RECORDED ON NOVEMBER 19, 1954, AS DOCUMENT NO. 3346559. AFFECTS PROPERTY AS PLOTTED HEREON.
- UTILITY EASEMENT GRANTED TO WISCONSIN ELECTRIC POWER COMPANY DOCUMENT NO. 3356612. MAY AFFECT PROPERTY BY LOCATION - UNABLE TO PLOT, SUBSTATION GONE.
- COVENANTS, CONDITIONS, RESTRICTIONS, EASEMENTS AND CHARGES SET FORTH IN WARRANTY DEED PROVIDED FOR IN AN INSTRUMENT RECORDED AS DOCUMENT NO. 3409545.
- RELEASE OF RESTRICTIONS CONTAINED IN AN INSTRUMENT RECORDED AS DOCUMENT NO. 3625602. RELEASE OF RESTRICTIONS CONTAINED IN AN INSTRUMENT RECORDED AS DOCUMENT NO. 3681997. AFFECTS PROPERTY BY LOCATION - NOTHING TO PLOT.
- WISCONSIN ELECTRIC POWER COMPANY RECORDED MARCH 27, 1958 ON DEED 3798, PAGE 419 AS DOCUMENT NO. 3645992. DOES NOT AFFECT PROPERTY - NOTHING TO PLOT.
- UTILITY EASEMENT GRANTED TO WISCONSIN ELECTRIC POWER COMPANY RECORDED AS DOCUMENT NO. 3645993. DOES NOT AFFECT PROPERTY - NOTHING TO PLOT.
- EASEMENT GRANTED TO WISCONSIN ELECTRIC POWER COMPANY AND WISCONSIN TELEPHONE COMPANY RECORDED AS DOCUMENT NO. 3657838. DOES NOT AFFECT PROPERTY - NOTHING TO PLOT.
- UTILITY EASEMENT TO WISCONSIN ELECTRIC POWER COMPANY AND WISCONSIN TELEPHONE COMPANY RECORDED AS DOCUMENT NO. 3683185. MAY AFFECT PROPERTY BY LOCATION - UNABLE TO PLOT, SUBSTATION GONE.
- UTILITY EASEMENT GRANTED TO WISCONSIN ELECTRIC POWER COMPANY RECORDED ON APRIL 13, 1959 AS DOCUMENT NO. 3687838. AFFECTS PROPERTY AS PLOTTED HEREON.
- EASEMENT GRANTED TO WISCONSIN ELECTRIC POWER COMPANY AND WISCONSIN TELEPHONE COMPANY RECORDED AS DOCUMENT NO. 3647693. MAY AFFECT PROPERTY BY LOCATION - UNABLE TO PLOT, SUBSTATION GONE.
- EASEMENTS GRANTED TO KOHL'S WAREHOUSE CORPORATION, A CORPORATION DULY ORGANIZED AND EXISTING UNDER AND BY VIRTUE OF THE LAWS OF THE STATE OF WISCONSIN RECORDED IN INSTRUMENT RECORDED DECEMBER 21, 1961 IN VOLUME 4203 OF DEEDS, PAGE 72 AS DOCUMENT NO. 3923550. UNABLE TO DETERMINE LOCATION - BUILDING GONE.
- WATERMAIN EASEMENTS GRANTED TO CITY OF WAUWATOSA RECORDED AS DOCUMENT NO. 3941267, DOCUMENT NO. 4078990 AND DOCUMENT NO. 4271503. DOES NOT AFFECT PROPERTY - NOTHING PLOTTED.
- EASEMENT DEED BY AND BETWEEN ROUNDY'S, INC. AND CHICAGO AND NORTHWESTERN RAILWAY COMPANY RECORDED ON NOVEMBER 5, 1962 AS DOCUMENT NO. 3985559. DOES NOT AFFECT PROPERTY - NOTHING PLOTTED.
- LIMITATIONS ON ACCESS AS SET FORTH IN AWARD OF DAMAGES RECORDED ON APRIL 7, 1966, AS DOCUMENT NO. 4247674. AFFECTS PROPERTY AS PLOTTED HEREON.
- EASEMENT GRANTED TO WISCONSIN TELEPHONE COMPANY RECORDED ON JUNE 29, 1966 AS DOCUMENT NO. 4263617. DOES NOT AFFECT PROPERTY - NOTHING TO PLOT.
- WISCONSIN GAS CORPORATION EASEMENT GRANTED TO WISCONSIN GAS COMPANY, A WISCONSIN CORPORATION RECORDED ON NOVEMBER 29, 1993 AS DOCUMENT NO. 6863226. DOES NOT AFFECT PROPERTY - NOTHING TO PLOT.
- UTILITY EASEMENT GRANTED TO WISCONSIN ELECTRIC POWER COMPANY RECORDED AS DOCUMENT NO. 4335959. DOES NOT AFFECT PROPERTY - NOTHING TO PLOT.
- WISCONSIN GAS CORPORATION EASEMENT RECORDED ON DECEMBER 10, 1993 AS DOCUMENT NO. 6869634. DOES NOT AFFECT PROPERTY - NOTHING TO PLOT.
- EASEMENT AGREEMENT RECORDED ON JANUARY 4, 2007, AS DOCUMENT NO. 9363400. MODIFICATION AND/OR AMENDMENT BY INSTRUMENT, AMENDED AND RESTATED EASEMENT AGREEMENT RECORDED ON FEBRUARY 17, 2016 AS DOCUMENT NO. 10237291.
- THIRD AMENDED AND RESTATED EASEMENT AGREEMENT FOR UNDERGROUND ELECTRIC AND COMMUNICATIONS GRANTED TO WISCONSIN ELECTRIC POWER COMPANY, A WISCONSIN CORPORATION DOING BUSINESS AS WE ENERGIES, TIME WARNER ENTERTAINMENT COMPANY, LP AND WISCONSIN BELL, INC. DOING BUSINESS AS AT&T WISCONSIN, A WISCONSIN CORPORATION RECORDED ON SEPTEMBER 30, 2014 AS DOCUMENT NO. 10399444. AFFECTS PROPERTY AS PLOTTED HEREON.
- DISTRIBUTION EASEMENT UNDERGROUND ELECTRIC AND COMMUNICATIONS GRANTED TO WISCONSIN ELECTRIC POWER COMPANY, A WISCONSIN CORPORATION DOING BUSINESS AS WE ENERGIES, TIME WARNER ENTERTAINMENT COMPANY, LP AND WISCONSIN BELL, INC. DOING BUSINESS AS AT&T WISCONSIN, A WISCONSIN CORPORATION, RECORDED ON SEPTEMBER 30, 2014 AS DOCUMENT NO. 10399443.
- AFFIDAVIT OF CORRECTION, RECORDED FEBRUARY 17, 2016 AS DOCUMENT NO. 10540720. AFFECTS PROPERTY AS PLOTTED HEREON.
- DISTRIBUTION EASEMENT GAS AND COMMUNICATIONS GRANTED TO WISCONSIN GAS LLC, A WISCONSIN LIMITED LIABILITY COMPANY DOING BUSINESS AS WE ENERGIES, TIME WARNER ENTERTAINMENT COMPANY, LP AND WISCONSIN BELL, INC. DOING BUSINESS AS AT&T WISCONSIN, A WISCONSIN CORPORATION, RECORDED ON SEPTEMBER 30, 2014 AS DOCUMENT NO. 10399444.
- AFFIDAVIT OF CORRECTION, RECORDED FEBRUARY 17, 2016 AS DOCUMENT NO. 10540721. DOES NOT AFFECT PROPERTY - NOTHING PLOTTED.
- DISTRIBUTION EASEMENT UNDERGROUND ELECTRIC AND COMMUNICATIONS GRANTED TO WISCONSIN ELECTRIC POWER COMPANY, A WISCONSIN CORPORATION DOING BUSINESS AS WE ENERGIES AND WISCONSIN BELL, INC. DOING BUSINESS AS AT&T WISCONSIN, A WISCONSIN CORPORATION, RECORDED ON MARCH 07, 2016 AS DOCUMENT NO. 10545013. DOES NOT AFFECT PROPERTY - NOTHING PLOTTED.
- WATER MAIN EASEMENT GRANTED TO CITY OF WAUWATOSA RECORDED ON NOVEMBER 21, 2016 AS DOCUMENT NO. 10625233. DOES NOT AFFECT PROPERTY - NOTHING PLOTTED.
- RECIPROCAL EASEMENT AND OPERATION AGREEMENT RECORDED ON JANUARY 17, 2017, AS DOCUMENT NO. 10641155. MODIFICATION AND/OR AMENDMENT BY INSTRUMENT, FIRST AMENDMENT TO RECIPROCAL EASEMENT AND OPERATION AGREEMENT RECORDED ON SEPTEMBER 06, 2023 AS DOCUMENT NO. 11364688. AFFECTS PROPERTY BY DESCRIPTION - GENERAL IN NATURE. NOTHING TO PLOT.
- UTILITY EASEMENT TO WISCONSIN ELECTRIC POWER COMPANY, A WISCONSIN CORPORATION AND WISCONSIN GAS LLC, A WISCONSIN LIMITED LIABILITY COMPANY, BOTH DOING BUSINESS AS WE ENERGIES, DATED JULY 7, 2015, RECORDED/FILED APRIL 24, 2018 AS DOCUMENT NO. 10770298. DOES NOT AFFECT PROPERTY - NOTHING PLOTTED.
- ACCESS ROAD EASEMENT RECORDED ON SEPTEMBER 06, 2023 AS DOCUMENT NO. 11364583. AFFECTS PROPERTY AS PLOTTED HEREON.
- SANITARY AND STORM SEWER EASEMENT AGREEMENT: DATED: AUGUST 29, 2023 PARTIES: BURLIEGH 45, LLC, AN ILLINOIS LIMITED LIABILITY COMPANY, TCB BURLIEGH RETAIL, LLC, AN ILLINOIS LIMITED LIABILITY COMPANY, BURLIEGH MAYFAIR, LLC, AN ILLINOIS LIMITED LIABILITY COMPANY, TCB BURLIEGH MAYFAIR, LLC, AN ILLINOIS LIMITED LIABILITY COMPANY, BURLIEGH NORTH TRIANGLE, LLC, AN ILLINOIS LIMITED LIABILITY COMPANY, RES BURLIEGH NORTH TRIANGLE, LLC, AN ILLINOIS LIMITED LIABILITY COMPANY, RES BURLIEGH NORTH TRIANGLE, LLC, AN ILLINOIS LIMITED LIABILITY COMPANY, OFM BURLIEGH NORTH TRIANGLE, LLC, AN ILLINOIS LIMITED LIABILITY COMPANY, EEO BURLIEGH NORTH TRIANGLE, LLC, AN ILLINOIS LIMITED LIABILITY COMPANY AND TCB BURLIEGH RETAIL, LLC, AN ILLINOIS LIMITED LIABILITY COMPANY. RECORDED: SEPTEMBER 06, 2023 INSTRUMENT NO.: 11364584. AFFECTS PROPERTY AS PLOTTED HEREON.
- EASEMENT FOR WATER MAIN GRANTED TO THE CITY OF WAUWATOSA, A MUNICIPAL CORPORATION BY INSTRUMENT RECORDED IN APRIL 30, 2024 AS DOCUMENT NO. 11416247. DOES NOT AFFECT PROPERTY - NOTHING PLOTTED.

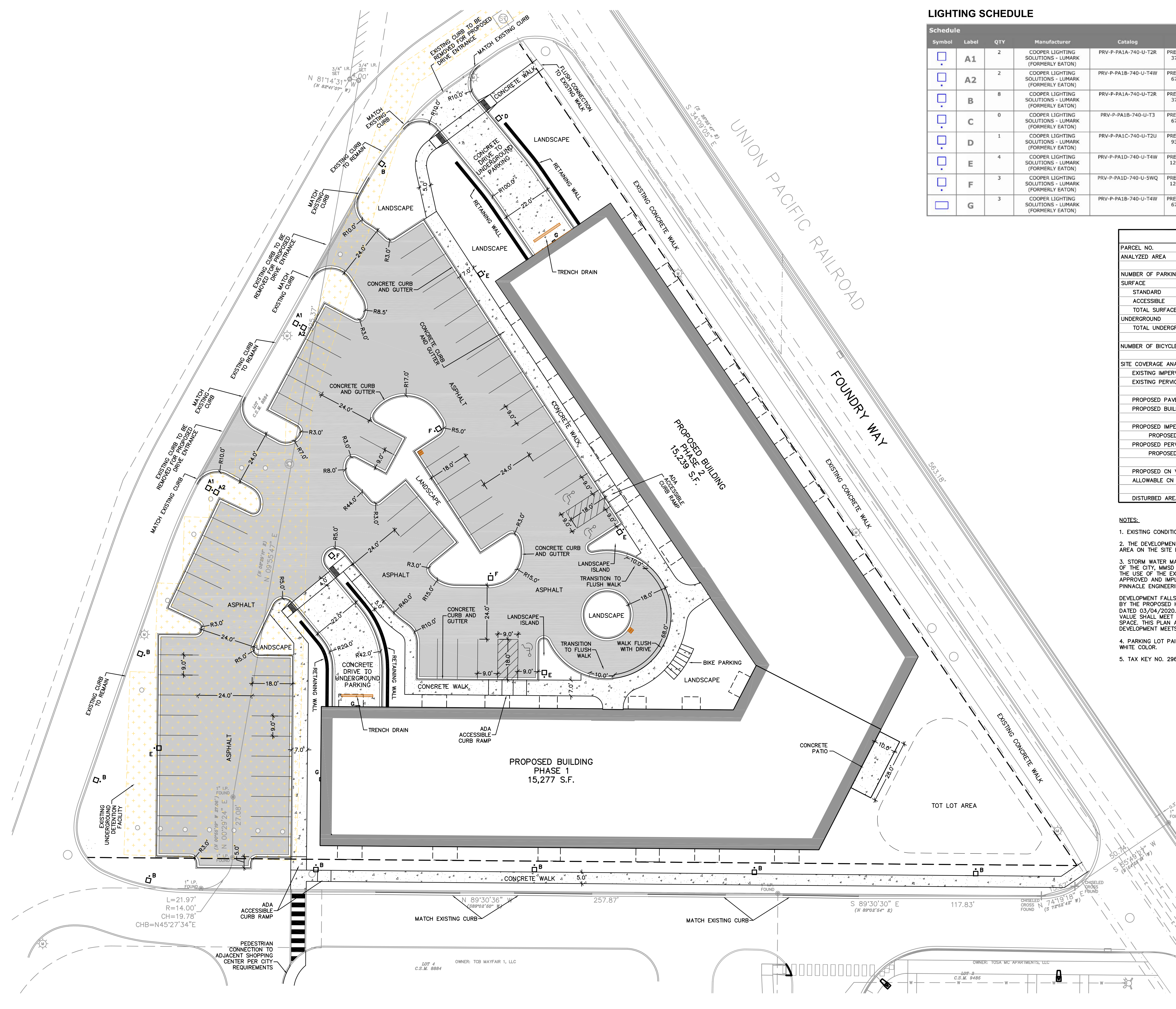
LEGEND

— SAN	— STORM SEWER	— W	— BURIED GAS LINE	— TEL	— BURIED FIBER OPTIC LINE	— OVERHEAD UTILITY LINES	— BURIED CABLE TELEVISION LINES	— COMB	— COMBINATION SEWER	— WOOD FENCE	— METAL FENCE	— 99A.32	— DOOR SILL ELEVATION	— 99B	— FIRE DEPARTMENT CONNECTION
— ELECTRIC TRANSFORMER	— ELECTRIC METER	— ELECTRIC BOX AT GRADE	— TELEPHONE PEDESTAL	— STORM MANHOLE	— TV PEDESTAL	— GAS METER	— AIR CONDITIONER	— WOOD SIGN	— METAL LIGHT POLE	— WOOD LIGHT POLE	— MAIL BOX	— BOLLARD	— FIBER OPTIC MARKER	— GUY WIRE	
— HYDRANT	— WATER VALVE	— GAS VALVE	— MANHOLE	— CATCH BASIN	— CATCH INLET	— CATCH BASIN	— METAL SIGN	— FLAG POLE	— BOLLARD	— FIBER OPTIC MARKER	— GUY WIRE	— YARD LIGHT	— GUY WIRE	— GUY WIRE	



ALTA/NSPS LAND TITLE SURVEY
 FOR
MSP - MAYFAIR NORTH
 W. BURLIEGH ST.
 WAUWATOSA, WI

DRAWN BY:	DHS	DATE:	JAN. 10, 2025
CHECKED BY:	MJB	DRAWING NO.:	AL - 0
CSE JOB NO.:	24-147	SHEET	1 OF 1



LIGHTING SCHEDULE

Symbol	Label	QTY	Manufacturer	Catalog	Description	LLF	Input Power
[Symbol]	A1	2	COOPER LIGHTING SOLUTIONS - LUMARK (FORMERLY EATON)	PRV-P-PA1A-740-U-T2R	PREVAIL AREA LUMINAIRE (1) 70 CRI, 4000K, 375mA LIGHT ENGINE WITH 24 LEDS AND TYPE II ROADWAY OPTICS	1	30.7
[Symbol]	A2	2	COOPER LIGHTING SOLUTIONS - LUMARK (FORMERLY EATON)	PRV-P-PA1B-740-U-T4W	PREVAIL AREA LUMINAIRE (1) 70 CRI, 4000K, 670mA LIGHT ENGINE WITH 24 LEDS AND TYPE IV WIDE OPTICS	1	52.8
[Symbol]	B	8	COOPER LIGHTING SOLUTIONS - LUMARK (FORMERLY EATON)	PRV-P-PA1A-740-U-T2R	PREVAIL AREA LUMINAIRE (1) 70 CRI, 4000K, 375mA LIGHT ENGINE WITH 24 LEDS AND TYPE II ROADWAY OPTICS	1	30.7
[Symbol]	C	0	COOPER LIGHTING SOLUTIONS - LUMARK (FORMERLY EATON)	PRV-P-PA1B-740-U-T3	PREVAIL AREA LUMINAIRE (1) 70 CRI, 4000K, 670mA LIGHT ENGINE WITH 24 LEDS AND TYPE III OPTICS	1	52.8
[Symbol]	D	1	COOPER LIGHTING SOLUTIONS - LUMARK (FORMERLY EATON)	PRV-P-PA1C-740-U-T2U	PREVAIL AREA LUMINAIRE (1) 70 CRI, 4000K, 930mA LIGHT ENGINE WITH 24 LEDS AND TYPE II U OPTICS	1	72.1
[Symbol]	E	4	COOPER LIGHTING SOLUTIONS - LUMARK (FORMERLY EATON)	PRV-P-PA1D-740-U-T4W	PREVAIL AREA LUMINAIRE (1) 70 CRI, 4000K, 1200mA LIGHT ENGINE WITH 24 LEDS AND TYPE IV WIDE OPTICS	1	93.4
[Symbol]	F	3	COOPER LIGHTING SOLUTIONS - LUMARK (FORMERLY EATON)	PRV-P-PA1D-740-U-S1WQ	PREVAIL AREA LUMINAIRE (1) 70 CRI, 4000K, 1200mA LIGHT ENGINE WITH 24 LEDS AND TYPE V WIDE OPTICS	1	93.4
[Symbol]	G	3	COOPER LIGHTING SOLUTIONS - LUMARK (FORMERLY EATON)	PRV-P-PA1B-740-U-T4W	PREVAIL WALL LUMINAIRE (1) 70 CRI, 4000K, 670mA LIGHT ENGINE WITH 24 LEDS AND TYPE IV WIDE OPTICS	1	52.8

SITE INFORMATION

PARCEL NO.	2961001000
ANALYZED AREA	99,076 S.F. (2.274 ACRES)
NUMBER OF PARKING STALLS	
SURFACE	
STANDARD	64
ACCESSIBLE	3
TOTAL SURFACE	67
UNDERGROUND	
TOTAL UNDERGROUND	86
NUMBER OF BICYCLE STALLS:	12
SITE COVERAGE ANALYSIS	
EXISTING IMPERVIOUS SURFACE AREA	49,731 SF (1.142 ACRES)
EXISTING PERVIOUS SURFACE AREA	49,346 SF (1.133 ACRES)
PROPOSED PAVED AREA	38,668 SF (0.888 ACRES)
PROPOSED BUILDING FOOTPRINT	30,516 SF (0.701 ACRES)
PROPOSED IMPERVIOUS SURFACE AREA	69,184 SF (1.588 ACRES)
PROPOSED IMPERVIOUS SITE PERCENTAGE	70%
PROPOSED PERVIOUS SURFACE AREA	29,892 SF (0.686 ACRES)
PROPOSED PERVIOUS SITE PERCENTAGE	30%
PROPOSED CN VALUE	91
ALLOWABLE CN VALUE	92
DISTURBED AREA	99,076 SF (2.274 ACRES)

NOTES:

- EXISTING CONDITIONS BASED ON SURVEY BY CAPITOL SURVEY ENTERPRISE
- THE DEVELOPMENT WILL RESULT IN AN INCREASE IN IMPERVIOUS SURFACE AREA ON THE SITE BY 0.45 ACRES.
- STORM WATER MANAGEMENT FOR THIS SITE, MEETING THE REQUIREMENTS OF THE CITY, MMSD AND WI DNR 151 FOR REDEVELOPMENT WILL BE MET BY THE USE OF THE EXISTING UNDERGROUND DETENTION FACILITY DESIGNED, APPROVED AND IMPLEMENTED FROM THE PLAN & REPORT FURNISHED BY PINNACLE ENGINEERING GROUP DATED 07/10/2020.
- DEVELOPMENT FALLS UNDER THE A4 SUBCATCHMENT LIMITS AS DELINEATED BY THE PROPOSED HYDROLOGY EXHIBIT BY PINNACLE ENGINEERING GROUP DATED 03/04/2020. SUBCATCHMENT A4 SPECIFIES THAT THE SITE CN VALUE SHALL MEET THE 92 VALUE REQUIREMENT AND PROVIDE 25% GREEN SPACE. THIS PLAN AND SITE AREA ANALYSIS SHOWS THAT THIS DEVELOPMENT MEETS AND EXCEED THESE REQUIREMENTS.
- PARKING LOT PAINT STRIPING SHALL BE A MINIMUM OF 3" AND IN A WHITE COLOR.
- TAX KEY NO. 2961001000



CREATE THE VISION TELL THE STORY

jsdinc.com
 MILWAUKEE REGIONAL OFFICE
 W238 N1610 BUSSE ROAD, SUITE 100
 WAUKESHA, WISCONSIN 53188
 P. 262.513.0666

CLIENT:
MSP REAL ESTATE

CLIENT ADDRESS:
**7901 West National Avenue
 West Allis, WI, 53214**

PROJECT:
MSP Mayfair North

PROJECT LOCATION:
**Foundry Way
 Wauwatosa, Milwaukee County
 Wisconsin, 53222**

PLAN MODIFICATIONS:

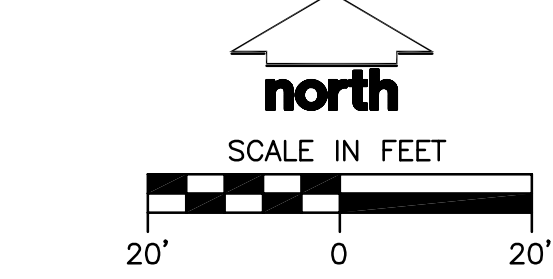
#	Date:	Description:
1	02/11/2025	DRB SUBMITTAL
2		
3		
4		
5		
6		
7		
8		
9		
10		
11		
12		
13		
14		
15		

Designed By: PJS
 Reviewed By: CAJ
 Approved By:

SHEET TITLE:
SITE PLAN

SHEET NUMBER:
C2.0

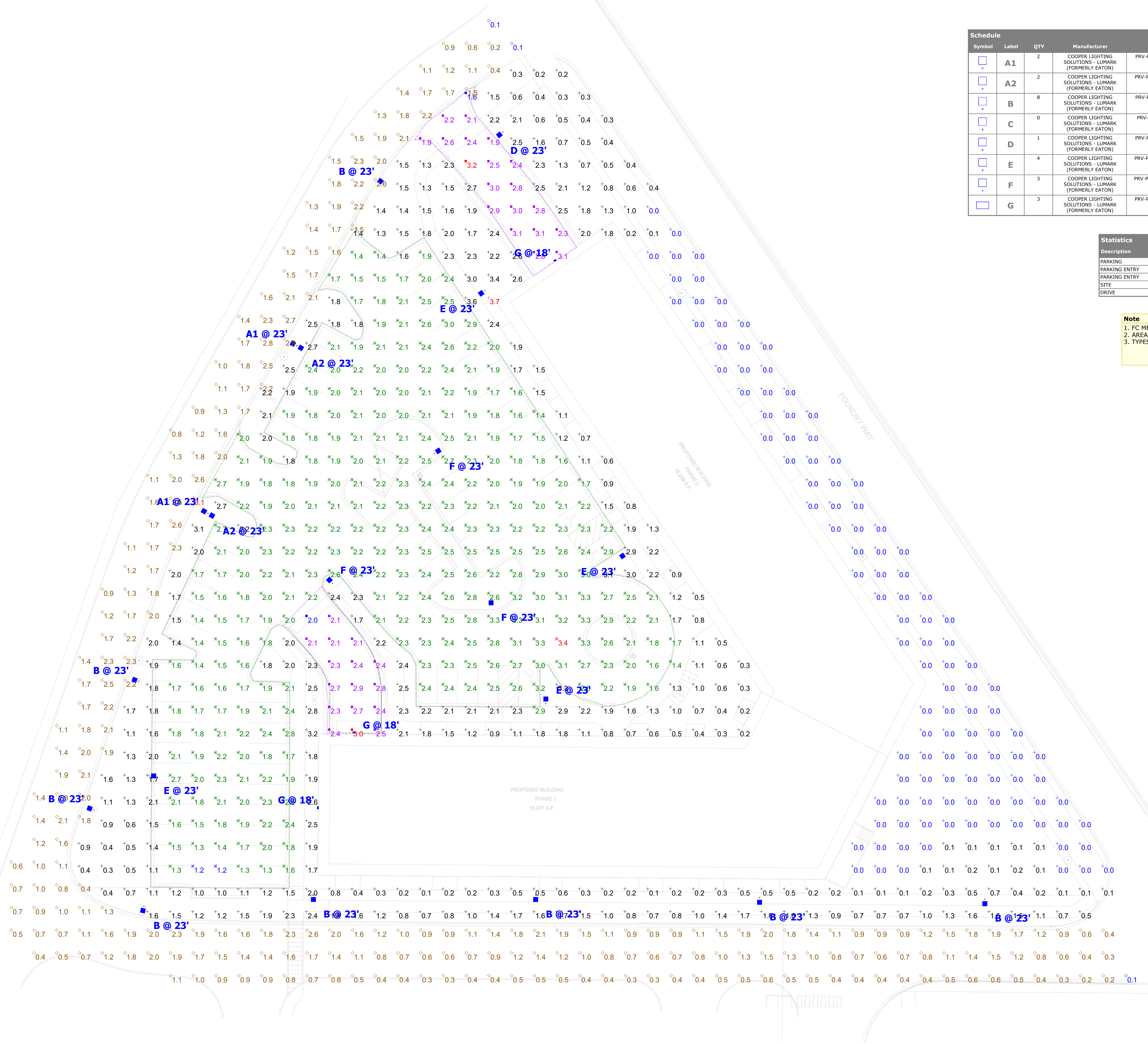
JSD PROJECT NO: 25-15011



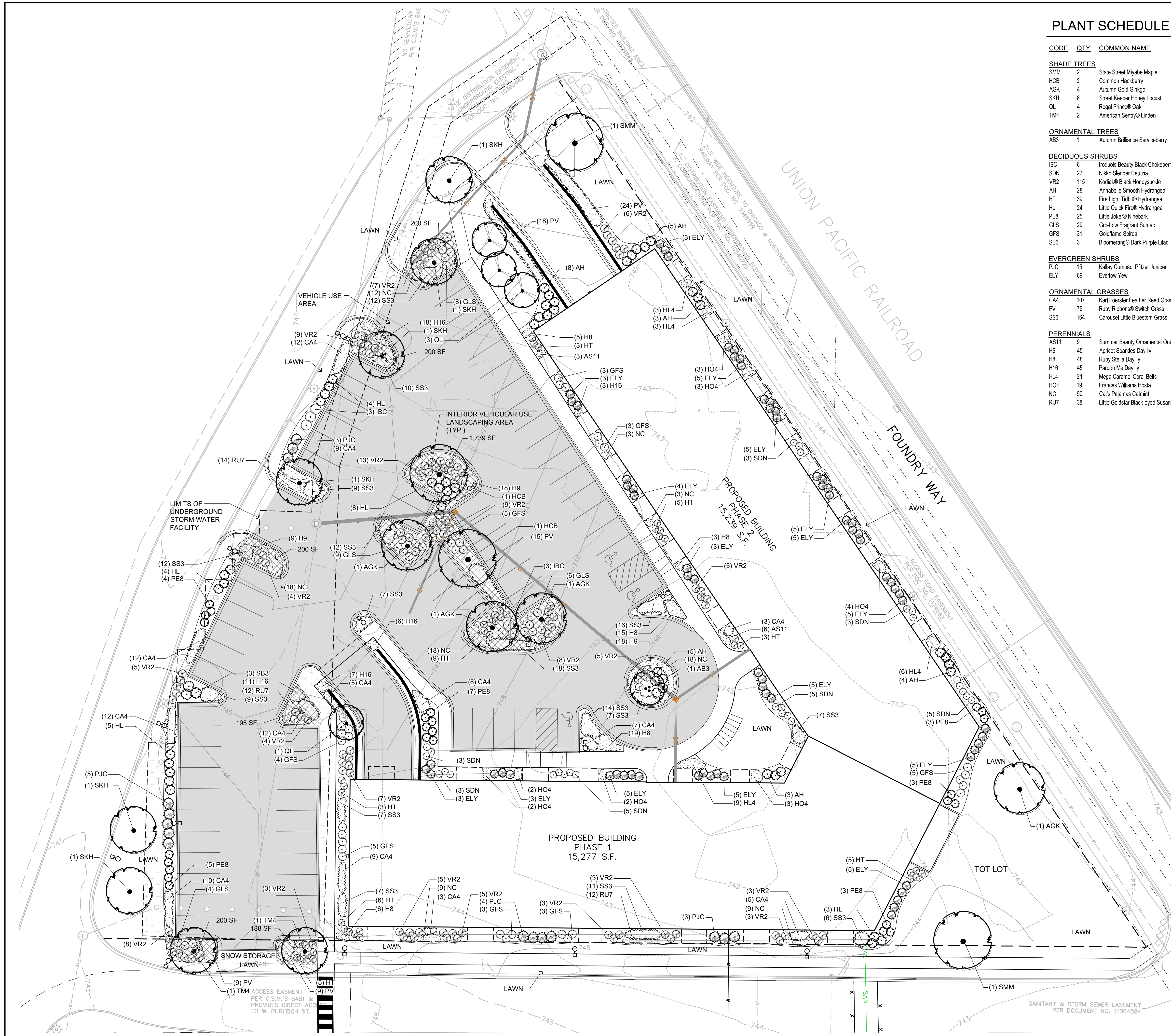
Symbol	Label	QTY	Manufacturer	Catalog	Description	LLF	Input Power
	A1	2	COOPER LIGHTING SOLUTIONS - LUMARK (FORMERLY EATON)	PRV-P-PA1A-740-U-T2R	PREVAIL AREA LUMINAIRE (1) 70 CRI, 4000K, 375mA LIGHT ENGINE WITH 24 LEDS AND TYPE II ROADWAY OPTICS	1	30.7
	A2	2	COOPER LIGHTING SOLUTIONS - LUMARK (FORMERLY EATON)	PRV-P-PA1B-740-U-T4W	PREVAIL AREA LUMINAIRE (1) 70 CRI, 4000K, 670mA LIGHT ENGINE WITH 24 LEDS AND TYPE IV WIDE OPTICS	1	52.8
	B	8	COOPER LIGHTING SOLUTIONS - LUMARK (FORMERLY EATON)	PRV-P-PA1A-740-U-T2R	PREVAIL AREA LUMINAIRE (1) 70 CRI, 4000K, 375mA LIGHT ENGINE WITH 24 LEDS AND TYPE II ROADWAY OPTICS	1	30.7
	C	0	COOPER LIGHTING SOLUTIONS - LUMARK (FORMERLY EATON)	PRV-P-PA1B-740-U-T3	PREVAIL AREA LUMINAIRE (1) 70 CRI, 4000K, 670mA LIGHT ENGINE WITH 24 LEDS AND TYPE III OPTICS	1	52.8
	D	1	COOPER LIGHTING SOLUTIONS - LUMARK (FORMERLY EATON)	PRV-P-PA1C-740-U-T2U	PREVAIL AREA LUMINAIRE (1) 70 CRI, 4000K, 930mA LIGHT ENGINE WITH 24 LEDS AND TYPE II U OPTICS	1	72.1
	E	4	COOPER LIGHTING SOLUTIONS - LUMARK (FORMERLY EATON)	PRV-P-PA1D-740-U-T4W	PREVAIL AREA LUMINAIRE (1) 70 CRI, 4000K, 1200mA LIGHT ENGINE WITH 24 LEDS AND TYPE IV WIDE OPTICS	1	93.4
	F	3	COOPER LIGHTING SOLUTIONS - LUMARK (FORMERLY EATON)	PRV-P-PA1D-740-U-SWQ	PREVAIL AREA LUMINAIRE (1) 70 CRI, 4000K, 1200mA LIGHT ENGINE WITH 24 LEDS AND TYPE V WIDE OPTICS	1	93.4
	G	3	COOPER LIGHTING SOLUTIONS - LUMARK (FORMERLY EATON)	PRV-P-PA1B-740-U-T4W	PREVAIL WALL LUMINAIRE (1) 70 CRI, 4000K, 670mA LIGHT ENGINE WITH 24 LEDS AND TYPE IV WIDE OPTICS	1	52.8

Statistics						
Description	Symbol	Avg	Max	Min	Max/Min	Avg/Min
PARKING	X	2.2 fc	3.4 fc	1.2 fc	2.8:1	1.8:1
PARKING ENTRY	■	2.4 fc	3.0 fc	2.0 fc	1.5:1	1.2:1
PARKING ENTRY	■	2.6 fc	3.2 fc	1.6 fc	2.0:1	1.6:1
SITE	+	1.5 fc	3.7 fc	0.0 fc	N/A	N/A
DRIVE	◇	1.3 fc	3.1 fc	0.1 fc	31.0:1	13.0:1

Note
 1. FC MEASURED AT 0' AFG
 2. AREA LUMINAIRES MOUNTED TO 20'-0" POLE WITH 3'-0" CONCRETE BASE
 3. TYPES A1 AND A2 ARE MOUNTED AT 180 DEGREES ON ONE POLE



Plan View
 Scale - 1" = 20ft



PLANT SCHEDULE SITE

CODE	QTY	COMMON NAME	BOTANICAL NAME	INSTALLED SIZE	ROOT	SPACING	MATURE SIZE
SHADE TREES							
SMM	2	State Street Miyabe Maple	Acer miyabei 'Morton' State Stree	2 1/2" CAL	B&B	Spacing as shown	35' x 35'
HCB	2	Common Hackberry	Celtis occidentalis	2 1/2" CAL	B&B	Spacing as shown	50' x 50'
AGK	4	Autumn Gold Ginkgo	Ginkgo biloba 'Autumn Gold' TM	2 1/2" CAL	B&B	Spacing as shown	45' x 30'
SKH	6	Street Keeper Honey Locust	Gleditsia triacanthos 'Draves'	2 1/2" CAL	B&B	Spacing as shown	45' x 20'
QL	4	Regal Prince® Oak	Quercus robur x bicolor 'Long'	2" CAL	CONT	Spacing as shown	45' x 18'
TM4	2	American Sentry® Linden	Tilia americana 'McSentry'	2 1/2" CAL	B&B	Spacing as shown	55' x 25'
ORNAMENTAL TREES							
AB3	1	Autumn Brilliance Serviceberry	Amelanchier x grandiflora 'Autumn Brilliance'	7" HT	B&B	Spacing as shown	20' x 20'
DECIDUOUS SHRUBS							
IBC	6	Iroquois Beauty Black Chokeberry	Aronia melanocarpa 'Morton'	18" HT	CONT	Spacing as shown	2.5' x 4.5'
SDN	27	Nikko Slender Deutzia	Deutzia gracilis 'Nikko'	15" HT	CONT	Spacing as shown	2' x 4'
VR2	115	Kodiak® Black Honeysuckle	Diervilla rivularis 'SMNDRSP'	15" HT	CONT	Spacing as shown	3' x 4'
AH	28	Annabelle Smooth Hydrangea	Hydrangea arborescens 'Annabelle'	18" HT	CONT	Spacing as shown	4' x 4'
HT	39	Fire Light® Tidbit® Hydrangea	Hydrangea paniculata 'SMNH-PK'	15" HT	CONT	Spacing as shown	2.5' x 3'
HL	24	Little Joker® Fire® Hydrangea	Hydrangea paniculata 'SMHPLOF'	18" HT	CONT	Spacing as shown	4' x 4'
PE8	25	Little Joker® Ninebark	Physocarpus opulifolius 'Hoogi021'	18" HT	CONT	Spacing as shown	3.5' x 3.5'
GLS	29	Go-Low Fragrant Sumac	Rhus aromatica 'Go-Low'	15" SPD	CONT	Spacing as shown	2.5' x 6'
GFS	31	Goldflame Spirea	Spiraea japonica 'Goldflame'	15" HT	CONT	Spacing as shown	2.5' x 3.5'
SB3	3	Bloomerang® Dark Purple Lilac	Syringa x 'SMSJBP7'	18" HT	CONT	Spacing as shown	5' x 5'
EVERGREEN SHRUBS							
PJC	15	Kalypso Compact Pfitzer Juniper	Juniperus chinensis 'Kallays Compact'	18" SPD	CONT	Spacing as shown	2' x 5'
ELY	69	Everlow Yew	Taxus x media 'Everlow'	15" HT	B&B	Spacing as shown	1.5' x 5'
ORNAMENTAL GRASSES							
CA4	107	Karl Foerster Feather Reed Grass	Calamagrostis x acutiflora 'Karl Foerster'	1 GAL	CONT	24" Spacing	5' x 2'
PV	75	Ruby Ribbons® Switch Grass	Panicum virgatum 'RR1'	1 GAL	CONT	30" Spacing	3' x 2.5'
SS3	164	Carousel Little Bluestem Grass	Schizachyrium scoparium 'Carousel'	1 GAL	CONT	24" Spacing	2.5' x 2.5'
PERENNIALS							
AS11	9	Summer Beauty Ornamental Onion	Allium x 'Summer Beauty'	1 GAL	POT	18" Spacing	1.5' x 1.5'
H9	45	Apricot Sparkles Daylily	Hemerocallis x 'Apricot Sparkles'	1 GAL	POT	18" Spacing	1.5' x 1.5'
H8	48	Ruby Stella Daylily	Hemerocallis x 'Ruby Stella'	1 GAL	POT	18" Spacing	1.5' x 1.5'
H16	45	Pardon Me Daylily	Hemerocallis x 'Pardon Me'	1 GAL	POT	18" Spacing	1.5' x 1.5'
HL4	21	Mega Caramel Coral Bells	Heuchera x 'Mega Caramel'	1 GAL	POT	24" Spacing	1.5' x 2'
HO4	19	Frances Williams Hosta	Hosta sieboldiana 'Frances Williams'	1 GAL	POT	30" Spacing	2' x 4'
NC	90	Cat's Pajamas Catmint	Nepeta x 'Cat's Pajamas'	1 GAL	POT	18" Spacing	1.25' x 1.5'
RU7	38	Little Goldstar Black-eyed Susan	Rutbeckia fulgida var. sullivanti 'Little Goldstar'	1 GAL	POT	18" Spacing	1.25' x 1.5'

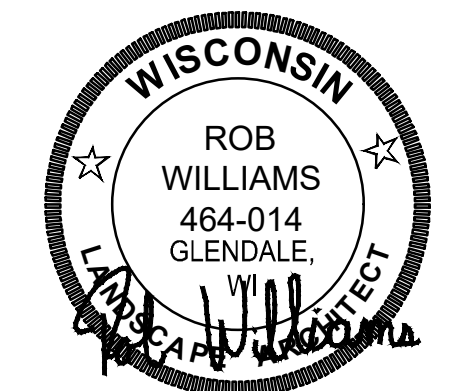
LANDSCAPE CALCULATIONS
 PERIMETER VEHICULAR USE AREA - WHEN PARKING IS WITHIN 100LF OF RIGHT OF WAY AND MORE THAN 5 PARKING STALLS
 REQUIRED: LANDSCAPE STRIP MIN OF 7' DEPTH MUST BE PROVIDED BETWEEN VEHICLE USE AREA AND ROW MUST INCLUDE 3 DECIDUOUS TREES AND 10 SHRUBS PER 50LF OF VEHICULAR USE FRONTAGE
 NA-

INTERIOR VEHICULAR USE AREA LANDSCAPE: 5 OR MORE PARKING STALLS
 AREA = PARKING, DRIVE AISLES, DRIVEWAYS AND DRIVE THROUGH LANES (DOES NOT INCLUDE PARKING IN A STRUCTURE)

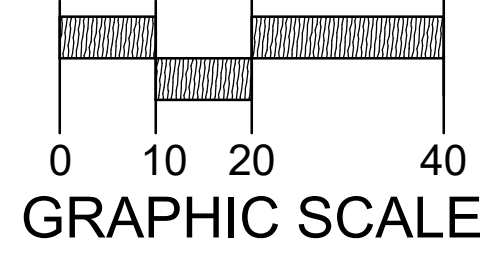
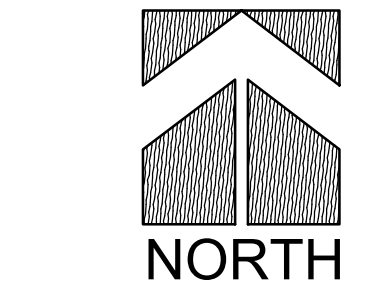
VEHICLE USE AREA = 29,198 - LANDSCAPE AREA REQUIRED = 2,920 SF
 PROVIDED: 2,922 SF

REQUIRED: AT LEAST 10% OF USE AREA MUST BE LANDSCAPED
 ISLANDS AND MEDIANS MUST HAVE AT LEAST 135 SF AND BE 10' WIDE AREAS OUTSIDE THE VUA DON'T COUNT TOWARD INTERIOR CORNERS MAX 200 SF. IF AT LEAST 1 SHADE TREE IS INCLUDED
 1 SHADE TREE PER 180 SF OF INTERIOR LANDSCAPE AREA
 2,920 / 180 = 17 TREES REQUIRED
 PROVIDED: 9 TREES. ADDITIONAL TREES LOCATED AROUND PERIMETER, UNDER GROUND STORMWATER FACILITY LIMITS PLACEMENT WITHIN ISLANDS.

SNOW SHALL NOT BE PUSHED ONTO LANDSCAPE ISLANDS.



DATE: 02-11-2025



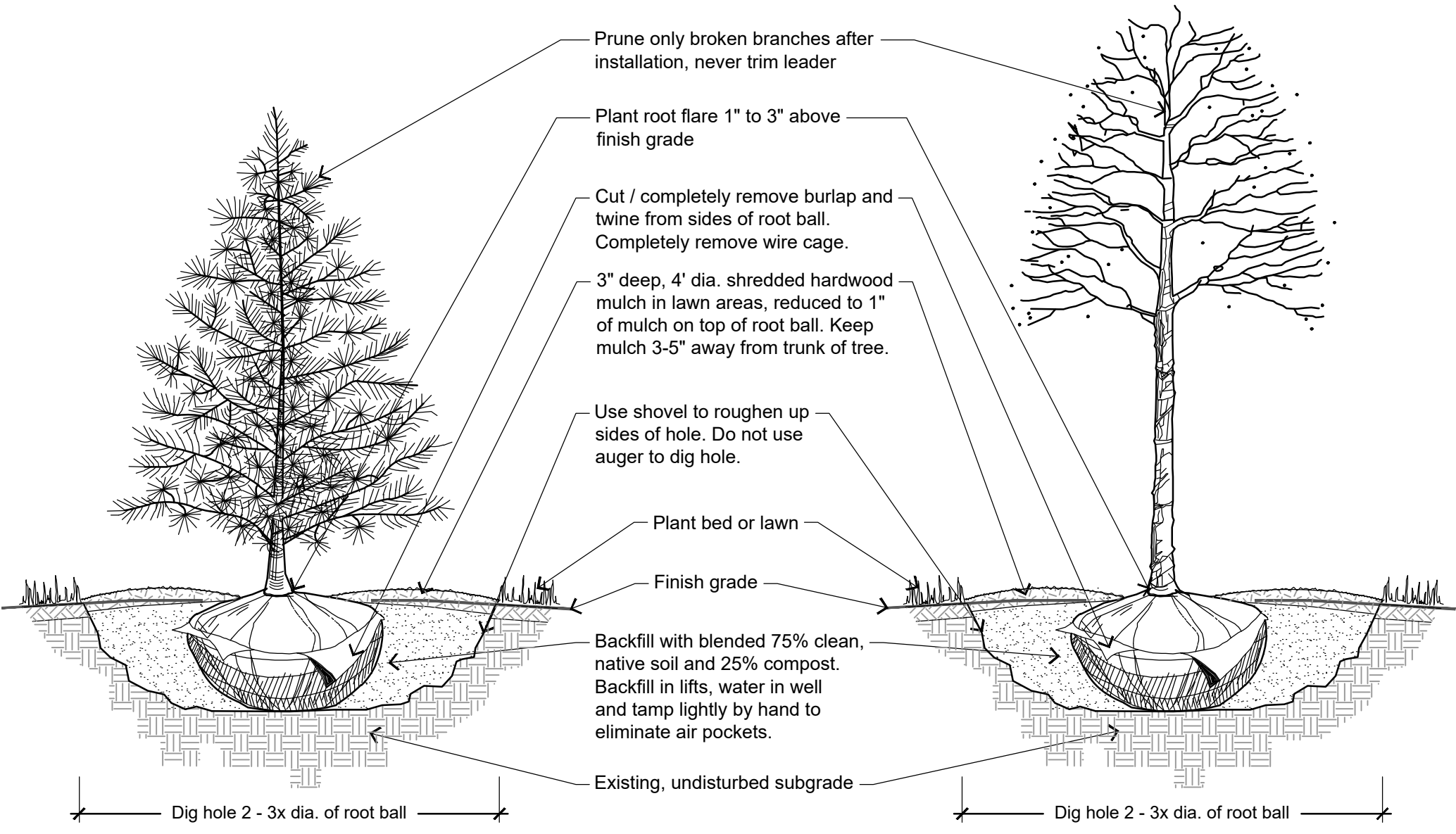
Know what's below. Call before you dig.

R.A. SMITH, INC. ASSUMES NO RESPONSIBILITY FOR DAMAGES, LIABILITY OR COSTS RESULTING FROM CHANGES OR ALTERATIONS MADE TO THIS PLAN WITHOUT THE EXPRESSED WRITTEN CONSENT OF R.A. SMITH, INC.

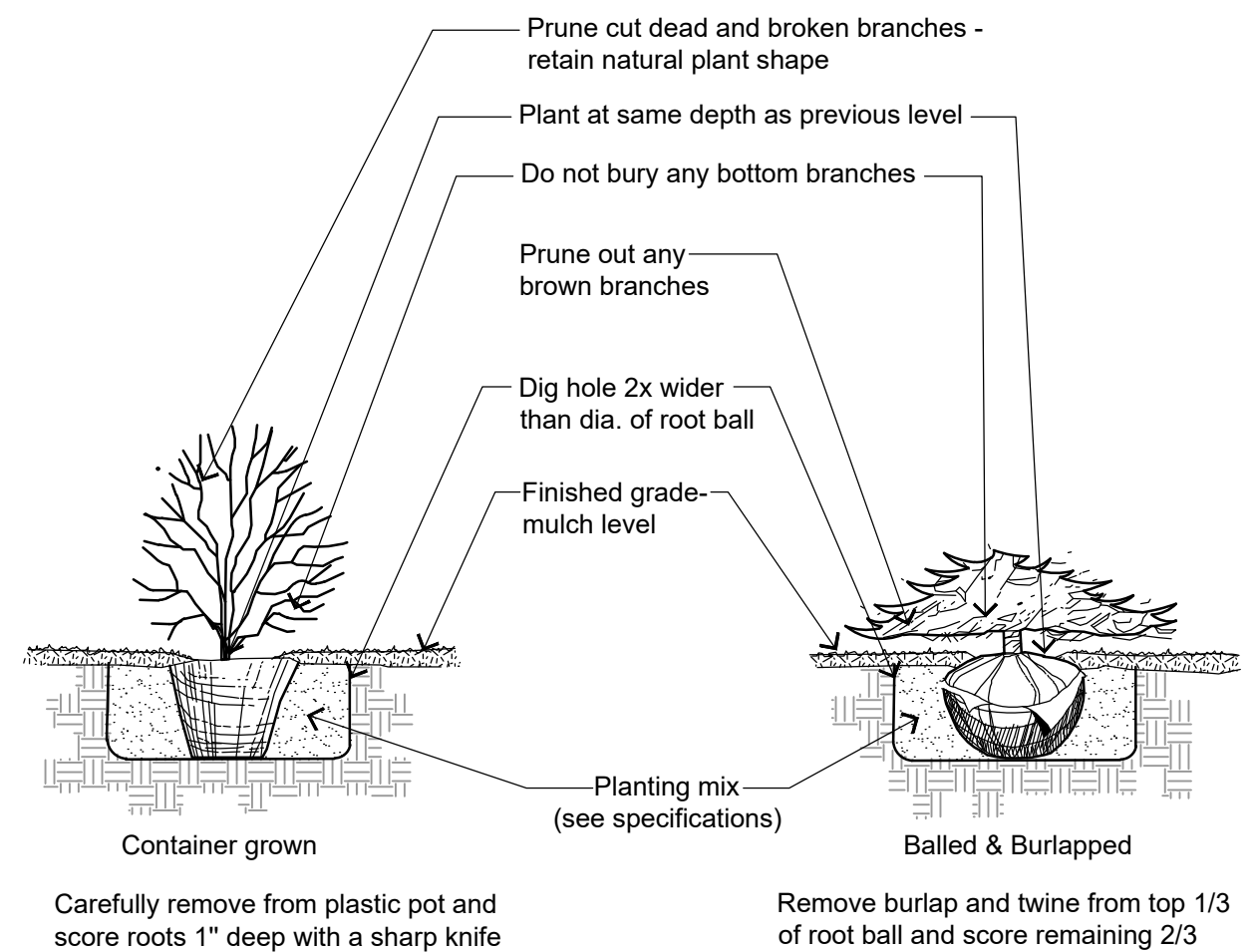
ALL COPYRIGHTS TO THESE DRAWINGS ARE RESERVED. THEY MAY NOT BE COPIED, CHANGED, OR ASSIGNED TO ANY THIRD PARTY IN ANY MANNER WITHOUT OBTAINING THE EXPRESSED WRITTEN PERMISSION OF R.A. SMITH, INC.

DESCRIPTION	
DATE	
16745 W. Bluemound Road Brookfield, WI 53005-5938 (262) 781-1000 rasmith.com	
raSmith CREATIVITY BEYOND ENGINEERING	
Brookfield, WI Milwaukee, WI Appleton, WI Madison, WI Cedarburg, WI Naperville, IL Irvine, CA	
MSP - MAYFAIR NORTH CITY OF WAUWATOSA	SITE LANDSCAPE PLAN
© COPYRIGHT 2025 R.A. Smith, Inc. DATE: 02/11/25 SCALE: 1" = 20' JOB NO. 3250016 PROJECT MANAGER: ROB WILLIAMS, PLA DESIGNED BY: REW CHECKED BY: REW	
SHEET NUMBER L100	

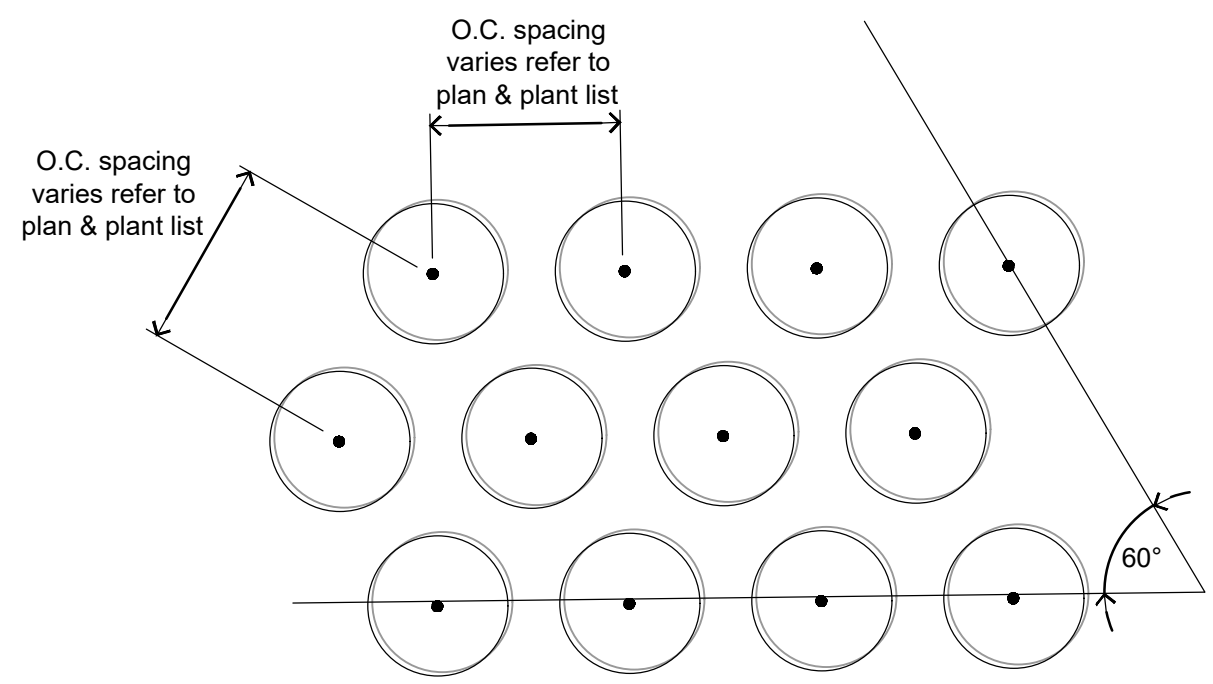
PLANTING DETAILS



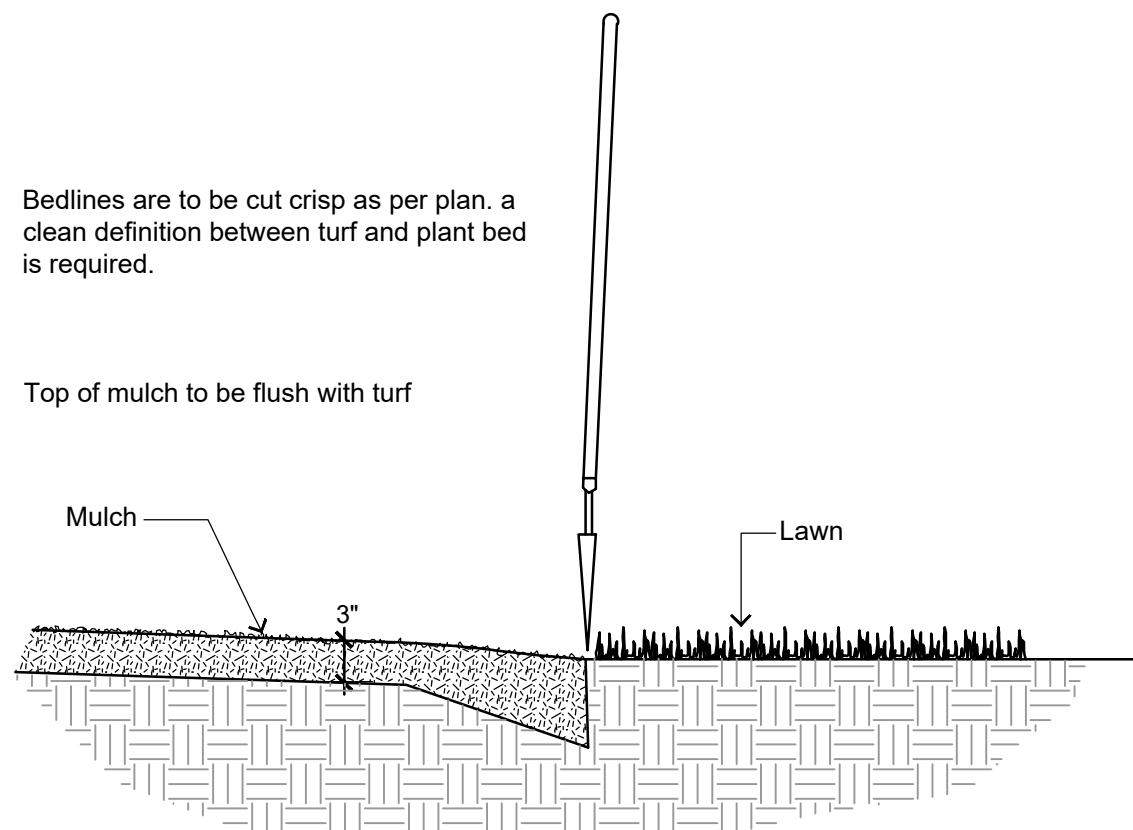
1 TREE PLANTING DETAIL
NOT TO SCALE
P-PL-TREE-07



2 SHRUB PLANTING DETAIL
NOT TO SCALE



3 PLANTING LAYOUT
NOT TO SCALE
P-PL-PL-01



4 SHOVEL CUT PLANT BED EDGING DETAIL
NOT TO SCALE
P-PL-BDEG-01

GENERAL LANDSCAPE NOTES

- Contractor responsible for contacting public and private underground utility locating service to have site marked prior to any digging or earthwork.
- Contractor to verify all plant quantities shown on plant list and verify with plan. Report any discrepancies immediately to general contractor.
- All plantings shall comply with standards as described in American Standard of Nursery Stock - ANSI Z60.1 (latest version). General contractor or owner's representative reserves the right to inspect and potentially reject any plants that are inferior, compromised, undersized, diseased, improperly transported, installed incorrectly or damaged.
- Any potential plant substitutions must be submitted in writing to the general contractor and approved by the owner's representative or landscape architect prior to installation. All plants must be installed as per sizes and quantities shown on plant material schedule, unless approved by the owner's representative or landscape architect. Any potential changes to sizes shown on plan and appropriate cost credits / adjustments must be submitted in writing to the general contractor and approved by the owner's representative or landscape architect prior to installation.
- The subsequent requirements regarding topsoil should be coordinated between the general contractor, grading contractor and landscape contractor.
- Subgrade areas shall be graded to within 1", more or less, of proposed subgrade. Deviations shall not be consistent in one direction.
- Topsoil shall be placed to meet proposed finished grade. Planting islands to be backfilled with clean topsoil free of debris (per note below) to a minimum depth of 18" by general / grading contractor to insure long term plant health. All other landscaped areas to receive a minimum depth of 6" of clean topsoil (per note below).
- Topsoil shall be: screened existing stockpiled topsoil, existing in-place soil, or screened soil from an off-site source that will support plant growth, and meets the following requirements. Clean topsoil shall be free of rocks, coarse fragments, gravel, sticks, trash, roots, debris over 3/4" and any substances harmful to plant growth. It also must be free of plants or plant parts of any noxious weeds. Topsoil shall contain 3 to 5 percent decomposed organic matter and a pH between 5.5 and 7.0.
- Planting beds and parking lot islands: Landscape contractor is responsible for ensuring that unwanted material (gravel, debris, roots and other extraneous material harmful to plant growth) has been removed from the topsoil and for the fine grading of all landscaped areas. The fine grading of planting beds and parking lot islands may require additional topsoil to bring to finish grade, allowing for mulch depth. Crown all planting islands and planting beds not adjacent to buildings, a minimum of 6" to provide proper drainage, unless otherwise specified. All other finished landscaped areas to be smooth, uniform and provide positive drainage away from structures and pavement.
- Seeded areas: to receive a settled minimum depth of 6" of blended, prepared and non-compacted topsoil. Landscape contractor is responsible for excavation and removal of unwanted material (gravel, debris, roots and other extraneous material harmful to plant growth) to the specified depth, supplementing with additional topsoil (if necessary) and the fine grading of all seeded areas.
- Tree planting (see planting detail): plant all trees slightly higher than finished grade at root flare. Remove excess soil from top of root ball, if needed. An auger is not an acceptable method of digging tree planting holes. Scarify side walls of tree pit prior to installation. Once tree has been placed into the hole, it is at the correct depth and vertical alignment and will no longer be moved; brace root ball by tamping soil around the lower portion of the root ball. Remove and discard wire / rope, burlap and support wire from the sides of root ball. Backfill pit with 75% existing soil removed from excavation and 25% compost blended prior to backfilling holes, in six-inch lifts. Lightly tamp each lift using foot pressure or hand tools to settle backfill, support the tree and eliminate voids. Do not over compact or use mechanical or pneumatic tamping equipment. Discard any gravel, heavy clay or stones. When hole has been backfilled to three-quarters of its depth, pour water around the root ball and allow to soak into soil to settle the soil. Continue backfilling until soil is brought to grade level.
Provide a 3" deep, 4 ft. diameter shredded hardwood bark mulch ring around all trees in lawn areas, reduced to 1" deep on top of root ball. Keep mulch 3"-5" away from trunk of tree. Trees that are installed incorrectly will be replaced at the time and expense of the landscape contractor. Trees too large for two people to lift in and out of holes, shall be placed with sling. Do not rock the trees in holes to raise them.
- Shrub planting (see planting detail): all shrubs to be pocket planted with a mix of 75% existing soil removed from excavation and 25% compost, blended prior to backfilling holes. When hole is two-thirds full, shrubs shall be watered thoroughly and water left to soak in before proceeding.
- Mulching: all tree and shrub planting beds to receive a 3" deep layer of high-quality shredded hardwood bark mulch (not enviromulch or wood chips). Mulch shall be uniform in size, color, quality and overall appearance. Mulch shall be free of debris, large wood chunks, soil, rocks, weeds, invasive plant parts or seeds and any other material injurious to plant growth. All perennial and ornamental grass planting areas to receive a 2" layer and groundcover areas a 1-2" layer of the same mulch. Do not mulch annual flower beds (if applicable). Do not allow mulch to contact plant stems and tree trunks.
- Edging: edge all planting beds with a 4" deep spaded edge (shovel cut or mechanical). Bedlines are to be cut crisp, as per plan. A clean definition between lawn area and plant bed is required.
- Plant bed preparation: the soil in all perennial, ornamental grass, annual and groundcover areas shall be amended with compost prior to plant installation. Spread a 2" layer of compost (per note below) on top of clean topsoil and rototill to a depth of approximately 8".
- Compost shall be stable, and weed-free organic matter. It shall be resistant to further decomposition and free of compounds, such as ammonia and organic acids, in concentrations toxic to plant growth. The compost shall contain no pathogens or other chemical contaminants and meet the requirements of WisDNR S100 Compost Specification.
- Lawn installation for all seeded turfgrass areas: remove / kill off any existing unwanted vegetation prior to seeding. Prepare the topsoil and seed bed by removing all surface stones 1" or larger and grading lawn areas to finish grade. Apply a starter fertilizer and specified seed, ensure good seed to soil contact, and provide mulch covering suitable to germinate and establish turf. Provide seed and fertilizer mix information to general contractor prior to installation. Erosion control measures are to be used in swales and on steep grades, where applicable. Methods of installation may vary at the discretion of the landscape contractor on his/her responsibility to establish and guarantee a smooth, uniform, quality turf. If straw mulch is used as a mulch covering, a tackifier may be necessary to avoid wind damage. Marsh hay containing reed canary grass is not acceptable as a mulch covering.
An acceptable quality turf is defined as having no more than 5% of the total area with bare spots larger than 1/2 square foot and uniform coverage throughout all turf areas.
- Seed mix for lawn areas - use only a premium quality seed mix. Premium blend seed mix (or equivalent): 50% blended bluegrass, 25% creeping red fescue, 25% perennial rye applied at 5 lbs per 1,000 SF or at recommended rates from supplier. Provide seed specifications to general contractor prior to installation.
- Lawn installation for all sodded turfgrass areas(optional): remove / kill off any existing unwanted vegetation prior to sodding. Prepare the topsoil and sod bed by removing all surface stones 1" or larger and grading lawn areas to finish grade, allowing for thickness of sod. Use only premium sod blend according to TPI (revised 1995) and ASPA standards. Install sod uniformly with staggered joints, laid tightly end to end and side to side. Roll sod with a walk behind roller and water immediately upon installation to a 3" depth. Stake any sod installed on steep slopes or in swales, etc. Landscape contractor is responsible to provide a smooth, uniform, healthy turf. Landscape contractor shall repair and re-sod any eroded, sunken or bare spots (larger than 1/2 square foot) until acceptance by owner.
- The landscape contractor is responsible for the watering and maintenance of all landscape areas at time of planting and throughout construction until the substantial completion of the installation and acceptance by the owner. This includes all trees, shrubs, evergreens, perennials, ornamental grasses, and seeded slopes and turf grass areas. Maintenance includes mowing, weeding, watering, mulching, edging, pruning, deadheading, raking leaves / debris, sweeping up grass clippings, fertilizing and maintaining turf areas (including applying pre and post emergent herbicides), and any other needs that are required to keep the landscape healthy and well maintained.
- Substantial Completion of Landscape: after the landscape has been installed, the landscape contractor is responsible to conduct a final review with the owner's representative and the general contractor to ensure that all plans and specifications have been met. After this review, the landscape will be considered to be installed in substantial completion unless otherwise noted by the owner's representative and/or general contractor. Any items missing or incomplete, shall be corrected within 30 days. The landscape contractor shall provide written watering and maintenance instructions for the new plantings and lawn to the owner.
- Warranty and replacements: All plants (trees, evergreens, shrubs, perennials, ornamental grasses and groundcovers) shall be warranted by the landscape contractor to be in healthy and flourishing condition for a period of one year from the date of substantial completion. This assumes the owner performs required maintenance (i.e. regular watering) after substantial completion of the landscape. Only one replacement per plant will be required during the warranty period, except for losses or replacements due to failure to comply with specified requirements. Replacements shall be plants of the same variety specified on the plan and closely match adjacent specimens in size. The landscape contractor is responsible for keeping a documented record of which plants have been replaced during the warranty period.

DESCRIPTION

DATE

16745 W. Bluemound Road
Brookfield, WI 53005-5938
(262) 781-1000
rasmith.com

raSmith
CREATIVITY BEYOND ENGINEERING

Brookfield, WI | Milwaukee, WI | Appleton, WI | Madison, WI
Cedarburg, WI | Naperville, IL | Irvine, CA

MSP - MAYFAIR NORTH
CITY OF WAUWATOSA

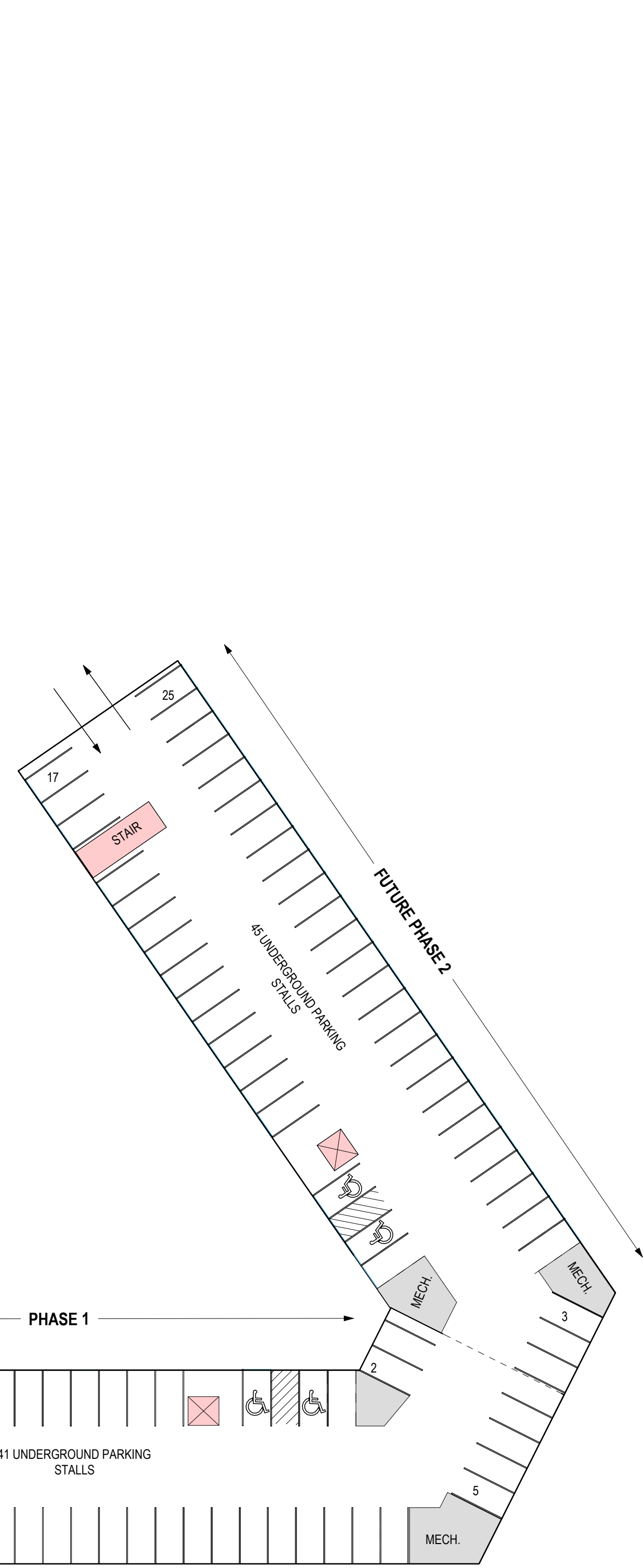
LANDSCAPE NOTES AND DETAILS

© COPYRIGHT 2025
R.A. Smith, Inc.
DATE: 02/11/25
SCALE: -
JOB NO. 3250016
PROJECT MANAGER:
ROB WILLIAMS, PLA
DESIGNED BY: REW
CHECKED BY: REW

SHEET NUMBER
L200

**Know what's below.
Call before you dig.**

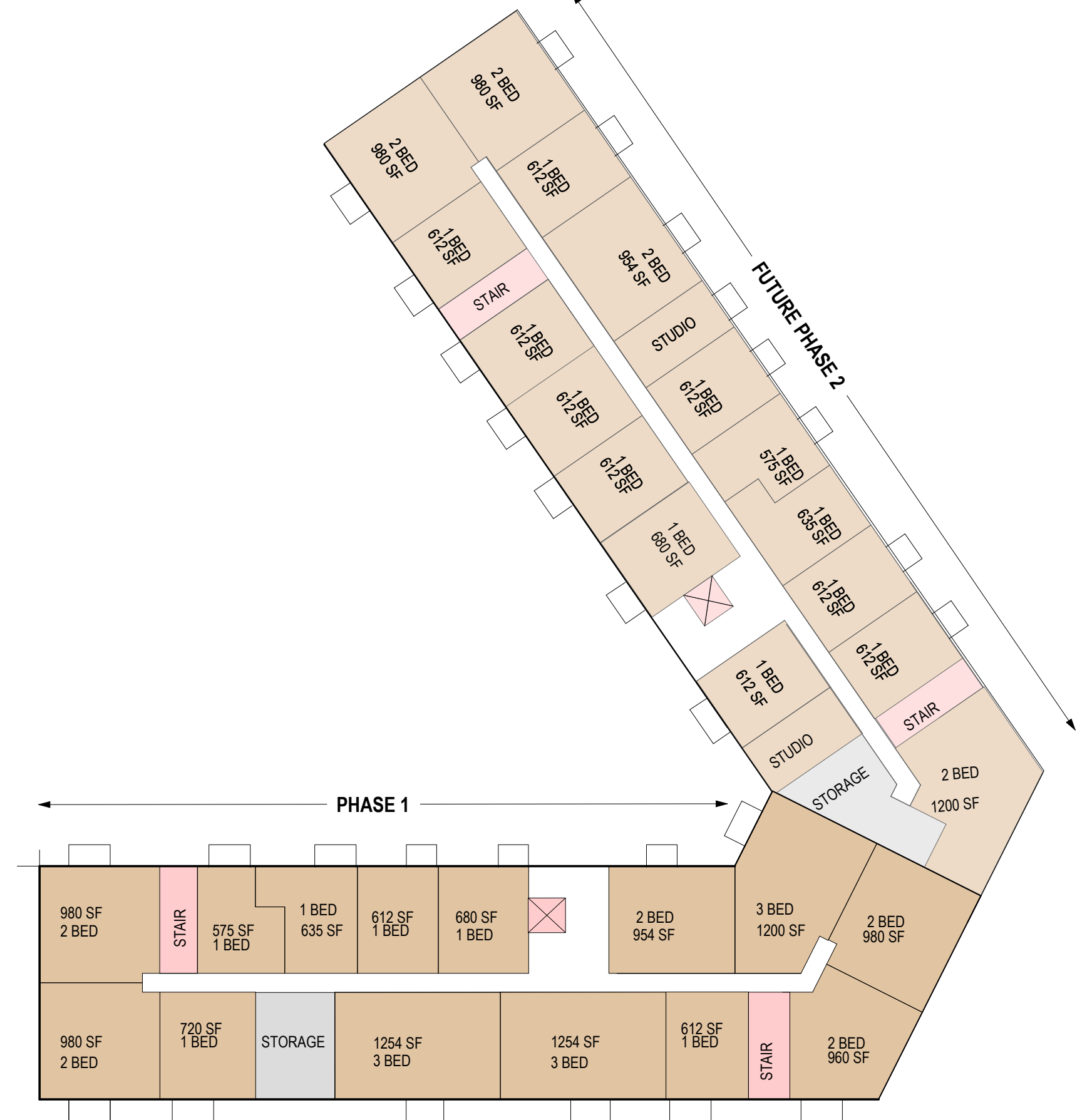
R.A. SMITH, INC. ASSUMES NO RESPONSIBILITY FOR DAMAGES, LIABILITY OR COSTS RESULTING FROM CHANGES OR ALTERATIONS MADE TO THIS PLAN WITHOUT THE EXPRESSED WRITTEN CONSENT OF R.A.SMITH, INC.
ALL COPYRIGHTS TO THESE DRAWINGS ARE RESERVED. THEY MAY NOT BE COPIED, CHANGED, OR ASSIGNED TO ANY THIRD PARTY IN ANY MANNER WITHOUT OBTAINING THE EXPRESSED WRITTEN PERMISSION OF R.A.SMITH, INC.



BASEMENT



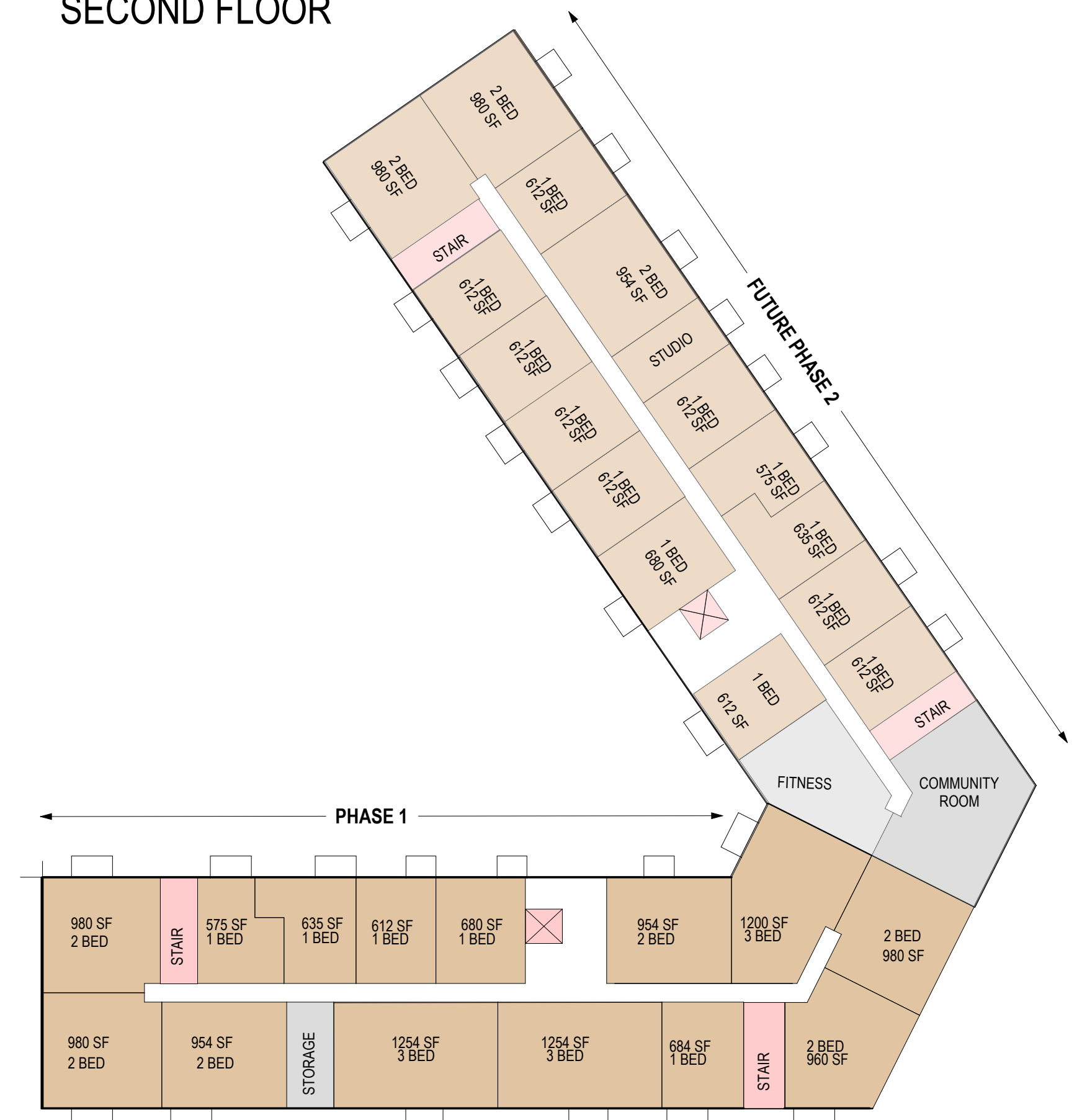
FIRST FLOOR PLAN



SECOND FLOOR



THIRD FLOOR



FOURTH FLOOR

FINISH LEGEND	
FCP - AW	FIBER CEMENT PANEL - ARCTIC WHITE
FCP - RE	FIBER CEMENT PANEL - RICH ESPRESSO
FCLS - PG	FIBER CEMENT LAP SIDING - PEARL GREY
FCLS - AW	FIBER CEMENT LAP SIDING - ARCTIC WHITE
BRK - BD	BLACK DIAMOND BRICK VENEER
WDMS - CH	WOOD METAL SIDING - DARK CHERRY



1 SOUTH ELEVATION - PHASE 1
3/32" = 1'-0"



2 NORTH ELEVATION - PHASE 1
3/32" = 1'-0"

DIMENSION 
Madison Design Group

architecture · interior design · planning
6515 Grand Teton Plaza, Suite 120, Madison, Wisconsin 53719
p608.829.4444 f608.829.4445 dimensionmadison.com

A2.0
MAYFAIR 2

FOUNDRY WAY, WAUWATOSA, WI

CONCEPT ELEVATIONS

02/11/2025

FINISH LEGEND	
FCP - AW	FIBER CEMENT PANEL - ARCTIC WHITE
FCP - RE	FIBER CEMENT PANEL - RICH ESPRESSO
FCLS - PG	FIBER CEMENT LAP SIDING - PEARL GREY
FCLS - AW	FIBER CEMENT LAP SIDING - ARCTIC WHITE
BRK - BD	BLACK DIAMOND BRICK VENEER
WDMS - CH	WOOD METAL SIDING - DARK CHERRY



2 SOUTH WEST ELEVATION - PHASE 2
3/32" = 1'-0"



1 NORTH EAST ELEVATION - PHASE 2
3/32" = 1'-0"



FINISH LEGEND	
FCP - AW	FIBER CEMENT PANEL - ARCTIC WHITE
FCP - RE	FIBER CEMENT PANEL - RICH ESPRESSO
FCLS - PG	FIBER CEMENT LAP SIDING - PEARL GREY
FCLS - AW	FIBER CEMENT LAP SIDING - ARCTIC WHITE
BRK - BD	BLACK DIAMOND BRICK VENEER
WDM - CH	WOOD METAL SIDING - DARK CHERRY

2 SOUTH EAST CORNER ELEVATION
3/32" = 1'-0"



1 NORTH WEST CORNER ELEVATION - PHASE 2
3/32" = 1'-0"



3 WEST CORNER ELEVATION - PHASE 1
3/32" = 1'-0"



NORTH EAST VIEW



SOUTHWEST VIEW

Signage
24" illuminated channel letters

XXXX Signage
6" flat cut aluminum, painted white, located on canopy over entrance

XXXX Signage
6" flat cut aluminum, painted white, located on canopy over entrance

Ground Directional
5'h x 3'w, Non-lit

Signage
24" illuminated channel letters

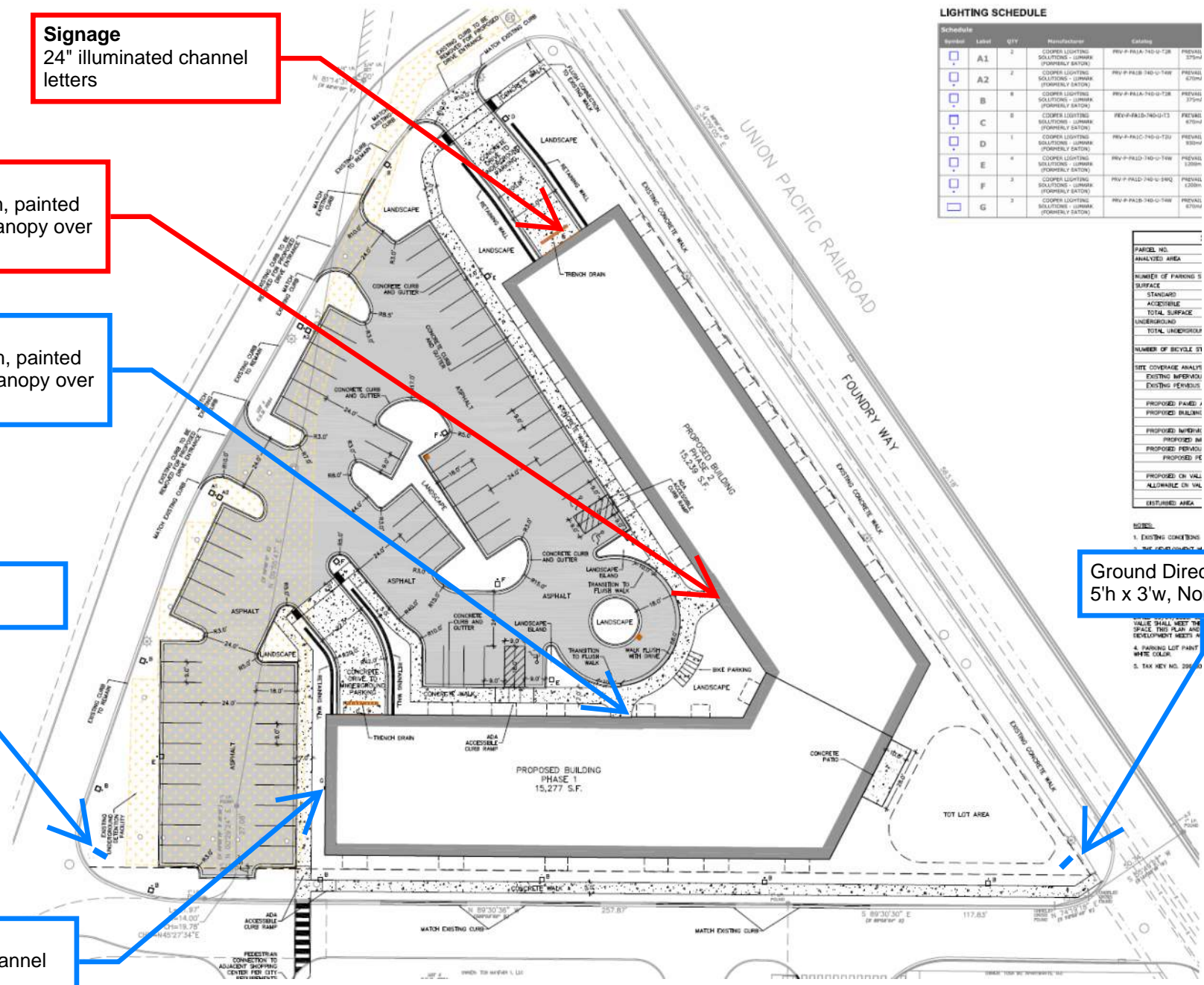
LIGHTING SCHEDULE

Schedule	Symbol	Label	QTY	Manufacturer	Catalog	REVISED
A1	[Symbol]	A1	2	COOPER LIGHTING SOLUTIONS - LUMINA (FORMERLY BAYCON)	REV-F-PAL-740-U-T28	REVISED 07/20/14
A2	[Symbol]	A2	2	COOPER LIGHTING SOLUTIONS - LUMINA (FORMERLY BAYCON)	REV-F-PAL-740-U-T48	REVISED 07/20/14
B	[Symbol]	B	8	COOPER LIGHTING SOLUTIONS - LUMINA (FORMERLY BAYCON)	REV-F-PAL-740-U-T28	REVISED 07/20/14
C	[Symbol]	C	8	COOPER LIGHTING SOLUTIONS - LUMINA (FORMERLY BAYCON)	REV-F-PAL-740-U-T13	REVISED 07/20/14
D	[Symbol]	D	1	COOPER LIGHTING SOLUTIONS - LUMINA (FORMERLY BAYCON)	REV-F-PAL-740-U-T20	REVISED 08/04/14
E	[Symbol]	E	4	COOPER LIGHTING SOLUTIONS - LUMINA (FORMERLY BAYCON)	REV-F-PAL-740-U-T48	REVISED 07/20/14
F	[Symbol]	F	3	COOPER LIGHTING SOLUTIONS - LUMINA (FORMERLY BAYCON)	REV-F-PAL-740-U-T42	REVISED 07/20/14
G	[Symbol]	G	2	COOPER LIGHTING SOLUTIONS - LUMINA (FORMERLY BAYCON)	REV-F-PAL-740-U-T48	REVISED 07/20/14

PANEL NO.	
ANALYZED AREA	
NUMBER OF PARKING SPACES	
SURFACE	STANDARD
ACCESSIBLE	
TOTAL SURFACE	
UNDERGROUND	
TOTAL UNDERGROUND	
NUMBER OF BICYCLE STOPS	
SITE COVERAGE ANALYSIS	
EXISTING INFRASTRUCTURE	
EXISTING PERMITS	
PROPOSED PARKING	
PROPOSED BUILDING	
PROPOSED INFRASTRUCTURE	
PROPOSED PERMITS	
PROPOSED FEES	
PROPOSED ON VAL	
ALLOWABLE ON VAL	
ESTIMATED AREA	

MODEL
1. EXISTING CONDITIONS
2. PROPOSED CONDITIONS
3. PROPOSED CONDITIONS
4. PARKING LOT PAINT WHITE COLOR
5. TAX KEY NO. 200-00

Ground Directional
5'h x 3'w, Non-lit



Client

Project

- A - Channel Letters
- B - Channel Letters
- C - Vinyl Graphics
- D - Vinyl Banner

Consultant **Design Art**
Kyle Sanger Chris Clark

Channel Letter Specifications

- Face-Lit Channel Letters
- Painted to Match Building

Area

- 38.66 sqft

Color Key

- ① ■ SW 9570 Iron Clad
- ② □ White Face-Lit
- ③ □
- ④ □
- ⑤ □

Job Number

128219 A

Creation Date

2-3-2025

Revision Date

Revision Number

File Path

C:\Users\Clark\La Crosse Sign Company\Job Files - Documents\T\The Oxford and The Regent\WAWATOSA\125290-Building Letters and Door Vinyl\Design



Face-Lit Channel Letters
Returns and Trim Cap
to Match Building

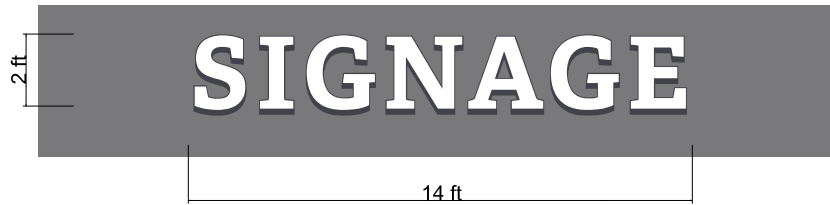


③ WEST CORNER ELEVATION - PHASE 1

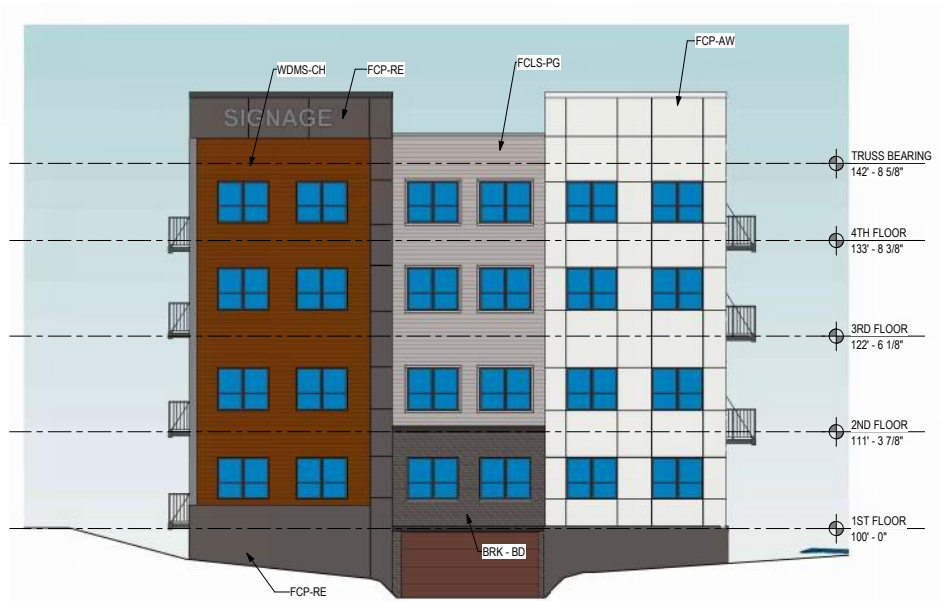
Approved by: _____ Date: _____ Landlord: _____ Date: _____

*Colors on sketch are only a representation, actual color of finished product may differ from this sketch.

*To make the best use of standard sized materials and control costs the size of the finished product may vary slightly.



Face-Lit Channel Letters
Returns and Trim Cap
to Match Building



1 NORTH WEST CORNER ELEVATION - PHASE 2

Approved by: _____ Date: _____ Landlord: _____ Date: _____

*Colors on sketch are only a representation, actual color of finished product may differ from this sketch.
*To make the best use of standard sized materials and control costs the size of the finished product may vary slightly.

La Crosse Sign Group
lacrossesign.com
1450 Oak Forest Drive Onalaska, WI 54650 608-781-1450
2242 Mustang Way Madison, WI 53718 608-222-5353
2502 Melby Street Eau Claire, WI 54703 715-835-6189

This artwork is copyright La Crosse Sign Group and may not otherwise be used without permission. It is the property of La Crosse Sign Group and must be returned to them upon request.

Client

- Project**
A - Channel Letters
B - Channel Letters
C - Vinyl Graphics
D - Aluminum Address Numbers

Consultant Design Art
Kyle Sanger Chris Clark

Channel Letter Specifications
- Face-Lit Channel Letters
- Painted to Match Building

Area
- 39.5 sqft

- Color Key**
- 1 ■ SW 9570 Iron Clad
 - 2 □ White Face-Lit
 - 3 □
 - 4 □
 - 5 □

Job Number
128219 B
Creation Date
2-3-2025
Revision Date **Revision Number**

File Path
C:\Users\ClarkC\La Crosse Sign Company\Job Files - Documents\T\The Oxford and The Regent\WAWATOSA\125290-Building Letters and Door Vinyl\Design

This artwork is copyright La Crosse Sign Group and may not otherwise be used without permission. It is the property of La Crosse Sign Group and must be returned to them upon request.

Client

Project

- A - Channel Letters
- B - Channel Letters
- C - Post & Panel Directional Signs
- D - Aluminum Address Numbers

Consultant **Design Art**
Kyle Sanger Chris Clark

Post and Panel Specifications

- 3M Vinyl Lettering
- Aluminum Construction
- Painted to Match Building
- Direct Embed

Area

-

Color Key

- 1 White - 10
- 2 SW 9570 Iron Clad
- 3
- 4
- 5

Job Number

128219 C

Creation Date

2-3-2025

Revision Date

Revision Number

File Path

C:\Users\ClarkC\La Crosse Sign Company\Job Files - Documents\T\The Oxford and The Regent\WAWATOSA\125290-Building Letters and Door Vinyl\Design



Approved by: _____ Date: _____ Landlord: _____ Date: _____

*Colors on sketch are only a representation, actual color of finished product may differ from this sketch.

*To make the best use of standard sized materials and control costs the size of the finished product may vary slightly.

Client

Project

- A - Channel Letters
- B - Channel Letters
- C - Post & Panel Directional Signs
- D - Aluminum Address Numbers

Consultant Design Art
Kyle Sanger Chris Clark

Address Number Specifications

- Flat Cut and Painted Aluminum
- Stud Mounted Flush

Area

-

Color Key

- ① White
- ②
- ③
- ④
- ⑤

Job Number

128219 D

Creation Date

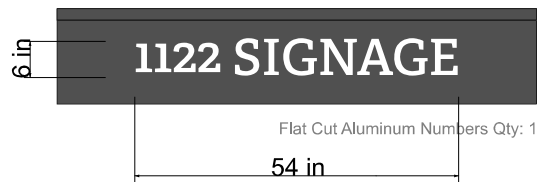
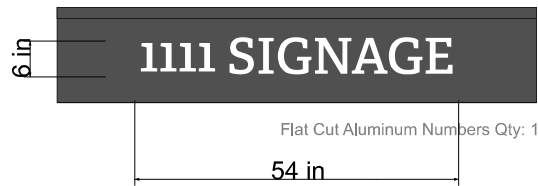
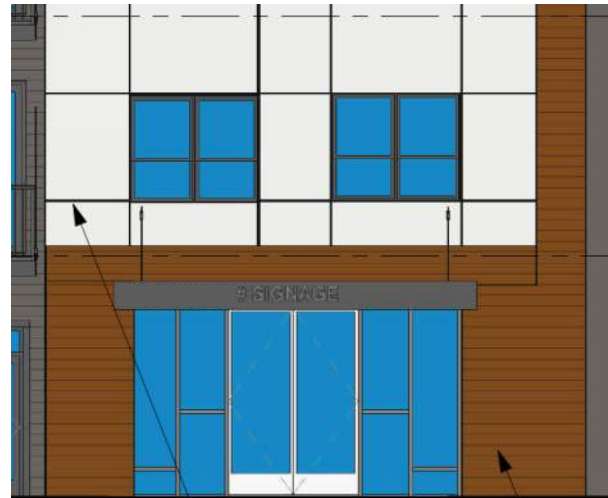
2-3-2025

Revision Date

Revision Number

File Path

C:\Users\Clark\La Crosse Sign Company\Job Files - Documents\The Oxford and The Regent\WAWATOSA\125290-Building Letters and Door Vinyl\Design



Approved by: _____ Date: _____ Landlord: _____ Date: _____

*Colors on sketch are only a representation, actual color of finished product may differ from this sketch.

*To make the best use of standard sized materials and control costs the size of the finished product may vary slightly.



Phone: (262) 790-8400
Fax: (262) 790-5555
2030 South 116th Street
West Allis, WI 53227
www.HEIN.com

2025

LIGHTING DEPARTMENT

Drawing Transmittal **Letter**

TO

JOB NAME

CUSTOMER

The order will not be scheduled for production until receipt of approval drawings with written release instructions. Based on information supplied with your order, these drawings represent our interpretation of your requirements. Please review these drawings for both accuracy and content. Should you find any discrepancies, please indicate necessary corrections and return marked prints for release or submittal.

Freight Terms: By signing this letter (below) the purchasing party is aware of possible freight charges that may occur during this project. These charges are the responsibility of the purchasing party. Hein Electric Supply Company can provide written estimates upon request.

The following drawings are being submitted for APPROVAL:

SIGNATURE FOR APPROVAL

DATE

Project	MSP WAUWATOSA NORTH	Catalog #	PRV-P-PA1A-740-U-T2R-SA-XX	Type	A1
Prepared by		Notes		Date	



Lumark

Prevail Discrete LED

Area / Site Luminaire

Product Features



Product Certifications



Interactive Menu

- Ordering Information [page 2](#)
- Mounting Details [page 3, 4](#)
- Optical Configurations [page 5](#)
- Product Specifications [page 5](#)
- Energy and Performance Data [page 6](#)
- Control Options [page 8](#)

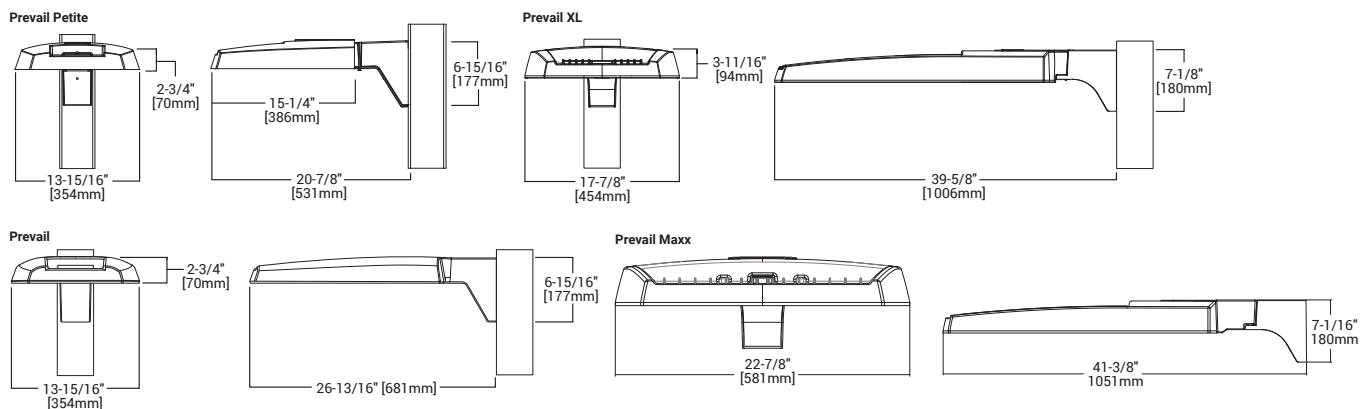
Quick Facts

- Direct-mounted discrete light engine for improved optical uniformity and visual comfort
- Lumen packages range from 4,300 - 68,000 nominal lumens (30W - 550W)
- Replaces 70W up to 1,000W HID equivalents
- Efficacies up to 157 lumens per watt
- Standard universal quick mount arm with universal drill pattern

Connected Systems

- WaveLinx PRO Wireless
- WaveLinx LITE Wireless

Dimensional Details




NOTES:
 1. Visit <https://www.designlights.org/search/> to confirm qualification. Not all product variations are DLC qualified.
 2. IDA Certified for 3000K CCT and warmer only.

Ordering Information

SAMPLE NUMBER: PRV-XL-PA4B-740-U-T4W-BZ

Product Family ^{1,2}	Light Engine		Color Temperature	Voltage	Distribution	Mounting (Included)	Finish
	Configuration	Drive Current ⁴					
PRV-P =Prevail Petite BAA-PRV-P =Prevail Petite BAA Buy American Act Compliant ³ TAA-PRV-P =Prevail Petite TAA Trade Agreements Act Compliant ³	PA1 =1 Panel, 24 LED Rectangle	A =400mA Nominal B =700mA Nominal C =950mA Nominal D =1200mA Nominal	740 =70CRI, 4000K 730 =70CRI, 3000K 750 =70CRI, 5000K 8540 =85CRI, 4000K	U =Universal, 120-277V H =High Voltage, 347-480V 1=120V 2=208V 3=240V 4=277V 8=480V ⁵ 9=347V DV =DuraVolt, 277-480V ^{5,6}	T2R =Type II Roadway T2U =Type II Urban T3 =Type III T4W =Type IV Wide 5WQ =Type V Square Wide	SA =QM Standard Versatile Arm MA =QM Mast Arm FMA =Fixed Mast Arm ²⁷ WM =QM Wall Mount Arm ADJA-WM = Adjustable Arm - Wall Mount ²⁹ ADJA =Adjustable Arm - Pole Mount ²⁹ ADJS =Adjustable Arm - Slipfitter, 3" vertical tenon ²⁹ SP2 =Adjustable Arm - Slipfitter, 2 3/8" vertical tenon ^{27, 29}	AP =Grey BZ =Bronze BK =Black DP =Dark Platinum GM =Graphite Metallic WH =White
PRV =Prevail BAA-PRV =Prevail BAA Buy American Act Compliant ³ TAA-PRV =Prevail TAA Trade Agreements Act Compliant ³	PA1 =1 Panel, 24 LED Rectangle PA2 =2 Panels, 48 LED Rectangles	A =700mA Nominal B =950mA Nominal					
PRV-XL =PRV XL BAA-PRV-XL =Prevail XL BAA Buy American Act Compliant ³ TAA-PRV-XL =Prevail XL TAA Trade Agreements Act Compliant ³	PA3 =3 Panels, 72 LED Rectangles PA4 =4 Panels, 96 LED Rectangles	A =750mA Nominal B =950mA Nominal					
PRV-M =Prevail Maxx BAA-PRV-M =Prevail Maxx BAA Buy American Act Compliant ³ TAA-PRV-M =Prevail Maxx TAA Trade Agreements Act Compliant ³	PA6 = 6 Panels, 144 LED Rectangles	A =600mA Nominal B =800mA Nominal C =1000mA Nominal D =1200mA Nominal					
Options (Add as Suffix)				Accessories (Order Separately) ^{20,21}			
10K =10kV UL 1449 Fused Surge Protective Device 20MSP =20kV MOV Surge Protective Device 20K =20kV UL 1449 Fused Surge Protective Device F =Single Fuse (Used with Voltages 120, 277 or 347V) FF =Double Fuse (Used with Voltages 208, 240 or 480V) FADC =Field Adjustable Dimming Controller ³⁰ L90 =Optics Rotated 90° Left R90 =Optics Rotated 90° Right CC =Coastal Construction finish ⁹ HSS =House Side Shield (Factory Installed) ⁷ HA =50°C High Ambient Temperature ⁸ PR =NEMA 3-PIN Twistlock Photocontrol Receptacle ¹⁰ PR7 =NEMA 7-PIN Twistlock Photocontrol Receptacle ¹⁰ MS7/DIM-L08 =Motion Sensor for Dimming Operation, Up to 8' Mounting Height ^{11,12,13} MS7/DIM-L20 =Motion Sensor for Dimming Operation, 9' - 20' Mounting Height ^{11,12,13} MS7/DIM-L40 =Motion Sensor for Dimming Operation, 21' - 40' Mounting Height ^{11,12,13} SPB1 =Motion Sensor for Dimming Operation, BLE Interface, Up to 8' Mounting Height ^{11,14} SPB2 =Motion Sensor for Dimming Operation, BLE Interface, 8' - 20' Mounting Height ^{11,14,27,28} SPB4 =Motion Sensor for Dimming Operation, BLE Interface, 21' - 40' Mounting Height ^{11,14,28}		WPS2XX =Wavelinx Pro, SR Driver, Dimming Motion and Daylight, WAC Programmable, 7' - 15' Mounting Height ^{11,12,15,16,17} WPS4XX =Wavelinx Pro, SR Driver, Dimming Motion and Daylight, WAC Programmable, 15' - 40' Mounting Height ^{11,12,15,16,17} WLS2XX =WaveLinx Lite, SR Driver, Dimming Motion and Daylight, Bluetooth Programmable, 7' - 15' Mounting ^{11,12,15,16,17} WLS4XX =WaveLinx Lite, SR Driver, Dimming Motion and Daylight, Bluetooth Programmable, 15' - 40' Mounting ^{11,12,15,16,17} (See Table Below) =LumenSafe Integrated Network Security Camera ^{18,19}		PRVSA-XX =Standard Arm Mounting Kit ²² PRVMA-XX =Mast Arm Mounting Kit ²² PRVWM-XX =Wall Mount Kit ²² PRVADJA-XX =Adjustable Arm - Pole Mount Kit ²² PRVADJS-XX =Adjustable Arm - Slipfitter Kit ²² PRVADJA-WM-XX =Adjustable Arm - Wall Mount Kit ²² PRVXLSA-XX =Standard Arm Mounting Kit ²⁸ PRVXLMA-XX =Mast Arm Mounting Kit ²⁸ PRVXLWM-XX =Wall Mount Kit ²⁸ PRV-XL-ADJA-XX =Adjustable Arm - Pole Mount Kit ²⁸ PRV-XL-ADJA-WM-XX = Adjustable Arm - Wall Mount Kit ²⁸ PRV-XL-ADJS-XX = Adjustable Arm - Slipfitter Kit ²⁸ PRV-M-ADJA-XX =Adjustable Arm - Pole Mount Kit ²⁷ PRV-M-ADJS-XX =Adjustable Arm - Slipfitter Kit ²⁷ PRV-M-ADJA-WM-XX =Adjustable Arm - Wall Mount Kit ²⁷ MA1010-XX =Single Tenon Adapter for 3-1/2" O.D. Tenon MA1011-XX =2@180° Tenon Adapter for 3-1/2" O.D. Tenon		MA1017-XX =Single Tenon Adapter for 2-3/8" O.D. Tenon MA1018-XX =2@180° Tenon Adapter for 2-3/8" O.D. Tenon SRA238 =Tenon Adapter from 3" to 2-3/8" PRV/DIS-FDV =Full Drop Visor ²³ PRVXL/DIS-FDV =Full Drop Visor ¹⁸ HSS-VP =House Side Shield Kit, Vertical Panel ^{7,24} HSS-HP =House Side Shield Kit, Horizontal Panel ^{7,24} VGS-ARCH = Panel Drop Shield, Short VGL-ARCH = Panel Drop Shield, Long OA/RA1013 =Photocontrol Shorting Cap OA/RA1014 =NEMA Photocontrol - 120V OA/RA1016 =NEMA Photocontrol - Multi-Tap 105-285V OA/RA1201 =NEMA Photocontrol - 347V OA/RA1027 =NEMA Photocontrol - 480V FSIR-100 =Wireless Configuration Tool for Occupancy Sensor ²⁵ WOLC-7P-10A =WaveLinx Outdoor Control Module (7-PIN) ²⁶	
NOTES: 1. DesignLights Consortium® Qualified. Refer to www.designlights.org Qualified Products List under Family Models for details. 2. Customer is responsible for engineering analysis to confirm pole and fixture compatibility for applications. Refer to installation instructions and pole white paper WPS13001EN for additional support information. 3. Only product configurations with these designated prefixes are built to be compliant with the Buy American Act of 1933 (BAA) or Trade Agreements Act of 1979 (TAA), respectively. Please refer to DOMESTIC.PREFERENCES website for more information. Components shipped separately may be separately analyzed under domestic preference requirements. 4. Nominal drive currents shown here. For actual drive current by configuration, refer to Power and Lumens tables. 5. 480V not to be used with ungrounded or impedance grounded systems. 6. DuraVolt drivers feature added protection from power quality issues such as loss of neutral, transients and voltage fluctuations. Visit www.signify.com/duravolt for more information. 7. House Side Shield not for use with 5WQ distribution. 8. Not available with PATD light engine in Petite housing (PRV-P). 9. Coastal construction finish salt spray tested to over 5,000-hours per ASTM B117, with a scribe rating of 9 per ASTM D1654. 10. If High Voltage (H) or DuraVolt (DV) is specified, use a photocontrol that matches the input voltage used. 11. Controls system is not available in combination with a photocontrol receptacle (PR or PR7) or another controls system (MS SPB). 12. Option not available with High Voltage (H) or DuraVolt (DV). Must specify Universal (U), 347V (9), or 480V (8) voltage. 13. Utilizes the Wattstopper sensor FSP-211. Sensor color white unless specified otherwise via PDR. To field-configure, order FSIR-100 accessory separately. 14. Utilizes the Wattstopper sensor FSP-3XX series. Sensor color determined by product finish. See Sensor Color Reference Table. Field-configures via mobile application. See Controls section for details. 15. Sensor passive infrared (PIR) may be overly sensitive when operating below -20°C (-4°F). 16. In order for the device to be field-configurable, requires WAC Gateway components WAC-PoE and WPOE-120 in appropriate quantities. Only compatible with WaveLinx system and software and requires system components to be installed for operation. See website for more Wavelinx application information. 17. Replace XX with sensor color (WH, BZ or BK). 18. Only available in PRV-XL configurations. 19. Not available with High Voltage (H, DV, 8 or 9) or HA options. Consult LumenSafe system product pages for additional details and compatibility information. 20. Replace XX with paint color. 21. For BAA or TAA requirements, Accessories sold separately will be separately analyzed under domestic preference requirements. Consult factory for further information. 22. Not for use with PRV-XL or PRV-M configurations. 23. Only for use with PRV. Not applicable to PRV-M, PRV-XL, or PRV-P. 24. Must order one per optic/LED when ordering as a field-installable accessory (1, 2, 3, 4, or 6). Refer to House Side Shield reference table for details. 25. This tool enables adjustment to Motion Sensor (MS) parameters including high and low modes, sensitivity, time delay, cutoff and more. Consult your lighting representative for more information. 26. Requires 7-PIN NEMA twistlock photocontrol receptacle (PR7) option. The WOLC-7 cannot be used in conjunction with other controls systems (MS or LWR). Only for use at 120-347V. 27. Only available for PRV-M configurations. 28. Only for use with PRV-XL. 29. Fixed for PRV-M. 30. Cannot be used with PR7 or other motion response control options.							

LumenSafe Integrated Network Security Camera Technology Options (Add as Suffix)

Product Family	Camera Type	Data Backhaul
L =LumenSafe Technology 	H =Dome Camera, High Res Z =Dome Camera, Remote PTZ	C =Cellular, Customer Installed SIM Card A =Cellular, Factory Installed AT&T SIM Card V =Cellular, Factory Installed Verizon SIM Card S =Cellular, Factory Installed Sprint SIM Card E =Ethernet Networking

Project	MSP WAUWATOSA NORTH	Catalog #	PRV-P-PA1B-740-U-T4W-SA-XX	Type	A2
Prepared by		Notes		Date	



Lumark

Prevail Discrete LED

Area / Site Luminaire

Product Features



Product Certifications



Interactive Menu

- Ordering Information [page 2](#)
- Mounting Details [page 3, 4](#)
- Optical Configurations [page 5](#)
- Product Specifications [page 5](#)
- Energy and Performance Data [page 6](#)
- Control Options [page 8](#)

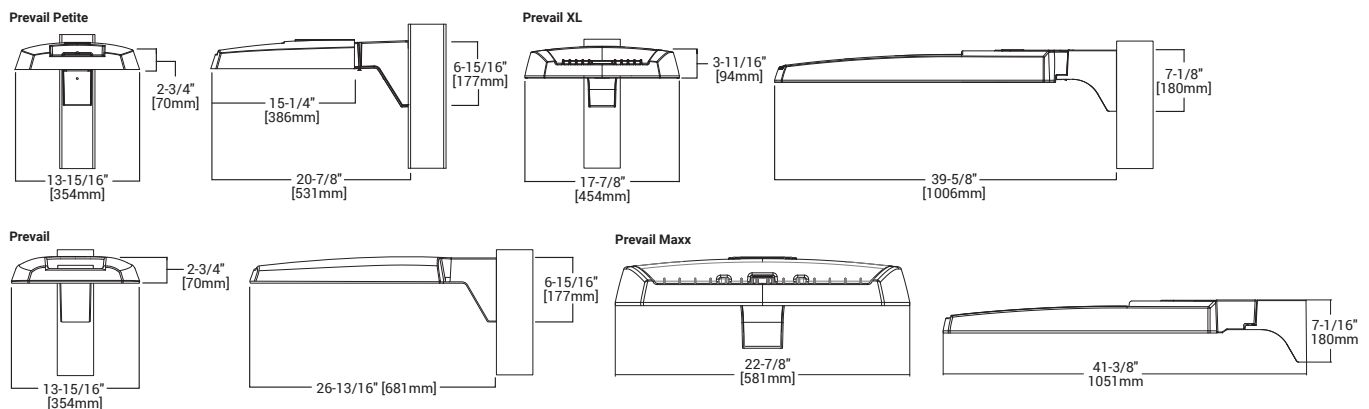
Quick Facts

- Direct-mounted discrete light engine for improved optical uniformity and visual comfort
- Lumen packages range from 4,300 - 68,000 nominal lumens (30W - 550W)
- Replaces 70W up to 1,000W HID equivalents
- Efficacies up to 157 lumens per watt
- Standard universal quick mount arm with universal drill pattern

Connected Systems

- WaveLinX PRO Wireless
- WaveLinX LITE Wireless

Dimensional Details




NOTES:
1. Visit <https://www.designlights.org/search/> to confirm qualification. Not all product variations are DLC qualified.
2. IDA Certified for 3000K CCT and warmer only.

Ordering Information

SAMPLE NUMBER: PRV-XL-PA4B-740-U-T4W-BZ

Product Family ^{1,2}	Light Engine		Color Temperature	Voltage	Distribution	Mounting (Included)	Finish		
	Configuration	Drive Current ⁴							
PRV-P =Prevail Petite BAA-PRV-P =Prevail Petite BAA Buy American Act Compliant ³ TAA-PRV-P =Prevail Petite TAA Trade Agreements Act Compliant ³	PA1 =1 Panel, 24 LED Rectangle	A =400mA Nominal B =700mA Nominal C =950mA Nominal D =1200mA Nominal	740 =70CRI, 4000K 730 =70CRI, 3000K 750 =70CRI, 5000K 8540 =85CRI, 4000K	U =Universal, 120-277V H =High Voltage, 347-480V 1=120V 2=208V 3=240V 4=277V 8=480V ⁵ 9=347V DV =DuraVolt, 277-480V ^{5,6}	T2R =Type II Roadway T2U =Type II Urban T3 =Type III T4W =Type IV Wide 5WQ =Type V Square Wide	SA =QM Standard Versatile Arm MA =QM Mast Arm FMA =Fixed Mast Arm ²⁷ WM =QM Wall Mount Arm ADJA-WM = Adjustable Arm - Wall Mount ²⁹ ADJA =Adjustable Arm - Pole Mount ²⁹ ADJS =Adjustable Arm - Slipfitter, 3" vertical tenon ²⁹ SP2 =Adjustable Arm - Slipfitter, 2 3/8" vertical tenon ^{27, 29}	AP =Grey BZ =Bronze BK =Black DP =Dark Platinum GM =Graphite Metallic WH =White		
PRV =Prevail BAA-PRV =Prevail BAA Buy American Act Compliant ³ TAA-PRV =Prevail TAA Trade Agreements Act Compliant ³	PA1 =1 Panel, 24 LED Rectangle PA2 =2 Panels, 48 LED Rectangles	A =700mA Nominal B =950mA Nominal							
PRV-XL =PRV XL BAA-PRV-XL =Prevail XL BAA Buy American Act Compliant ³ TAA-PRV-XL =Prevail XL TAA Trade Agreements Act Compliant ³	PA3 =3 Panels, 72 LED Rectangles PA4 =4 Panels, 96 LED Rectangles	A =750mA Nominal B =950mA Nominal							
PRV-M =Prevail Maxx BAA-PRV-M =Prevail Maxx BAA Buy American Act Compliant ³ TAA-PRV-M =Prevail Maxx TAA Trade Agreements Act Compliant ³	PA6 = 6 Panels, 144 LED Rectangles	A =600mA Nominal B =800mA Nominal C =1000mA Nominal D =1200mA Nominal							
Options (Add as Suffix)			Accessories (Order Separately) ^{20,21}						
10K =10kV UL 1449 Fused Surge Protective Device 20MSP =20kV MOV Surge Protective Device 20K =20kV UL 1449 Fused Surge Protective Device F =Single Fuse (Used with Voltages 120, 277 or 347V) FF =Double Fuse (Used with Voltages 208, 240 or 480V) FADC =Field Adjustable Dimming Controller ³⁰ L90 =Optics Rotated 90° Left R90 =Optics Rotated 90° Right CC =Coastal Construction finish ⁹ HSS =House Side Shield (Factory Installed) ⁷ HA =50°C High Ambient Temperature ⁸ PR =NEMA 3-PIN Twistlock Photocontrol Receptacle ¹⁰ PR7 =NEMA 7-PIN Twistlock Photocontrol Receptacle ¹⁰ MS7/DIM-L08 =Motion Sensor for Dimming Operation, Up to 8' Mounting Height ^{11,12,13} MS7/DIM-L20 =Motion Sensor for Dimming Operation, 9' - 20' Mounting Height ^{11,12,13} MS7/DIM-L40 =Motion Sensor for Dimming Operation, 21' - 40' Mounting Height ^{11,12,13} SPB1 =Motion Sensor for Dimming Operation, BLE Interface, Up to 8' Mounting Height ^{11,14} SPB2 =Motion Sensor for Dimming Operation, BLE Interface, 8' - 20' Mounting Height ^{11,14,27,28} SPB4 =Motion Sensor for Dimming Operation, BLE Interface, 21' - 40' Mounting Height ^{11,14,28}			WPS2XX =Wavelinx Pro, SR Driver, Dimming Motion and Daylight, WAC Programmable, 7' - 15' Mounting Height ^{11,12,15,16,17} WPS4XX =Wavelinx Pro, SR Driver, Dimming Motion and Daylight, WAC Programmable, 15' - 40' Mounting Height ^{11,12,15,16,17} WLS2XX =WaveLinx Lite, SR Driver, Dimming Motion and Daylight, Bluetooth Programmable, 7' - 15' Mounting Height ^{11,12,15,16,17} WLS4XX =WaveLinx Lite, SR Driver, Dimming Motion and Daylight, Bluetooth Programmable, 15' - 40' Mounting Height ^{11,12,15,16,17} (See Table Below) =LumenSafe Integrated Network Security Camera ^{18,19}			PRVSA-XX =Standard Arm Mounting Kit ²² PRVMA-XX =Mast Arm Mounting Kit ²² PRVWM-XX =Wall Mount Kit ²² PRVADJA-XX =Adjustable Arm - Pole Mount Kit ²² PRVADJS-XX =Adjustable Arm - Slipfitter Kit ²² PRVADJA-WM-XX =Adjustable Arm - Wall Mount Kit ²² PRVXLSA-XX =Standard Arm Mounting Kit ²⁸ PRVXLSMA-XX =Mast Arm Mounting Kit ²⁸ PRVXLWM-XX =Wall Mount Kit ²⁸ PRV-XL-ADJA-XX =Adjustable Arm - Pole Mount Kit ²⁸ PRV-XL-ADJA-WM-XX = Adjustable Arm - Wall Mount Kit ²⁸ PRV-XL-ADJS-XX = Adjustable Arm - Slipfitter Kit ²⁸ PRV-M-ADJA-XX =Adjustable Arm - Pole Mount Kit ²⁷ PRV-M-ADJS-XX =Adjustable Arm - Slipfitter Kit ²⁷ PRV-M-ADJA-WM-XX =Adjustable Arm - Wall Mount Kit ²⁷ MA1010-XX =Single Tenon Adapter for 3-1/2" O.D. Tenon MA1011-XX =2@180° Tenon Adapter for 3-1/2" O.D. Tenon		MA1017-XX =Single Tenon Adapter for 2-3/8" O.D. Tenon MA1018-XX =2@180° Tenon Adapter for 2-3/8" O.D. Tenon SRA238 =Tenon Adapter from 3" to 2-3/8" PRV/DIS-FDV =Full Drop Visor ²³ PRVXL/DIS-FDV =Full Drop Visor ¹⁸ HSS-VP =House Side Shield Kit, Vertical Panel ^{7,24} HSS-HP =House Side Shield Kit, Horizontal Panel ^{7,24} VGS-ARCH = Panel Drop Shield, Short VGL-ARCH = Panel Drop Shield, Long OA/RA1013 =Photocontrol Shorting Cap OA/RA1014 =NEMA Photocontrol - 120V OA/RA1016 =NEMA Photocontrol - Multi-Tap 105-285V OA/RA1201 =NEMA Photocontrol - 347V OA/RA1027 =NEMA Photocontrol - 480V FSIR-100 =Wireless Configuration Tool for Occupancy Sensor ²⁵ WOLC-7P-10A =WaveLinx Outdoor Control Module (7-PIN) ²⁶	
NOTES: 1. DesignLights Consortium® Qualified. Refer to www.designlights.org Qualified Products List under Family Models for details. 2. Customer is responsible for engineering analysis to confirm pole and fixture compatibility for applications. Refer to installation instructions and pole white paper WPS13001EN for additional support information. 3. Only product configurations with these designated prefixes are built to be compliant with the Buy American Act of 1933 (BAA) or Trade Agreements Act of 1979 (TAA), respectively. Please refer to www.designlights.org website for more information. Components shipped separately may be separately analyzed under domestic preference requirements. 4. Nominal drive currents shown here. For actual drive current by configuration, refer to Power and Lumens tables. 5. 480V not to be used with ungrounded or impedance grounded systems. 6. DuraVolt drivers feature added protection from power quality issues such as loss of neutral, transients and voltage fluctuations. Visit www.signify.com/duravolt for more information. 7. House Side Shield not for use with 5WQ distribution. 8. Not available with PATD light engine in Petite housing (PRV-P). 9. Coastal construction finish salt spray tested to over 5,000-hours per ASTM B117, with a scribe rating of 9 per ASTM D1654. 10. If High Voltage (H) or DuraVolt (DV) is specified, use a photocontrol that matches the input voltage used. 11. Controls system is not available in combination with a photocontrol receptacle (PR or PR7) or another controls system (MS SPB). 12. Option not available with High Voltage (H) or DuraVolt (DV). Must specify Universal (U), 347V (9), or 480V (8) voltage. 13. Utilizes the Wattstopper sensor FSP-211. Sensor color white unless specified otherwise via PDR. To field-configure, order FSIR-100 accessory separately. 14. Utilizes the Wattstopper sensor FSP-3XX series. Sensor color determined by product finish. See Sensor Color Reference Table. Field-configures via mobile application. See Controls section for details. 15. Sensor passive infrared (PIR) may be overly sensitive when operating below -20°C (-4°F). 16. In order for the device to be field-configurable, requires WAC Gateway components WAC-PoE and WPOE-120 in appropriate quantities. Only compatible with WaveLinx system and software and requires system components to be installed for operation. See website for more Wavelinx application information. 17. Replace XX with sensor color (WH, BZ or BK). 18. Only available in PRV-XL configurations. 19. Not available with High Voltage (H, DV, 8 or 9) or HA options. Consult LumenSafe system product pages for additional details and compatibility information. 20. Replace XX with paint color. 21. For BAA or TAA requirements, Accessories sold separately will be separately analyzed under domestic preference requirements. Consult factory for further information. 22. Not for use with PRV-XL or PRV-M configurations. 23. Only for use with PRV. Not applicable to PRV-M, PRV-XL, or PRV-P. 24. Must order one per optic/LED when ordering as a field-installable accessory (1, 2, 3, 4, or 6). Refer to House Side Shield reference table for details. 25. This tool enables adjustment to Motion Sensor (MS) parameters including high and low modes, sensitivity, time delay, cutoff and more. Consult your lighting representative for more information. 26. Requires 7-PIN NEMA twistlock photocontrol receptacle (PR7) option. The WOLC-7 cannot be used in conjunction with other controls systems (MS or LWR). Only for use at 120-347V. 27. Only available for PRV-M configurations. 28. Only for use with PRV-XL. 29. Fixed for PRV-M. 30. Cannot be used with PR7 or other motion response control options.									

LumenSafe Integrated Network Security Camera Technology Options (Add as Suffix)

Product Family	Camera Type	Data Backhaul
L =LumenSafe Technology 	H =Dome Camera, High Res Z =Dome Camera, Remote PTZ	C =Cellular, Customer Installed SIM Card A =Cellular, Factory Installed AT&T SIM Card V =Cellular, Factory Installed Verizon SIM Card S =Cellular, Factory Installed Sprint SIM Card E =Ethernet Networking

Project	MSP WAUWATOSA NORTH	Catalog #	PRV-P-PA1A-740-U-T2R-SA-XX	Type	B
Prepared by		Notes		Date	



Lumark

Prevail Discrete LED

Area / Site Luminaire

Product Features



Product Certifications



Interactive Menu

- Ordering Information [page 2](#)
- Mounting Details [page 3, 4](#)
- Optical Configurations [page 5](#)
- Product Specifications [page 5](#)
- Energy and Performance Data [page 6](#)
- Control Options [page 8](#)

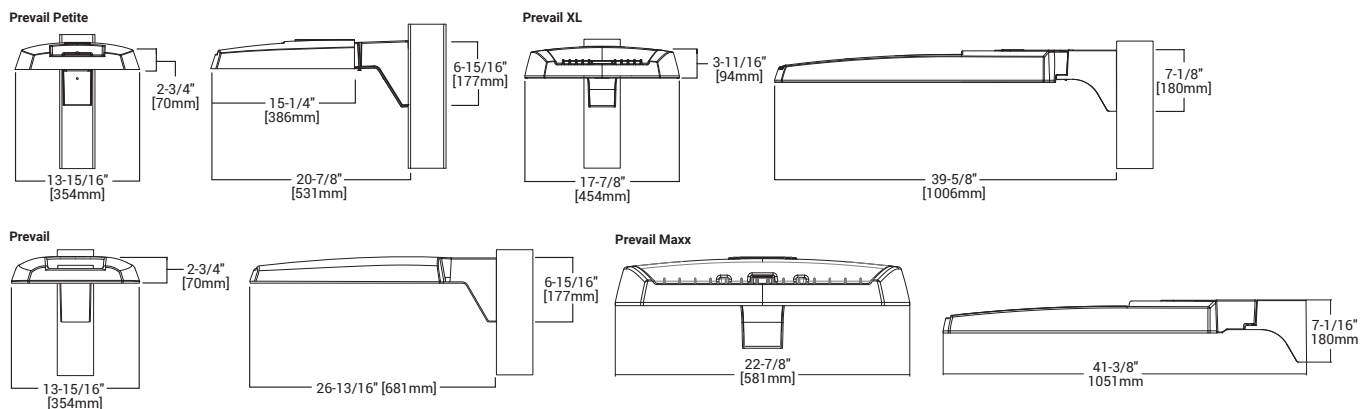
Quick Facts

- Direct-mounted discrete light engine for improved optical uniformity and visual comfort
- Lumen packages range from 4,300 - 68,000 nominal lumens (30W - 550W)
- Replaces 70W up to 1,000W HID equivalents
- Efficacies up to 157 lumens per watt
- Standard universal quick mount arm with universal drill pattern

Connected Systems

- WaveLinX PRO Wireless
- WaveLinX LITE Wireless

Dimensional Details




NOTES:
 1. Visit <https://www.designlights.org/search/> to confirm qualification. Not all product variations are DLC qualified.
 2. IDA Certified for 3000K CCT and warmer only.

Ordering Information

SAMPLE NUMBER: PRV-XL-PA4B-740-U-T4W-BZ

Product Family ^{1,2}	Light Engine		Color Temperature	Voltage	Distribution	Mounting (Included)	Finish
	Configuration	Drive Current ⁴					
PRV-P=Prevail Petite BAA-PRV-P=Prevail Petite BAA Buy American Act Compliant ³ TAA-PRV-P=Prevail Petite TAA Trade Agreements Act Compliant ³	PA1=1 Panel, 24 LED Rectangle	A=400mA Nominal B=700mA Nominal C=950mA Nominal D=1200mA Nominal	740=70CRI, 4000K 730=70CRI, 3000K 750=70CRI, 5000K 8540=85CRI, 4000K	U=Universal, 120-277V H=High Voltage, 347-480V 1=120V 2=208V 3=240V 4=277V 8=480V ⁵ 9=347V DV=DuraVolt, 277-480V ^{5,6}	T2R=Type II Roadway T2U=Type II Urban T3=Type III T4W=Type IV Wide 5WQ=Type V Square Wide	SA=QM Standard Versatile Arm MA=QM Mast Arm FMA=Fixed Mast Arm ²⁷ WM=QM Wall Mount Arm ADJA-WM= Adjustable Arm - Wall Mount ²⁹ ADJA=Adjustable Arm - Pole Mount ²⁹ ADJS=Adjustable Arm - Slipfitter, 3" vertical tenon ²⁹ SP2=Adjustable Arm - Slipfitter, 2 3/8" vertical tenon ^{27, 29}	AP=Grey BZ=Bronze BK=Black DP=Dark Platinum GM=Graphite Metallic WH=White
PRV=Prevail BAA-PRV=Prevail BAA Buy American Act Compliant ³ TAA-PRV=Prevail TAA Trade Agreements Act Compliant ³	PA1=1 Panel, 24 LED Rectangle PA2=2 Panels, 48 LED Rectangles	A=700mA Nominal B=950mA Nominal					
PRV-XL=PRV XL BAA-PRV-XL=Prevail XL BAA Buy American Act Compliant ³ TAA-PRV-XL=Prevail XL TAA Trade Agreements Act Compliant ³	PA3=3 Panels, 72 LED Rectangles PA4=4 Panels, 96 LED Rectangles	A=750mA Nominal B=950mA Nominal					
PRV-M=Prevail Maxx BAA-PRV-M=Prevail Maxx BAA Buy American Act Compliant ³ TAA-PRV-M=Prevail Maxx TAA Trade Agreements Act Compliant ³	PA6= 6 Panels, 144 LED Rectangles	A=600mA Nominal B=800mA Nominal C=1000mA Nominal D=1200mA Nominal					
Options (Add as Suffix)				Accessories (Order Separately) ^{20,21}			
10K=10kV UL 1449 Fused Surge Protective Device 20MSP=20kV MOV Surge Protective Device 20K=20kV UL 1449 Fused Surge Protective Device F=Single Fuse (Used with Voltages 120, 277 or 347V) FF=Double Fuse (Used with Voltages 208, 240 or 480V) FADC=Field Adjustable Dimming Controller ³⁰ L90=Optics Rotated 90° Left R90=Optics Rotated 90° Right CC=Coastal Construction finish ⁹ HSS=House Side Shield (Factory Installed) ⁷ HA=50°C High Ambient Temperature ⁸ PR=NEMA 3-PIN Twistlock Photocontrol Receptacle ¹⁰ PR7=NEMA 7-PIN Twistlock Photocontrol Receptacle ¹⁰ MS7/DIM-L08=Motion Sensor for Dimming Operation, Up to 8' Mounting Height ^{11,12,13} MS7/DIM-L20=Motion Sensor for Dimming Operation, 9' - 20' Mounting Height ^{11,12,13} MS7/DIM-L40=Motion Sensor for Dimming Operation, 21' - 40' Mounting Height ^{11,12,13} SPB1=Motion Sensor for Dimming Operation, BLE Interface, Up to 8' Mounting Height ^{11,14} SPB2=Motion Sensor for Dimming Operation, BLE Interface, 8' - 20' Mounting Height ^{11,14,27,28} SPB4=Motion Sensor for Dimming Operation, BLE Interface, 21' - 40' Mounting Height ^{11,14,28}		WPS2XX=Wavelinx Pro, SR Driver, Dimming Motion and Daylight, WAC Programmable, 7' - 15' Mounting Height ^{11,12,15,16,17} WPS4XX=Wavelinx Pro, SR Driver, Dimming Motion and Daylight, WAC Programmable, 15' - 40' Mounting Height ^{11,12,15,16,17} WLS2XX=WaveLinx Lite, SR Driver, Dimming Motion and Daylight, Bluetooth Programmable, 7' - 15' Mounting ^{11,12,15,16,17} WLS4XX=WaveLinx Lite, SR Driver, Dimming Motion and Daylight, Bluetooth Programmable, 15' - 40' Mounting ^{11,12,15,16,17} (See Table Below)=LumenSafe Integrated Network Security Camera ^{18,19}		PRVSA-XX=Standard Arm Mounting Kit ²² PRVMA-XX=Mast Arm Mounting Kit ²² PRVWM-XX=Wall Mount Kit ²² PRVADJA-XX=Adjustable Arm - Pole Mount Kit ²² PRVADJS-XX=Adjustable Arm - Slipfitter Kit ²² PRVADJA-WM-XX=Adjustable Arm - Wall Mount Kit ²² PRVXLSA-XX=Standard Arm Mounting Kit ²⁸ PRVXLSMA-XX=Mast Arm Mounting Kit ²⁸ PRVXLWM-XX=Wall Mount Kit ²⁸ PRVXL-ADJA-XX=Adjustable Arm - Pole Mount Kit ²⁸ PRVXL-ADJA-WM-XX= Adjustable Arm - Wall Mount Kit ²⁸ PRVXL-ADJS-XX= Adjustable Arm - Slipfitter Kit ²⁸ PRV-M-ADJA-XX=Adjustable Arm - Pole Mount Kit ²⁷ PRV-M-ADJS-XX=Adjustable Arm - Slipfitter Kit ²⁷ PRV-M-ADJA-WM-XX=Adjustable Arm - Wall Mount Kit ²⁷ MA1010-XX=Single Tenon Adapter for 3-1/2" O.D. Tenon MA1011-XX=2@180° Tenon Adapter for 3-1/2" O.D. Tenon		MA1017-XX=Single Tenon Adapter for 2-3/8" O.D. Tenon MA1018-XX=2@180° Tenon Adapter for 2-3/8" O.D. Tenon SRA238=Tenon Adapter from 3" to 2-3/8" PRV/DIS-FDV=Full Drop Visor ²³ PRVXL/DIS-FDV=Full Drop Visor ¹⁸ HSS-VP=House Side Shield Kit, Vertical Panel ^{7,24} HSS-HP=House Side Shield Kit, Horizontal Panel ^{7,24} VGS-ARCH= Panel Drop Shield, Short VGL-ARCH= Panel Drop Shield, Long OA/RA1013=Photocontrol Shorting Cap OA/RA1014=NEMA Photocontrol - 120V OA/RA1016=NEMA Photocontrol - Multi-Tap 105-285V OA/RA1201=NEMA Photocontrol - 347V OA/RA1027=NEMA Photocontrol - 480V FSIR-100=Wireless Configuration Tool for Occupancy Sensor ²⁵ WOLC-7P-10A=WaveLinx Outdoor Control Module (7-PIN) ²⁶	
NOTES: 1. DesignLights Consortium® Qualified. Refer to www.designlights.org Qualified Products List under Family Models for details. 2. Customer is responsible for engineering analysis to confirm pole and fixture compatibility for applications. Refer to installation instructions and pole white paper WPS13001EN for additional support information. 3. Only product configurations with these designated prefixes are built to be compliant with the Buy American Act of 1933 (BAA) or Trade Agreements Act of 1979 (TAA), respectively. Please refer to DOMESTIC.PREFERENCES website for more information. Components shipped separately may be separately analyzed under domestic preference requirements. 4. Nominal drive currents shown here. For actual drive current by configuration, refer to Power and Lumens tables. 5. 480V not to be used with ungrounded or impedance grounded systems. 6. DuraVolt drivers feature added protection from power quality issues such as loss of neutral, transients and voltage fluctuations. Visit www.signify.com/duravolt for more information. 7. House Side Shield not for use with 5WQ distribution. 8. Not available with PATD light engine in Petite housing (PRV-P). 9. Coastal construction finish salt spray tested to over 5,000-hours per ASTM B117, with a scribe rating of 9 per ASTM D1654. 10. If High Voltage (H) or DuraVolt (DV) is specified, use a photocontrol that matches the input voltage used. 11. Controls system is not available in combination with a photocontrol receptacle (PR or PR7) or another controls system (MS SPB). 12. Option not available with High Voltage (H) or DuraVolt (DV). Must specify Universal (U), 347V (9), or 480V (8) voltage. 13. Utilizes the Wattstopper sensor FSP-211. Sensor color white unless specified otherwise via PDR. To field-configure, order FSIR-100 accessory separately. 14. Utilizes the Wattstopper sensor FSP-3XX series. Sensor color determined by product finish. See Sensor Color Reference Table. Field-configures via mobile application. See Controls section for details. 15. Sensor passive infrared (PIR) may be overly sensitive when operating below -20°C (-4°F). 16. In order for the device to be field-configurable, requires WAC Gateway components WAC-PoE and WPOE-120 in appropriate quantities. Only compatible with WaveLinx system and software and requires system components to be installed for operation. See website for more WaveLinx application information. 17. Replace XX with sensor color (WH, BZ or BK). 18. Only available in PRV-XL configurations. 19. Not available with High Voltage (H, DV, 8 or 9) or HA options. Consult LumenSafe system product pages for additional details and compatibility information. 20. Replace XX with paint color. 21. For BAA or TAA requirements, Accessories sold separately will be separately analyzed under domestic preference requirements. Consult factory for further information. 22. Not for use with PRV-XL or PRV-M configurations. 23. Only for use with PRV. Not applicable to PRV-M, PRV-XL, or PRV-P. 24. Must order one per optic/LED when ordering as a field-installable accessory (1, 2, 3, 4, or 6). Refer to House Side Shield reference table for details. 25. This tool enables adjustment to Motion Sensor (MS) parameters including high and low modes, sensitivity, time delay, cutoff and more. Consult your lighting representative for more information. 26. Requires 7-PIN NEMA twistlock photocontrol receptacle (PR7) option. The WOLC-7 cannot be used in conjunction with other controls systems (MS or LWR). Only for use at 120-347V. 27. Only available for PRV-M configurations. 28. Only for use with PRV-XL. 29. Fixed for PRV-M. 30. Cannot be used with PR7 or other motion response control options.							

LumenSafe Integrated Network Security Camera Technology Options (Add as Suffix)

Product Family	Camera Type	Data Backhaul
L=LumenSafe Technology 	H=Dome Camera, High Res Z=Dome Camera, Remote PTZ	C=Cellular, Customer Installed SIM Card A=Cellular, Factory Installed AT&T SIM Card V=Cellular, Factory Installed Verizon SIM Card S=Cellular, Factory Installed Sprint SIM Card E=Ethernet Networking

Project	MSP WAUWATOSA NORTH	Catalog #	PRV-P-PA1B-740-U-T3-SA-XX	Type	C
Prepared by		Notes		Date	



Lumark

Prevail Discrete LED

Area / Site Luminaire

Product Features



Product Certifications



Interactive Menu

- Ordering Information [page 2](#)
- Mounting Details [page 3, 4](#)
- Optical Configurations [page 5](#)
- Product Specifications [page 5](#)
- Energy and Performance Data [page 6](#)
- Control Options [page 8](#)

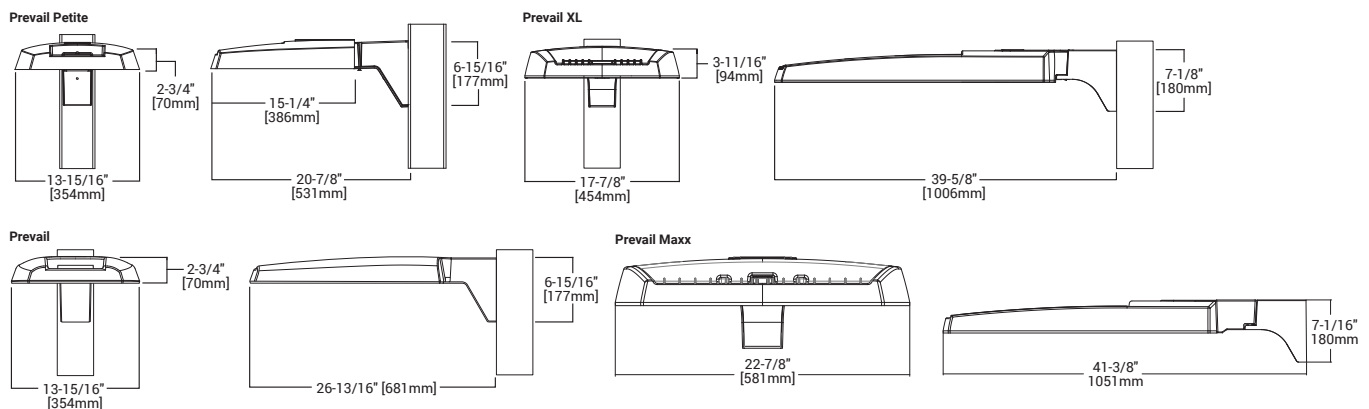
Quick Facts

- Direct-mounted discrete light engine for improved optical uniformity and visual comfort
- Lumen packages range from 4,300 - 68,000 nominal lumens (30W - 550W)
- Replaces 70W up to 1,000W HID equivalents
- Efficacies up to 157 lumens per watt
- Standard universal quick mount arm with universal drill pattern

Connected Systems

- WaveLinx PRO Wireless
- WaveLinx LITE Wireless

Dimensional Details




NOTES:
 1. Visit <https://www.designlights.org/search/> to confirm qualification. Not all product variations are DLC qualified.
 2. IDA Certified for 3000K CCT and warmer only.

Ordering Information

SAMPLE NUMBER: PRV-XL-PA4B-740-U-T4W-BZ

Product Family ^{1,2}	Light Engine		Color Temperature	Voltage	Distribution	Mounting (Included)	Finish
	Configuration	Drive Current ⁴					
PRV-P=Prevail Petite BAA-PRV-P=Prevail Petite BAA Buy American Act Compliant ³ TAA-PRV-P=Prevail Petite TAA Trade Agreements Act Compliant ³	PA1=1 Panel, 24 LED Rectangle	A=400mA Nominal B=700mA Nominal C=950mA Nominal D=1200mA Nominal	740=70CRI, 4000K 730=70CRI, 3000K 750=70CRI, 5000K 8540=85CRI, 4000K	U=Universal, 120-277V H=High Voltage, 347-480V 1=120V 2=208V 3=240V 4=277V 8=480V ⁵ 9=347V DV=DuraVolt, 277-480V ^{5,6}	T2R=Type II Roadway T2U=Type II Urban T3=Type III T4W=Type IV Wide 5WQ=Type V Square Wide	SA=QM Standard Versatile Arm MA=QM Mast Arm FMA=Fixed Mast Arm ²⁷ WM=QM Wall Mount Arm ADJA-WM= Adjustable Arm - Wall Mount ²⁹ ADJA=Adjustable Arm - Pole Mount ²⁹ ADJS=Adjustable Arm - Slipfitter, 3" vertical tenon ²⁹ SP2=Adjustable Arm - Slipfitter, 2 3/8" vertical tenon ^{27, 29}	AP=Grey BZ=Bronze BK=Black DP=Dark Platinum GM=Graphite Metallic WH=White
PRV=Prevail BAA-PRV=Prevail BAA Buy American Act Compliant ³ TAA-PRV=Prevail TAA Trade Agreements Act Compliant ³	PA1=1 Panel, 24 LED Rectangle PA2=2 Panels, 48 LED Rectangles	A=700mA Nominal B=950mA Nominal					
PRV-XL=PRV XL BAA-PRV-XL=Prevail XL BAA Buy American Act Compliant ³ TAA-PRV-XL=Prevail XL TAA Trade Agreements Act Compliant ³	PA3=3 Panels, 72 LED Rectangles PA4=4 Panels, 96 LED Rectangles	A=750mA Nominal B=950mA Nominal					
PRV-M=Prevail Maxx BAA-PRV-M=Prevail Maxx BAA Buy American Act Compliant ³ TAA-PRV-M=Prevail Maxx TAA Trade Agreements Act Compliant ³	PA6= 6 Panels, 144 LED Rectangles	A=600mA Nominal B=800mA Nominal C=1000mA Nominal D=1200mA Nominal					
Options (Add as Suffix)				Accessories (Order Separately) ^{20,21}			
10K=10kV UL 1449 Fused Surge Protective Device 20MSP=20kV MOV Surge Protective Device 20K=20kV UL 1449 Fused Surge Protective Device F=Single Fuse (Used with Voltages 120, 277 or 347V) FF=Double Fuse (Used with Voltages 208, 240 or 480V) FADC=Field Adjustable Dimming Controller ³⁰ L90=Optics Rotated 90° Left R90=Optics Rotated 90° Right CC=Coastal Construction finish ⁹ HSS=House Side Shield (Factory Installed) ⁷ HA=50°C High Ambient Temperature ⁸ PR=NEMA 3-PIN Twistlock Photocontrol Receptacle ¹⁰ PR7=NEMA 7-PIN Twistlock Photocontrol Receptacle ¹⁰ MS7/DIM-L08=Motion Sensor for Dimming Operation, Up to 8' Mounting Height ^{11,12,13} MS7/DIM-L20=Motion Sensor for Dimming Operation, 9' - 20' Mounting Height ^{11,12,13} MS7/DIM-L40=Motion Sensor for Dimming Operation, 21' - 40' Mounting Height ^{11,12,13} SPB1=Motion Sensor for Dimming Operation, BLE Interface, Up to 8' Mounting Height ^{11,14} SPB2=Motion Sensor for Dimming Operation, BLE Interface, 8' - 20' Mounting Height ^{11,14,27,28} SPB4=Motion Sensor for Dimming Operation, BLE Interface, 21' - 40' Mounting Height ^{11,14,28}		WPS2XX=Wavelinx Pro, SR Driver, Dimming Motion and Daylight, WAC Programmable, 7' - 15' Mounting Height ^{11,12,15,16,17} WPS4XX=Wavelinx Pro, SR Driver, Dimming Motion and Daylight, WAC Programmable, 15' - 40' Mounting Height ^{11,12,15,16,17} WLS2XX=WaveLinx Lite, SR Driver, Dimming Motion and Daylight, Bluetooth Programmable, 7' - 15' Mounting ^{11,12,15,16,17} WLS4XX=WaveLinx Lite, SR Driver, Dimming Motion and Daylight, Bluetooth Programmable, 15' - 40' Mounting ^{11,12,15,16,17} (See Table Below)=LumenSafe Integrated Network Security Camera ^{18,19}		PRVSA-XX=Standard Arm Mounting Kit ²² PRVMA-XX=Mast Arm Mounting Kit ²² PRVWM-XX=Wall Mount Kit ²² PRV-ADJA-XX=Adjustable Arm - Pole Mount Kit ²² PRV-ADJS-XX=Adjustable Arm - Slipfitter Kit ²² PRV-ADJA-WM-XX=Adjustable Arm - Wall Mount Kit ²² PRVXLSA-XX=Standard Arm Mounting Kit ²⁸ PRVXLSMA-XX=Mast Arm Mounting Kit ²⁸ PRVXLWM-XX=Wall Mount Kit ²⁸ PRV-XL-ADJA-XX=Adjustable Arm - Pole Mount Kit ²⁸ PRV-XL-ADJA-WM-XX= Adjustable Arm - Wall Mount Kit ²⁸ PRV-XL-ADJS-XX= Adjustable Arm - Slipfitter Kit ²⁸ PRV-M-ADJA-XX=Adjustable Arm - Pole Mount Kit ²⁷ PRV-M-ADJS-XX=Adjustable Arm - Slipfitter Kit ²⁷ PRV-M-ADJA-WM-XX=Adjustable Arm - Wall Mount Kit ²⁷ MA1010-XX=Single Tenon Adapter for 3-1/2" O.D. Tenon MA1011-XX=2@180° Tenon Adapter for 3-1/2" O.D. Tenon		MA1017-XX=Single Tenon Adapter for 2-3/8" O.D. Tenon MA1018-XX=2@180° Tenon Adapter for 2-3/8" O.D. Tenon SRA238=Tenon Adapter from 3" to 2-3/8" PRV/DIS-FDV=Full Drop Visor ²³ PRVXL/DIS-FDV=Full Drop Visor ¹⁸ HSS-VP=House Side Shield Kit, Vertical Panel ^{7,24} HSS-HP=House Side Shield Kit, Horizontal Panel ^{7,24} VGS-ARCH= Panel Drop Shield, Short VGL-ARCH= Panel Drop Shield, Long OA/RA1013=Photocontrol Shorting Cap OA/RA1014=NEMA Photocontrol - 120V OA/RA1016=NEMA Photocontrol - Multi-Tap 105-285V OA/RA1201=NEMA Photocontrol - 347V OA/RA1027=NEMA Photocontrol - 480V FSIR-100=Wireless Configuration Tool for Occupancy Sensor ²⁵ WOLC-7P-10A=WaveLinx Outdoor Control Module (7-PIN) ²⁶	
NOTES: 1. DesignLights Consortium® Qualified. Refer to www.designlights.org Qualified Products List under Family Models for details. 2. Customer is responsible for engineering analysis to confirm pole and fixture compatibility for applications. Refer to installation instructions and pole white paper WPS13001EN for additional support information. 3. Only product configurations with these designated prefixes are built to be compliant with the Buy American Act of 1933 (BAA) or Trade Agreements Act of 1979 (TAA), respectively. Please refer to DOMESTIC PREFERENCES website for more information. Components shipped separately may be separately analyzed under domestic preference requirements. 4. Nominal drive currents shown here. For actual drive current by configuration, refer to Power and Lumens tables. 5. 480V not to be used with ungrounded or impedance grounded systems. 6. DuraVolt drivers feature added protection from power quality issues such as loss of neutral, transients and voltage fluctuations. Visit www.signify.com/duravolt for more information. 7. House Side Shield not for use with 5WQ distribution. 8. Not available with PATD light engine in Petite housing (PRV-P). 9. Coastal construction finish salt spray tested to over 5,000-hours per ASTM B117, with a scribe rating of 9 per ASTM D1654. 10. If High Voltage (H) or DuraVolt (DV) is specified, use a photocontrol that matches the input voltage used. 11. Controls system is not available in combination with a photocontrol receptacle (PR or PR7) or another controls system (MS SPB). 12. Option not available with High Voltage (H) or DuraVolt (DV). Must specify Universal (U), 347V (9), or 480V (8) voltage. 13. Utilizes the Wattstopper sensor FSP-211. Sensor color white unless specified otherwise via PDR. To field-configure, order FSIR-100 accessory separately. 14. Utilizes the Wattstopper sensor FSP-3XX series. Sensor color determined by product finish. See Sensor Color Reference Table. Field-configures via mobile application. See Controls section for details. 15. Sensor passive infrared (PIR) may be overly sensitive when operating below -20°C (-4°F). 16. In order for the device to be field-configurable, requires WAC Gateway components WAC-PoE and WPOE-120 in appropriate quantities. Only compatible with WaveLinx system and software and requires system components to be installed for operation. See website for more Wavelinx application information. 17. Replace XX with sensor color (WH, BZ or BK). 18. Only available in PRV-XL configurations. 19. Not available with High Voltage (H, DV, 8 or 9) or HA options. Consult LumenSafe system product pages for additional details and compatibility information. 20. Replace XX with paint color. 21. For BAA or TAA requirements, Accessories sold separately will be separately analyzed under domestic preference requirements. Consult factory for further information. 22. Not for use with PRV-XL or PRV-M configurations. 23. Only for use with PRV. Not applicable to PRV-M, PRV-XL, or PRV-P. 24. Must order one per optic/LED when ordering as a field-installable accessory (1, 2, 3, 4, or 6). Refer to House Side Shield reference table for details. 25. This tool enables adjustment to Motion Sensor (MS) parameters including high and low modes, sensitivity, time delay, cutoff and more. Consult your lighting representative for more information. 26. Requires 7-PIN NEMA twistlock photocontrol receptacle (PR7) option. The WOLC-7 cannot be used in conjunction with other controls systems (MS or LWR). Only for use at 120-347V. 27. Only available for PRV-M configurations. 28. Only for use with PRV-XL. 29. Fixed for PRV-M. 30. Cannot be used with PR7 or other motion response control options.							

LumenSafe Integrated Network Security Camera Technology Options (Add as Suffix)

Product Family	Camera Type	Data Backhaul
L=LumenSafe Technology 	H=Dome Camera, High Res Z=Dome Camera, Remote PTZ	C=Cellular, Customer Installed SIM Card A=Cellular, Factory Installed AT&T SIM Card V=Cellular, Factory Installed Verizon SIM Card S=Cellular, Factory Installed Sprint SIM Card E=Ethernet Networking

Project	MSP WAUWATOSA NORTH	Catalog #	PRV-P-PA1C-740-U-T2U-SA-XX	Type	D
Prepared by		Notes		Date	



Lumark

Prevail Discrete LED

Area / Site Luminaire

Product Features



Product Certifications



Interactive Menu

- Ordering Information [page 2](#)
- Mounting Details [page 3, 4](#)
- Optical Configurations [page 5](#)
- Product Specifications [page 5](#)
- Energy and Performance Data [page 6](#)
- Control Options [page 8](#)

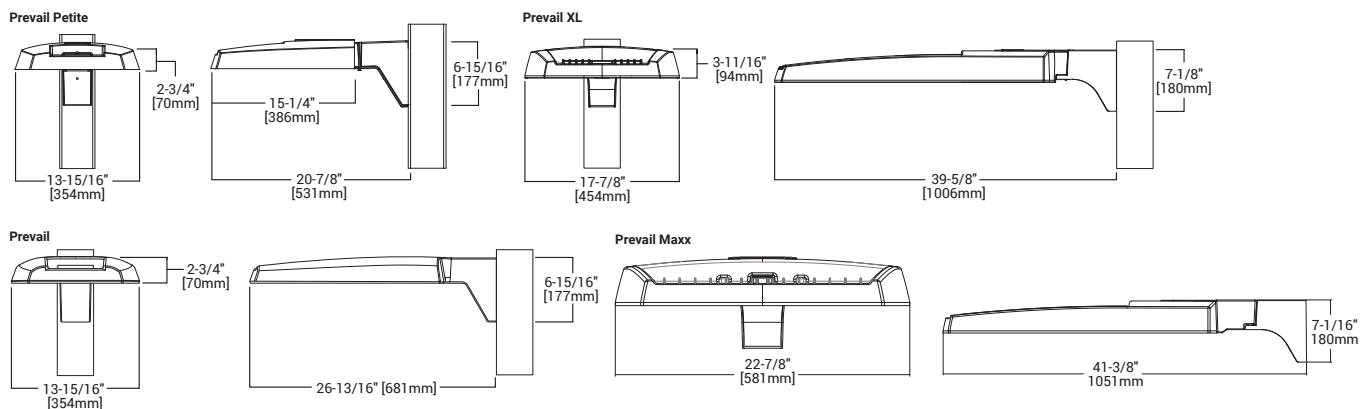
Quick Facts

- Direct-mounted discrete light engine for improved optical uniformity and visual comfort
- Lumen packages range from 4,300 - 68,000 nominal lumens (30W - 550W)
- Replaces 70W up to 1,000W HID equivalents
- Efficacies up to 157 lumens per watt
- Standard universal quick mount arm with universal drill pattern

Connected Systems

- WaveLinx PRO Wireless
- WaveLinx LITE Wireless

Dimensional Details




NOTES:
 1. Visit <https://www.designlights.org/search/> to confirm qualification. Not all product variations are DLC qualified.
 2. IDA Certified for 3000K CCT and warmer only.

Ordering Information

SAMPLE NUMBER: PRV-XL-PA4B-740-U-T4W-BZ

Product Family ^{1,2}	Light Engine		Color Temperature	Voltage	Distribution	Mounting (Included)	Finish		
	Configuration	Drive Current ⁴							
PRV-P =Prevail Petite BAA-PRV-P =Prevail Petite BAA Buy American Act Compliant ³ TAA-PRV-P =Prevail Petite TAA Trade Agreements Act Compliant ³	PA1 =1 Panel, 24 LED Rectangle	A =400mA Nominal B =700mA Nominal C =950mA Nominal D =1200mA Nominal	740 =70CRI, 4000K 730 =70CRI, 3000K 750 =70CRI, 5000K 8540 =85CRI, 4000K	U =Universal, 120-277V H=High Voltage, 347-480V 1=120V 2=208V 3=240V 4=277V 8=480V ⁵ 9=347V DV=DuraVolt, 277-480V ^{5,6}	T2R =Type II Roadway T2U =Type II Urban T3 =Type III T4W =Type IV Wide 5WQ =Type V Square Wide	SA =QM Standard Versatile Arm MA =QM Mast Arm FMA =Fixed Mast Arm ²⁷ WM =QM Wall Mount Arm ADJA-WM = Adjustable Arm - Wall Mount ²⁹ ADJA =Adjustable Arm - Pole Mount ²⁹ ADJS =Adjustable Arm - Slipfitter, 3" vertical tenon ²⁹ SP2 =Adjustable Arm - Slipfitter, 2 3/8" vertical tenon ^{27, 29}	AP =Grey BZ =Bronze BK =Black DP =Dark Platinum GM =Graphite Metallic WH =White		
PRV =Prevail BAA-PRV =Prevail BAA Buy American Act Compliant ³ TAA-PRV =Prevail TAA Trade Agreements Act Compliant ³	PA1 =1 Panel, 24 LED Rectangle PA2 =2 Panels, 48 LED Rectangles	A =700mA Nominal B =950mA Nominal							
PRV-XL =PRV XL BAA-PRV-XL =Prevail XL BAA Buy American Act Compliant ³ TAA-PRV-XL =Prevail XL TAA Trade Agreements Act Compliant ³	PA3 =3 Panels, 72 LED Rectangles PA4 =4 Panels, 96 LED Rectangles	A =750mA Nominal B =950mA Nominal							
PRV-M =Prevail Maxx BAA-PRV-M =Prevail Maxx BAA Buy American Act Compliant ³ TAA-PRV-M =Prevail Maxx TAA Trade Agreements Act Compliant ³	PA6 = 6 Panels, 144 LED Rectangles	A =600mA Nominal B =800mA Nominal C =1000mA Nominal D =1200mA Nominal							
Options (Add as Suffix)			Accessories (Order Separately) ^{20,21}						
10K =10kV UL 1449 Fused Surge Protective Device 20MSP =20kV MOV Surge Protective Device 20K =20kV UL 1449 Fused Surge Protective Device F =Single Fuse (Used with Voltages 120, 277 or 347V) FF =Double Fuse (Used with Voltages 208, 240 or 480V) FADC =Field Adjustable Dimming Controller ³⁰ L90 =Optics Rotated 90° Left R90 =Optics Rotated 90° Right CC =Coastal Construction finish ⁹ HSS =House Side Shield (Factory Installed) ⁷ HA =50°C High Ambient Temperature ⁸ PR =NEMA 3-PIN Twistlock Photocontrol Receptacle ¹⁰ PR7 =NEMA 7-PIN Twistlock Photocontrol Receptacle ¹⁰ MS7/DIM-L08 =Motion Sensor for Dimming Operation, Up to 8' Mounting Height ^{11,12,13} MS7/DIM-L20 =Motion Sensor for Dimming Operation, 9' - 20' Mounting Height ^{11,12,13} MS7/DIM-L40 =Motion Sensor for Dimming Operation, 21' - 40' Mounting Height ^{11,12,13} SPB1 =Motion Sensor for Dimming Operation, BLE Interface, Up to 8' Mounting Height ^{11,14} SPB2 =Motion Sensor for Dimming Operation, BLE Interface, 8' - 20' Mounting Height ^{11,14,27,28} SPB4 =Motion Sensor for Dimming Operation, BLE Interface, 21' - 40' Mounting Height ^{11,14,28}			WPS2XX =Wavelinx Pro, SR Driver, Dimming Motion and Daylight, WAC Programmable, 7' - 15' Mounting Height ^{11,12,15,16,17} WPS4XX =Wavelinx Pro, SR Driver, Dimming Motion and Daylight, WAC Programmable, 15' - 40' Mounting Height ^{11,12,15,16,17} WLS2XX =WaveLinx Lite, SR Driver, Dimming Motion and Daylight, Bluetooth Programmable, 7' - 15' Mounting ^{11,12,15,16,17} WLS4XX =WaveLinx Lite, SR Driver, Dimming Motion and Daylight, Bluetooth Programmable, 15' - 40' Mounting ^{11,12,15,16,17} (See Table Below)=LumenSafe Integrated Network Security Camera ^{18,19}			PRVSA-XX =Standard Arm Mounting Kit ²² PRVMA-XX =Mast Arm Mounting Kit ²² PRVWM-XX =Wall Mount Kit ²² PRVADJA-XX =Adjustable Arm - Pole Mount Kit ²² PRVADJS-XX =Adjustable Arm - Slipfitter Kit ²² PRVADJA-WM-XX =Adjustable Arm - Wall Mount Kit ²² PRVXLSA-XX =Standard Arm Mounting Kit ²⁸ PRVXLMA-XX =Mast Arm Mounting Kit ²⁸ PRVXLWM-XX =Wall Mount Kit ²⁸ PRV-XL-ADJA-XX =Adjustable Arm - Pole Mount Kit ²⁸ PRV-XL-ADJA-WM-XX = Adjustable Arm - Wall Mount Kit ²⁸ PRV-XL-ADJS-XX = Adjustable Arm - Slipfitter Kit ²⁸ PRV-M-ADJA-XX =Adjustable Arm - Pole Mount Kit ²⁷ PRV-M-ADJS-XX =Adjustable Arm - Slipfitter Kit ²⁷ PRV-M-ADJA-WM-XX =Adjustable Arm - Wall Mount Kit ²⁷ MA1010-XX =Single Tenon Adapter for 3-1/2" O.D. Tenon MA1011-XX =2@180° Tenon Adapter for 3-1/2" O.D. Tenon		MA1017-XX =Single Tenon Adapter for 2-3/8" O.D. Tenon MA1018-XX =2@180° Tenon Adapter for 2-3/8" O.D. Tenon SRA238 =Tenon Adapter from 3" to 2-3/8" PRV/DIS-FDV =Full Drop Visor ²³ PRVXL/DIS-FDV =Full Drop Visor ¹⁸ HSS-VP =House Side Shield Kit, Vertical Panel ^{7,24} HSS-HP =House Side Shield Kit, Horizontal Panel ^{7,24} VGS-ARCH = Panel Drop Shield, Short VGL-ARCH = Panel Drop Shield, Long OA/RA1013 =Photocontrol Shorting Cap OA/RA1014 =NEMA Photocontrol - 120V OA/RA1016 =NEMA Photocontrol - Multi-Tap 105-285V OA/RA1201 =NEMA Photocontrol - 347V OA/RA1027 =NEMA Photocontrol - 480V FSIR-100 =Wireless Configuration Tool for Occupancy Sensor ²⁵ WOLC-7P-10A =WaveLinx Outdoor Control Module (7-PIN) ²⁶	
NOTES: 1. DesignLights Consortium® Qualified. Refer to www.designlights.org Qualified Products List under Family Models for details. 2. Customer is responsible for engineering analysis to confirm pole and fixture compatibility for applications. Refer to installation instructions and pole white paper WPS13001EN for additional support information. 3. Only product configurations with these designated prefixes are built to be compliant with the Buy American Act of 1933 (BAA) or Trade Agreements Act of 1979 (TAA), respectively. Please refer to DOMESTIC.PREFERENCES website for more information. Components shipped separately may be separately analyzed under domestic preference requirements. 4. Nominal drive currents shown here. For actual drive current by configuration, refer to Power and Lumens tables. 5. 480V not to be used with ungrounded or impedance grounded systems. 6. DuraVolt drivers feature added protection from power quality issues such as loss of neutral, transients and voltage fluctuations. Visit www.signify.com/duravolt for more information. 7. House Side Shield not for use with 5WQ distribution. 8. Not available with PATD light engine in Petite housing (PRV-P). 9. Coastal construction finish salt spray tested to over 5,000-hours per ASTM B117, with a scribe rating of 9 per ASTM D1654. 10. If High Voltage (H) or DuraVolt (DV) is specified, use a photocontrol that matches the input voltage used. 11. Controls system is not available in combination with a photocontrol receptacle (PR or PR7) or another controls system (MS SPB). 12. Option not available with High Voltage (H) or DuraVolt (DV). Must specify Universal (U), 347V (9), or 480V (8) voltage. 13. Utilizes the Wattstopper sensor FSP-211. Sensor color white unless specified otherwise via PDR. To field-configure, order FSIR-100 accessory separately. 14. Utilizes the Wattstopper sensor FSP-3XX series. Sensor color determined by product finish. See Sensor Color Reference Table. Field-configures via mobile application. See Controls section for details. 15. Sensor passive infrared (PIR) may be overly sensitive when operating below -20°C (-4°F). 16. In order for the device to be field-configurable, requires WAC Gateway components WAC-PoE and WPOE-120 in appropriate quantities. Only compatible with WaveLinx system and software and requires system components to be installed for operation. See website for more Wavelinx application information. 17. Replace XX with sensor color (WH, BZ or BK). 18. Only available in PRV-XL configurations. 19. Not available with High Voltage (H, DV, 8 or 9) or HA options. Consult LumenSafe system product pages for additional details and compatibility information. 20. Replace XX with paint color. 21. For BAA or TAA requirements, Accessories sold separately will be separately analyzed under domestic preference requirements. Consult factory for further information. 22. Not for use with PRV-XL or PRV-M configurations. 23. Only for use with PRV. Not applicable to PRV-M, PRV-XL, or PRV-P. 24. Must order one per optic/LED when ordering as a field-installable accessory (1, 2, 3, 4, or 6). Refer to House Side Shield reference table for details. 25. This tool enables adjustment to Motion Sensor (MS) parameters including high and low modes, sensitivity, time delay, cutoff and more. Consult your lighting representative for more information. 26. Requires 7-PIN NEMA twistlock photocontrol receptacle (PR7) option. The WOLC-7 cannot be used in conjunction with other controls systems (MS or LWR). Only for use at 120-347V. 27. Only available for PRV-M configurations. 28. Only for use with PRV-XL. 29. Fixed for PRV-M. 30. Cannot be used with PR7 or other motion response control options.									

LumenSafe Integrated Network Security Camera Technology Options (Add as Suffix)

Product Family	Camera Type	Data Backhaul
L=LumenSafe Technology 	H =Dome Camera, High Res Z =Dome Camera, Remote PTZ	C =Cellular, Customer Installed SIM Card A =Cellular, Factory Installed AT&T SIM Card V =Cellular, Factory Installed Verizon SIM Card S =Cellular, Factory Installed Sprint SIM Card E =Ethernet Networking

Project	MSP WAUWATOSA NORTH	Catalog #	PRV-P-PA1D-740-U-T4W-SA-XX	Type	E
Prepared by		Notes		Date	



Lumark

Prevail Discrete LED

Area / Site Luminaire

Product Features



Product Certifications



Interactive Menu

- Ordering Information [page 2](#)
- Mounting Details [page 3, 4](#)
- Optical Configurations [page 5](#)
- Product Specifications [page 5](#)
- Energy and Performance Data [page 6](#)
- Control Options [page 8](#)

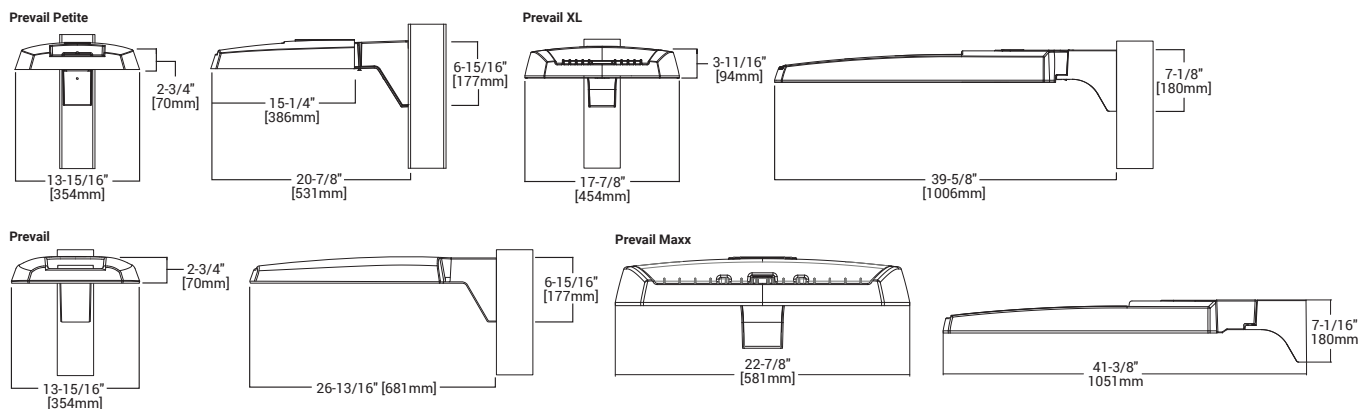
Quick Facts

- Direct-mounted discrete light engine for improved optical uniformity and visual comfort
- Lumen packages range from 4,300 - 68,000 nominal lumens (30W - 550W)
- Replaces 70W up to 1,000W HID equivalents
- Efficacies up to 157 lumens per watt
- Standard universal quick mount arm with universal drill pattern

Connected Systems

- WaveLinX PRO Wireless
- WaveLinX LITE Wireless

Dimensional Details




NOTES:
 1. Visit <https://www.designlights.org/search/> to confirm qualification. Not all product variations are DLC qualified.
 2. IDA Certified for 3000K CCT and warmer only.

Ordering Information

SAMPLE NUMBER: PRV-XL-PA4B-740-U-T4W-BZ

Product Family ^{1,2}	Light Engine		Color Temperature	Voltage	Distribution	Mounting (Included)	Finish		
	Configuration	Drive Current ⁴							
PRV-P =Prevail Petite BAA-PRV-P =Prevail Petite BAA Buy American Act Compliant ³ TAA-PRV-P =Prevail Petite TAA Trade Agreements Act Compliant ³	PA1 =1 Panel, 24 LED Rectangle	A =400mA Nominal B =700mA Nominal C =950mA Nominal D =1200mA Nominal	740 =70CRI, 4000K 730 =70CRI, 3000K 750 =70CRI, 5000K 8540 =85CRI, 4000K	U =Universal, 120-277V H =High Voltage, 347-480V 1=120V 2=208V 3=240V 4=277V 8=480V ⁵ 9=347V DV =DuraVolt, 277-480V ^{5,6}	T2R =Type II Roadway T2U =Type II Urban T3 =Type III T4W =Type IV Wide SWQ =Type V Square Wide	SA =QM Standard Versatile Arm MA =QM Mast Arm FMA =Fixed Mast Arm ²⁷ WM =QM Wall Mount Arm ADJA-WM = Adjustable Arm - Wall Mount ²⁹ ADJA =Adjustable Arm - Pole Mount ²⁹ ADJS =Adjustable Arm - Slipfitter, 3" vertical tenon ²⁹ SP2 =Adjustable Arm - Slipfitter, 2 3/8" vertical tenon ^{27, 29}	AP =Grey BZ =Bronze BK =Black DP =Dark Platinum GM =Graphite Metallic WH =White		
PRV =Prevail BAA-PRV =Prevail BAA Buy American Act Compliant ³ TAA-PRV =Prevail TAA Trade Agreements Act Compliant ³	PA1 =1 Panel, 24 LED Rectangle PA2 =2 Panels, 48 LED Rectangles	A =700mA Nominal B =950mA Nominal							
PRV-XL =PRV XL BAA-PRV-XL =Prevail XL BAA Buy American Act Compliant ³ TAA-PRV-XL =Prevail XL TAA Trade Agreements Act Compliant ³	PA3 =3 Panels, 72 LED Rectangles PA4 =4 Panels, 96 LED Rectangles	A =750mA Nominal B =950mA Nominal							
PRV-M =Prevail Maxx BAA-PRV-M =Prevail Maxx BAA Buy American Act Compliant ³ TAA-PRV-M =Prevail Maxx TAA Trade Agreements Act Compliant ³	PA6 = 6 Panels, 144 LED Rectangles	A =600mA Nominal B =800mA Nominal C =1000mA Nominal D =1200mA Nominal							
Options (Add as Suffix)			Accessories (Order Separately) ^{20,21}						
10K =10kV UL 1449 Fused Surge Protective Device 20MSP =20kV MOV Surge Protective Device 20K =20kV UL 1449 Fused Surge Protective Device F =Single Fuse (Used with Voltages 120, 277 or 347V) FF =Double Fuse (Used with Voltages 208, 240 or 480V) FADC =Field Adjustable Dimming Controller ³⁰ L90 =Optics Rotated 90° Left R90 =Optics Rotated 90° Right CC =Coastal Construction finish ⁹ HSS =House Side Shield (Factory Installed) ⁷ HA =50°C High Ambient Temperature ⁸ PR =NEMA 3-PIN Twistlock Photocontrol Receptacle ¹⁰ PR7 =NEMA 7-PIN Twistlock Photocontrol Receptacle ¹⁰ MS7/DIM-L08 =Motion Sensor for Dimming Operation, Up to 8' Mounting Height ^{11,12,13} MS7/DIM-L20 =Motion Sensor for Dimming Operation, 9' - 20' Mounting Height ^{11,12,13} MS7/DIM-L40 =Motion Sensor for Dimming Operation, 21' - 40' Mounting Height ^{11,12,13} SPB1 =Motion Sensor for Dimming Operation, BLE Interface, Up to 8' Mounting Height ^{11,14} SPB2 =Motion Sensor for Dimming Operation, BLE Interface, 8' - 20' Mounting Height ^{11,14,27,28} SPB4 =Motion Sensor for Dimming Operation, BLE Interface, 21' - 40' Mounting Height ^{11,14,28}			WPS2XX =Wavelinx Pro, SR Driver, Dimming Motion and Daylight, WAC Programmable, 7' - 15' Mounting Height ^{11,12,15,16,17} WPS4XX =Wavelinx Pro, SR Driver, Dimming Motion and Daylight, WAC Programmable, 15' - 40' Mounting Height ^{11,12,15,16,17} WLS2XX =WaveLinx Lite, SR Driver, Dimming Motion and Daylight, Bluetooth Programmable, 7' - 15' Mounting ^{11,12,15,16,17} WLS4XX =WaveLinx Lite, SR Driver, Dimming Motion and Daylight, Bluetooth Programmable, 15' - 40' Mounting ^{11,12,15,16,17} (See Table Below) =LumenSafe Integrated Network Security Camera ^{18,19}			PRVSA-XX =Standard Arm Mounting Kit ²² PRVMA-XX =Mast Arm Mounting Kit ²² PRVWM-XX =Wall Mount Kit ²² PRV-ADJA-XX =Adjustable Arm - Pole Mount Kit ²² PRV-ADJS-XX =Adjustable Arm - Slipfitter Kit ²² PRV-ADJA-WM-XX =Adjustable Arm - Wall Mount Kit ²² PRVXLSA-XX =Standard Arm Mounting Kit ²⁸ PRVXLSMA-XX =Mast Arm Mounting Kit ²⁸ PRVXLWM-XX =Wall Mount Kit ²⁸ PRV-XL-ADJA-XX =Adjustable Arm - Pole Mount Kit ²⁸ PRV-XL-ADJA-WM-XX = Adjustable Arm - Wall Mount Kit ²⁸ PRV-XL-ADJS-XX = Adjustable Arm - Slipfitter Kit ²⁸ PRV-M-ADJA-XX =Adjustable Arm - Pole Mount Kit ²⁷ PRV-M-ADJS-XX =Adjustable Arm - Slipfitter Kit ²⁷ PRV-M-ADJA-WM-XX =Adjustable Arm - Wall Mount Kit ²⁷ MA1010-XX =Single Tenon Adapter for 3-1/2" O.D. Tenon MA1011-XX =2@180° Tenon Adapter for 3-1/2" O.D. Tenon		MA1017-XX =Single Tenon Adapter for 2-3/8" O.D. Tenon MA1018-XX =2@180° Tenon Adapter for 2-3/8" O.D. Tenon SRA238 =Tenon Adapter from 3" to 2-3/8" PRV/DIS-FDV =Full Drop Visor ²³ PRVXL/DIS-FDV =Full Drop Visor ¹⁸ HSS-VP =House Side Shield Kit, Vertical Panel ^{7,24} HSS-HP =House Side Shield Kit, Horizontal Panel ^{7,24} VGS-ARCH = Panel Drop Shield, Short VGL-ARCH = Panel Drop Shield, Long OA/RA1013 =Photocontrol Shorting Cap OA/RA1014 =NEMA Photocontrol - 120V OA/RA1016 =NEMA Photocontrol - Multi-Tap 105-285V OA/RA1201 =NEMA Photocontrol - 347V OA/RA1027 =NEMA Photocontrol - 480V FSIR-100 =Wireless Configuration Tool for Occupancy Sensor ²⁵ WOLC-7P-10A =WaveLinx Outdoor Control Module (7-PIN) ²⁶	
NOTES: 1. DesignLights Consortium® Qualified. Refer to www.designlights.org Qualified Products List under Family Models for details. 2. Customer is responsible for engineering analysis to confirm pole and fixture compatibility for applications. Refer to installation instructions and pole white paper WPS13001EN for additional support information. 3. Only product configurations with these designated prefixes are built to be compliant with the Buy American Act of 1933 (BAA) or Trade Agreements Act of 1979 (TAA), respectively. Please refer to DOMESTIC PREFERENCES website for more information. Components shipped separately may be separately analyzed under domestic preference requirements. 4. Nominal drive currents shown here. For actual drive current by configuration, refer to Power and Lumens tables. 5. 480V not to be used with ungrounded or impedance grounded systems. 6. DuraVolt drivers feature added protection from power quality issues such as loss of neutral, transients and voltage fluctuations. Visit www.signify.com/duravolt for more information. 7. House Side Shield not for use with 5WQ distribution. 8. Not available with PATD light engine in Petite housing (PRV-P). 9. Coastal construction finish salt spray tested to over 5,000-hours per ASTM B117, with a scribe rating of 9 per ASTM D1654. 10. If High Voltage (H) or DuraVolt (DV) is specified, use a photocontrol that matches the input voltage used. 11. Controls system is not available in combination with a photocontrol receptacle (PR or PR7) or another controls system (MS SPB). 12. Option not available with High Voltage (H) or DuraVolt (DV). Must specify Universal (U), 347V (9), or 480V (8) voltage. 13. Utilizes the Wattstopper sensor FSP-211. Sensor color white unless specified otherwise via PDR. To field-configure, order FSIR-100 accessory separately. 14. Utilizes the Wattstopper sensor FSP-3XX series. Sensor color determined by product finish. See Sensor Color Reference Table. Field-configures via mobile application. See Controls section for details. 15. Sensor passive infrared (PIR) may be overly sensitive when operating below -20°C (-4°F). 16. In order for the device to be field-configurable, requires WAC Gateway components WAC-PoE and WPOE-120 in appropriate quantities. Only compatible with WaveLinx system and software and requires system components to be installed for operation. See website for more Wavelinx application information. 17. Replace XX with sensor color (WH, BZ or BK). 18. Only available in PRV-XL configurations. 19. Not available with High Voltage (H, DV, 8 or 9) or HA options. Consult LumenSafe system product pages for additional details and compatibility information. 20. Replace XX with paint color. 21. For BAA or TAA requirements, Accessories sold separately will be separately analyzed under domestic preference requirements. Consult factory for further information. 22. Not for use with PRV-XL or PRV-M configurations. 23. Only for use with PRV. Not applicable to PRV-M, PRV-XL, or PRV-P. 24. Must order one per optic/LED when ordering as a field-installable accessory (1, 2, 3, 4, or 6). Refer to House Side Shield reference table for details. 25. This tool enables adjustment to Motion Sensor (MS) parameters including high and low modes, sensitivity, time delay, cutoff and more. Consult your lighting representative for more information. 26. Requires 7-PIN NEMA twistlock photocontrol receptacle (PR7) option. The WOLC-7 cannot be used in conjunction with other controls systems (MS or LWR). Only for use at 120-347V. 27. Only available for PRV-M configurations. 28. Only for use with PRV-XL. 29. Fixed for PRV-M. 30. Cannot be used with PR7 or other motion response control options.									

LumenSafe Integrated Network Security Camera Technology Options (Add as Suffix)

Product Family	Camera Type	Data Backhaul
L =LumenSafe Technology 	H =Dome Camera, High Res Z =Dome Camera, Remote PTZ	C =Cellular, Customer Installed SIM Card A =Cellular, Factory Installed AT&T SIM Card V =Cellular, Factory Installed Verizon SIM Card S =Cellular, Factory Installed Sprint SIM Card E =Ethernet Networking

Project	MSP WAUWATOSA NORTH	Catalog #	PRV-P-PA1D-740-U-5WQ-SA-XX	Type	F
Prepared by		Notes		Date	



Lumark

Prevail Discrete LED

Area / Site Luminaire

Product Features



Product Certifications



Interactive Menu

- Ordering Information [page 2](#)
- Mounting Details [page 3, 4](#)
- Optical Configurations [page 5](#)
- Product Specifications [page 5](#)
- Energy and Performance Data [page 6](#)
- Control Options [page 8](#)

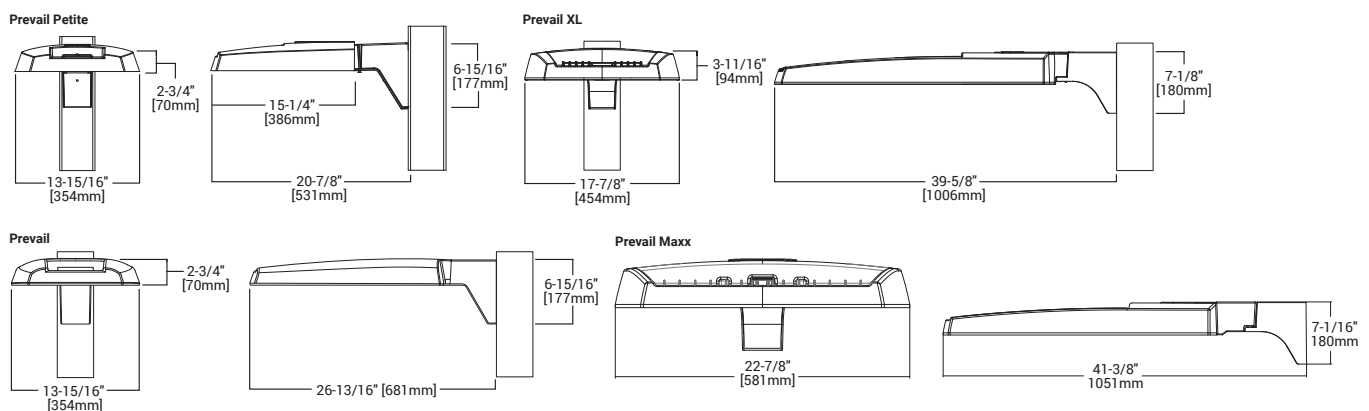
Quick Facts

- Direct-mounted discrete light engine for improved optical uniformity and visual comfort
- Lumen packages range from 4,300 - 68,000 nominal lumens (30W - 550W)
- Replaces 70W up to 1,000W HID equivalents
- Efficacies up to 157 lumens per watt
- Standard universal quick mount arm with universal drill pattern

Connected Systems

- WaveLinX PRO Wireless
- WaveLinX LITE Wireless

Dimensional Details




NOTES:
 1. Visit <https://www.designlights.org/search/> to confirm qualification. Not all product variations are DLC qualified.
 2. IDA Certified for 3000K CCT and warmer only.

Ordering Information

SAMPLE NUMBER: PRV-XL-PA4B-740-U-T4W-BZ

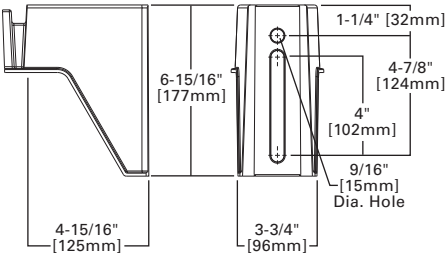
Product Family ^{1,2}	Light Engine		Color Temperature	Voltage	Distribution	Mounting (Included)	Finish		
	Configuration	Drive Current ⁴							
PRV-P =Prevail Petite BAA-PRV-P =Prevail Petite BAA Buy American Act Compliant ³ TAA-PRV-P =Prevail Petite TAA Trade Agreements Act Compliant ³	PA1 =1 Panel, 24 LED Rectangle	A =400mA Nominal B =700mA Nominal C =950mA Nominal D =1200mA Nominal	740 =70CRI, 4000K 730 =70CRI, 3000K 750 =70CRI, 5000K 8540 =85CRI, 4000K	U =Universal, 120-277V H =High Voltage, 347-480V 1=120V 2=208V 3=240V 4=277V 8=480V ⁵ 9=347V DV =DuraVolt, 277-480V ^{5,6}	T2R =Type II Roadway T2U =Type II Urban T3 =Type III T4W =Type IV Wide 5WQ =Type V Square Wide	SA =QM Standard Versatile Arm MA =QM Mast Arm FMA =Fixed Mast Arm ²⁷ WM =QM Wall Mount Arm ADJA-WM = Adjustable Arm - Wall Mount ²⁹ ADJ =Adjustable Arm - Pole Mount ²⁹ ADJS =Adjustable Arm - Slipfitter, 3" vertical tenon ²⁹ SP2 =Adjustable Arm - Slipfitter, 2 3/8" vertical tenon ^{27, 29}	AP =Grey BZ =Bronze BK =Black DP =Dark Platinum GM =Graphite Metallic WH =White		
PRV =Prevail BAA-PRV =Prevail BAA Buy American Act Compliant ³ TAA-PRV =Prevail TAA Trade Agreements Act Compliant ³	PA1 =1 Panel, 24 LED Rectangle PA2 =2 Panels, 48 LED Rectangles	A =700mA Nominal B =950mA Nominal							
PRV-XL =PRV XL BAA-PRV-XL =Prevail XL BAA Buy American Act Compliant ³ TAA-PRV-XL =Prevail XL TAA Trade Agreements Act Compliant ³	PA3 =3 Panels, 72 LED Rectangles PA4 =4 Panels, 96 LED Rectangles	A =750mA Nominal B =950mA Nominal							
PRV-M =Prevail Maxx BAA-PRV-M =Prevail Maxx BAA Buy American Act Compliant ³ TAA-PRV-M =Prevail Maxx TAA Trade Agreements Act Compliant ³	PA6 = 6 Panels, 144 LED Rectangles	A =600mA Nominal B =800mA Nominal C =1000mA Nominal D =1200mA Nominal							
Options (Add as Suffix)			Accessories (Order Separately) ^{20,21}						
10K =10kV UL 1449 Fused Surge Protective Device 20MSP =20kV MOV Surge Protective Device 20K =20kV UL 1449 Fused Surge Protective Device F =Single Fuse (Used with Voltages 120, 277 or 347V) FF =Double Fuse (Used with Voltages 208, 240 or 480V) FADC =Field Adjustable Dimming Controller ³⁰ L90 =Optics Rotated 90° Left R90 =Optics Rotated 90° Right CC =Coastal Construction finish ⁹ HSS =House Side Shield (Factory Installed) ⁷ HA =50°C High Ambient Temperature ⁸ PR =NEMA 3-PIN Twistlock Photocontrol Receptacle ¹⁰ PR7 =NEMA 7-PIN Twistlock Photocontrol Receptacle ¹⁰ MS7/DIM-L08 =Motion Sensor for Dimming Operation, Up to 8' Mounting Height ^{11,12,13} MS7/DIM-L20 =Motion Sensor for Dimming Operation, 9' - 20' Mounting Height ^{11,12,13} MS7/DIM-L40 =Motion Sensor for Dimming Operation, 21' - 40' Mounting Height ^{11,12,13} SPB1 =Motion Sensor for Dimming Operation, BLE Interface, Up to 8' Mounting Height ^{11,14} SPB2 =Motion Sensor for Dimming Operation, BLE Interface, 8' - 20' Mounting Height ^{11,14,27,28} SPB4 =Motion Sensor for Dimming Operation, BLE Interface, 21' - 40' Mounting Height ^{11,14,28}			WPS2XX =Wavelinx Pro, SR Driver, Dimming Motion and Daylight, WAC Programmable, 7' - 15' Mounting Height ^{11,12,15,16,17} WPS4XX =Wavelinx Pro, SR Driver, Dimming Motion and Daylight, WAC Programmable, 15' - 40' Mounting Height ^{11,12,15,16,17} WLS2XX =WaveLinx Lite, SR Driver, Dimming Motion and Daylight, Bluetooth Programmable, 7' - 15' Mounting Height ^{11,12,15,16,17} WLS4XX =WaveLinx Lite, SR Driver, Dimming Motion and Daylight, Bluetooth Programmable, 15' - 40' Mounting Height ^{11,12,15,16,17} (See Table Below) =LumenSafe Integrated Network Security Camera ^{18,19}			PRVSA-XX =Standard Arm Mounting Kit ²² PRVMA-XX =Mast Arm Mounting Kit ²² PRVWM-XX =Wall Mount Kit ²² PRVADJA-XX =Adjustable Arm - Pole Mount Kit ²² PRVADJS-XX =Adjustable Arm - Slipfitter Kit ²² PRVADJA-WM-XX =Adjustable Arm - Wall Mount Kit ²² PRVXLSA-XX =Standard Arm Mounting Kit ²⁸ PRVXLSMA-XX =Mast Arm Mounting Kit ²⁸ PRVXLWM-XX =Wall Mount Kit ²⁸ PRVXL-ADJA-XX =Adjustable Arm - Pole Mount Kit ²⁸ PRVXL-ADJA-WM-XX = Adjustable Arm - Wall Mount Kit ²⁸ PRVXL-ADJS-XX = Adjustable Arm - Slipfitter Kit ²⁸ PRVXL-ADJA-XX =Adjustable Arm - Pole Mount Kit ²⁷ PRV-M-ADJS-XX =Adjustable Arm - Slipfitter Kit ²⁷ PRV-M-ADJA-WM-XX =Adjustable Arm - Wall Mount Kit ²⁷ MA1010-XX =Single Tenon Adapter for 3-1/2" O.D. Tenon MA1011-XX =2@180° Tenon Adapter for 3-1/2" O.D. Tenon		MA1017-XX =Single Tenon Adapter for 2-3/8" O.D. Tenon MA1018-XX =2@180° Tenon Adapter for 2-3/8" O.D. Tenon SRA238 =Tenon Adapter from 3" to 2-3/8" PRV/DIS-FDV =Full Drop Visor ²³ PRVXL/DIS-FDV =Full Drop Visor ¹⁸ HSS-VP =House Side Shield Kit, Vertical Panel ^{7,24} HSS-HP =House Side Shield Kit, Horizontal Panel ^{7,24} VGS-ARCH = Panel Drop Shield, Short VGL-ARCH = Panel Drop Shield, Long OA/RA1013 =Photocontrol Shorting Cap OA/RA1014 =NEMA Photocontrol - 120V OA/RA1016 =NEMA Photocontrol - Multi-Tap 105-285V OA/RA1201 =NEMA Photocontrol - 347V OA/RA1027 =NEMA Photocontrol - 480V FSIR-100 =Wireless Configuration Tool for Occupancy Sensor ²⁵ WOLC-7P-10A =WaveLinx Outdoor Control Module (7-PIN) ²⁶	
NOTES: 1. DesignLights Consortium® Qualified. Refer to www.designlights.org Qualified Products List under Family Models for details. 2. Customer is responsible for engineering analysis to confirm pole and fixture compatibility for applications. Refer to installation instructions and pole white paper WPS13001EN for additional support information. 3. Only product configurations with these designated prefixes are built to be compliant with the Buy American Act of 1933 (BAA) or Trade Agreements Act of 1979 (TAA), respectively. Please refer to DOMESTIC PREFERENCES website for more information. Components shipped separately may be separately analyzed under domestic preference requirements. 4. Nominal drive currents shown here. For actual drive current by configuration, refer to Power and Lumens tables. 5. 480V not to be used with ungrounded or impedance grounded systems. 6. DuraVolt drivers feature added protection from power quality issues such as loss of neutral, transients and voltage fluctuations. Visit www.signify.com/duravolt for more information. 7. House Side Shield not for use with 5WQ distribution. 8. Not available with PATD light engine in Petite housing (PRV-P). 9. Coastal construction finish salt spray tested to over 5,000-hours per ASTM B117, with a scribe rating of 9 per ASTM D1654. 10. If High Voltage (H) or DuraVolt (DV) is specified, use a photocontrol that matches the input voltage used. 11. Controls system is not available in combination with a photocontrol receptacle (PR or PR7) or another controls system (MS SPB). 12. Option not available with High Voltage (H) or DuraVolt (DV). Must specify Universal (U), 347V (9), or 480V (8) voltage. 13. Utilizes the Wattstopper sensor FSP-211. Sensor color white unless specified otherwise via PDR. To field-configure, order FSIR-100 accessory separately. 14. Utilizes the Wattstopper sensor FSP-3XX series. Sensor color determined by product finish. See Sensor Color Reference Table. Field-configures via mobile application. See Controls section for details. 15. Sensor passive infrared (PIR) may be overly sensitive when operating below -20°C (-4°F). 16. In order for the device to be field-configurable, requires WAC Gateway components WAC-PoE and WPOE-120 in appropriate quantities. Only compatible with WaveLinx system and software and requires system components to be installed for operation. See website for more Wavelinx application information. 17. Replace XX with sensor color (WH, BZ or BK). 18. Only available in PRV-XL configurations. 19. Not available with High Voltage (H, DV, 8 or 9) or HA options. Consult LumenSafe system product pages for additional details and compatibility information. 20. Replace XX with paint color. 21. For BAA or TAA requirements, Accessories sold separately will be separately analyzed under domestic preference requirements. Consult factory for further information. 22. Not for use with PRV-XL or PRV-M configurations. 23. Only for use with PRV. Not applicable to PRV-M, PRV-XL, or PRV-P. 24. Must order one per optic/LED when ordering as a field-installable accessory (1, 2, 3, 4, or 6). Refer to House Side Shield reference table for details. 25. This tool enables adjustment to Motion Sensor (MS) parameters including high and low modes, sensitivity, time delay, cutoff and more. Consult your lighting representative for more information. 26. Requires 7-PIN NEMA twistlock photocontrol receptacle (PR7) option. The WOLC-7 cannot be used in conjunction with other controls systems (MS or LWR). Only for use at 120-347V. 27. Only available for PRV-M configurations. 28. Only for use with PRV-XL. 29. Fixed for PRV-M. 30. Cannot be used with PR7 or other motion response control options.									

LumenSafe Integrated Network Security Camera Technology Options (Add as Suffix)

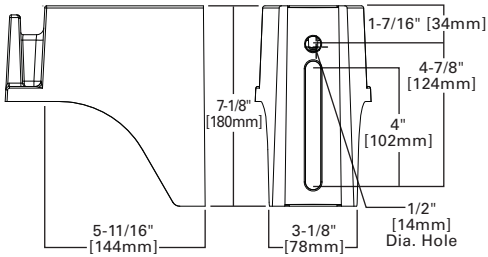
Product Family	Camera Type	Data Backhaul	
L=LumenSafe Technology 	H =Dome Camera, High Res Z =Dome Camera, Remote PTZ	C =Cellular, Customer Installed SIM Card A =Cellular, Factory Installed AT&T SIM Card V =Cellular, Factory Installed Verizon SIM Card	S =Cellular, Factory Installed Sprint SIM Card E =Ethernet Networking

Mounting Details

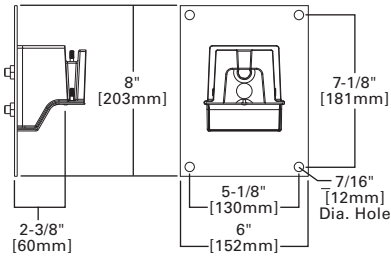
SA=QM Pole Mount Arm (PRV & PRV-P)



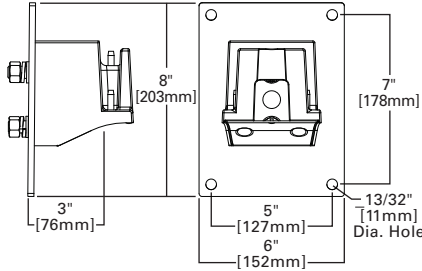
SA=QM Pole Mount Arm (PRV-XL)



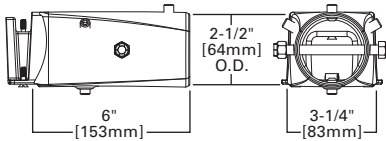
WM=QM Wall Mount Arm (PRV & PRV-P)



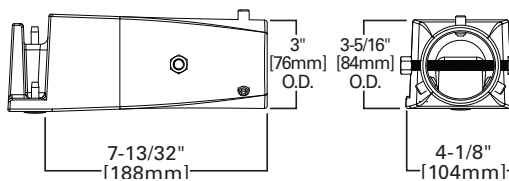
WM=QM Wall Mount Arm (PRV-XL)



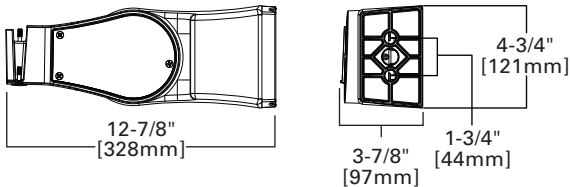
MA=QM Mast Arm (PRV & PRV-P)



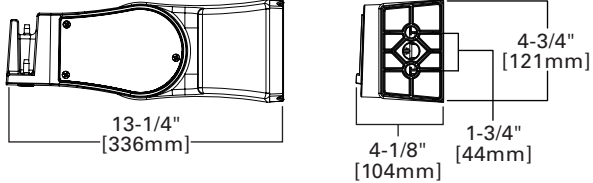
MA=QM Mast Arm (PRV-XL)



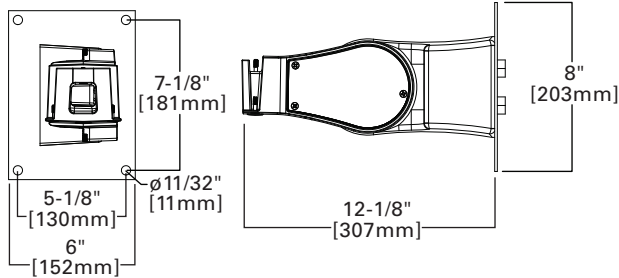
ADJA=Adjustable Arm Pole Mount (PRV & PRV-P)



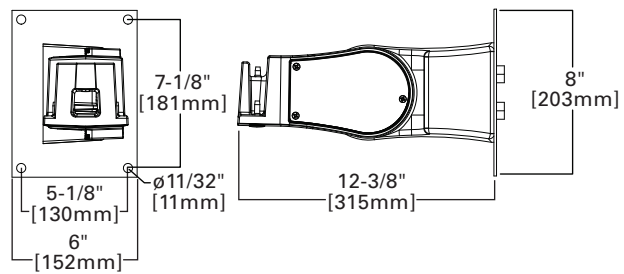
ADJA=Adjustable Arm Pole Mount (PRV-XL)



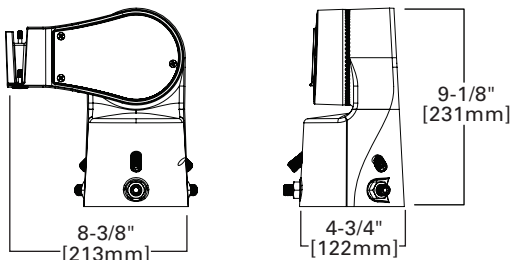
ADJA-WM=Adjustable Arm Wall Mount (PRV & PRV-P)



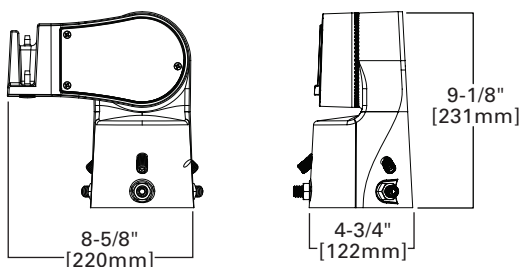
ADJA-WM=Adjustable Arm Wall Mount (PRV-XL)



ADJS=Adjustable Slipfitter 3 (PRV & PRV-P)

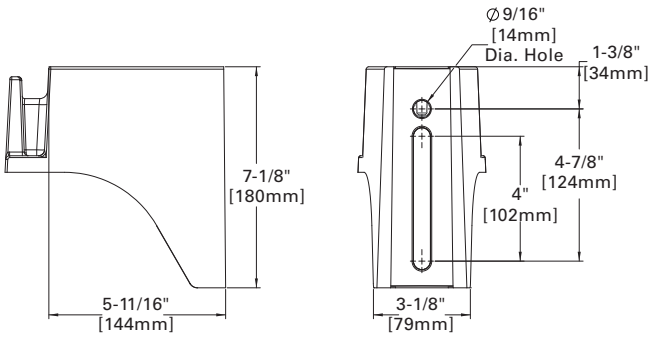


ADJS=Adjustable Slipfitter 3 (PRV-XL)

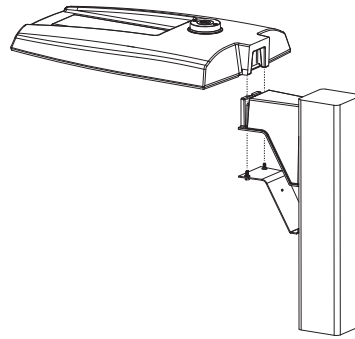


Mounting Details

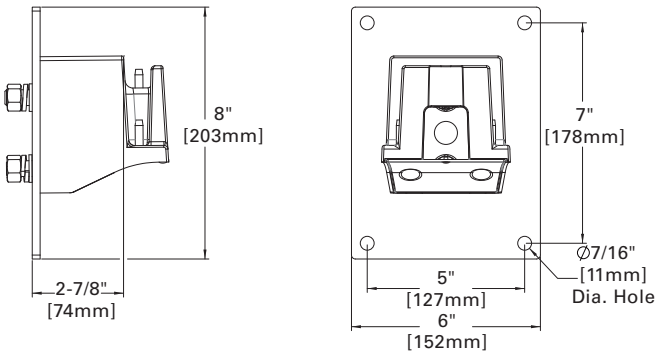
SA=QM Pole Mount Arm (PRV-M)



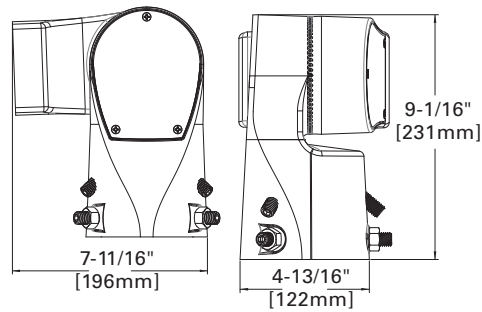
Versatile Mount System



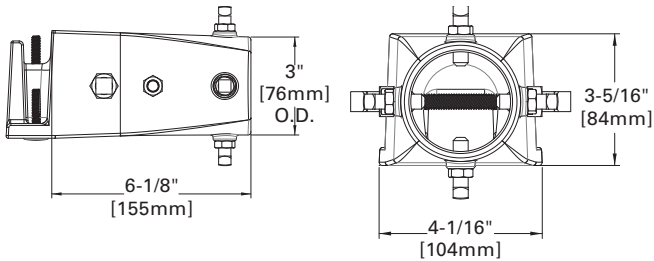
WM=QM Wall Mount Arm (PRV-M)



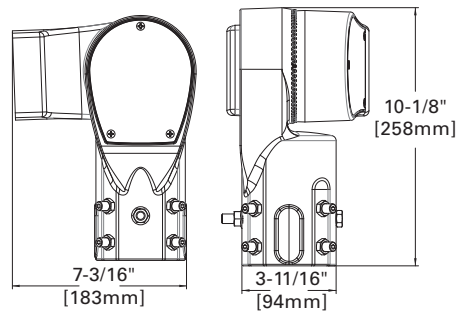
ADJS=Adjustable Slipfitter (PRV-M)



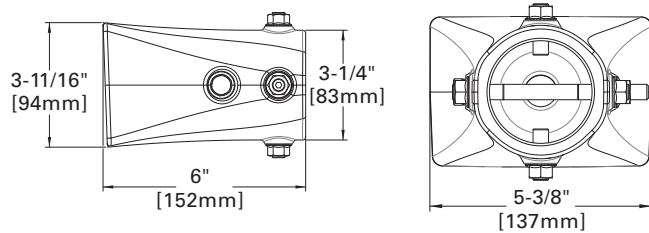
MA=QM Mast Arm (PRV-M)



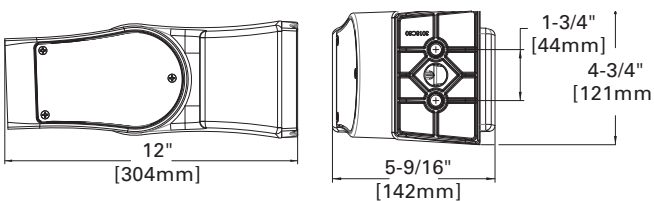
SP2=Adjustable Slipfitter 2-3/8" (PRV-M)



FMA=Fixed Mast Arm (PRV-M)



ADJA=Adjustable Pole Mount Arm (PRV-M)



Mounting Details

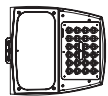
Mounting Configurations and EPAs

NOTE: For 2 PRV's mounted at 90°, requires minimum 3" square or 4" round pole for fixture clearance. For 2 PRV-XL's mounted at 90°, requires minimum 4" square or round pole for fixture clearance. Customer is responsible for engineering analysis to confirm pole and fixture compatibility for applications

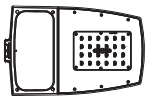
Housing Size	Tilt Angle (Degrees)	Arm Mount Single	Arm Mount 2 @ 180°	Arm Mount 2 @ 90°	Arm Mount 3 @ 90°	Arm Mount 4 @ 90°
Prevail Petite	0°	0.54	1.08	0.84	1.38	1.38
	60°	1.68	1.85	2.42	3.15	3.30
Prevail	0°	0.92	1.35	1.42	1.63	1.63
	60°	2.20	2.40	3.05	3.88	4.07
	60° + Full Drop Visor	2.20	2.40	3.25	4.28	4.47
Prevail XL	0°	1.12	2.25	2.13	2.52	2.52
	60°	3.99	4.30	5.26	6.51	6.79
	60° + Full Drop Visor	3.99	4.30	5.59	7.17	7.49
Prevail Maxx	0°	1.28	2.56	1.7	2.69	2.69
	60°	5.09	5.52	6.34	7.49	7.81

Optical Configurations

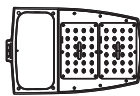
PRV-P-PA1X



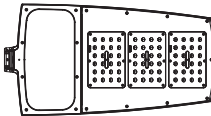
PRV-PA1X



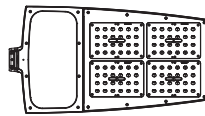
PRV-PA2X



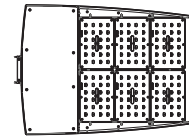
PRV-XL-PA3X



PRV-XL-PA4X



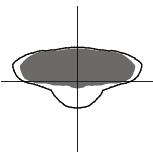
PRV-M-PA6X



Optical Distributions

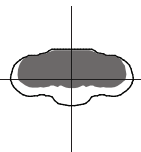
T2R

(Type II Roadway)



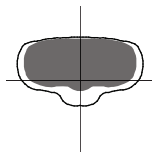
T2U

(Type II Urban)



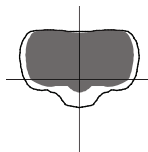
T3

(Type III)



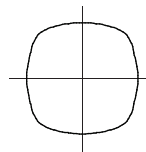
T4W

(Type IV Wide)



5WQ

(Type V Square Wide)



■ = Distribution with House Side Shield (HSS)
□ = Optical Distribution

Product Specifications

Construction

- Single-piece die-cast aluminum housing
- Tethered die-cast aluminum door

Optics

- Dark Sky Approved (3000K CCT and warmer only)
- Precision molded polycarbonate optics

Electrical

- -40°C minimum operating temperature
- 40°C maximum operating temperature
- >.9 power factor
- <20% total harmonic distortion
- Class 1 electronic drivers have expected life of 100,000 hours with <1% failure rate
- 0-10V dimming driver is standard with leads external to the fixture
- Standard MOV surge protective device designed to withstand 10kV of transient line surge

- Luminaire available with the field adjustable dimming controller (FADC) to manually adjust wattage and reduce the total lumen output and light levels; Comes pre-set to the highest position at the lumen output selected

Mounting

- Versatile, patented, standard mount arm accommodates multiple drill patterns ranging from 1-1/2" to 4-7/8" (Type M drilling recommended for new installations)
- A knock-out on the standard mounting arm enables round pole mounting
- Adjustable pole and wall mount arms adjust in 5° increments from 0° to 60°; Downward facing orientation only (Type N drilling required for ADJA mount)
- Adjustable slipfitter arm adjusts in 5° increments from -5° to 85°; Downward facing orientation only
- Prevail and Prevail Petite: 3G vibration rated (all arms)
- Prevail XL Mast Arm: 3G vibration rated

- Prevail XL Standard Arm: 1.5G vibration rated
- Adjustable Arms: 1.5G vibration rated

Finish

- Five-stage super TGIC polyester powder coat paint, 2.5 mil nominal thickness
- Finish is compliant to 3,000 hour salt spray standard (per ASTM B117)

Typical Applications

- Parking lots, Walkways, Roadways and Building Areas

Shipping Data

- Prevail Petite: 18 lbs. (7.94 kgs.)
- Prevail: 20 lbs. (9.09 kgs.)
- Prevail XL: 45 lbs. (20.41 kgs.)
- Prevail Maxx: 49 lbs. (22.23 kgs.)

Warranty

- Five year limited warranty, consult website for details. www.cooperlighting.com/legal

Energy and Performance Data

Power and Lumens

[View PRV-P IES files](#)

[View PRV IES files](#)

[View PRV-XL IES files](#)

Product Family		Prevail Petite				Prevail				Prevail XL				Prevail Maxx			
Light Engine		PA1A	PA1B	PA1C	PA1D	PA1A	PA1B	PA2A	PA2B	PA3A	PA3B	PA4A	PA4B	PA6A	PA6B	PA6C	PA6D
Power (Watts)		31	53	72	93	54	74	113	151	172	234	245	303	274	366	457	544
Drive Current (mA)		375	670	930	1200	670	930	720	970	750	980	785	970	600	800	1000	1200
Input Current @ 120V (A)		0.26	0.44	0.60	0.78	0.45	0.62	0.93	1.26	1.44	1.95	2.04	2.53	2.30	3.05	3.83	4.54
Input Current @ 277V (A)		0.12	0.20	0.28	0.35	0.21	0.28	0.41	0.55	0.62	0.85	0.93	1.12	0.99	1.30	1.62	1.94
Input Current @ 347V (A)		0.10	0.17	0.23	0.29	0.17	0.23	0.33	0.45	0.52	0.70	0.74	0.90	0.78	1.05	1.32	1.60
Input Current @ 480V (A)		0.07	0.13	0.17	0.22	0.12	0.17	0.24	0.33	0.39	0.52	0.53	0.65	0.58	0.76	0.95	1.14
Distribution																	
Type II Roadway	4000K/5000K Lumens	4,505	7,362	9,495	11,300	7,605	9,896	15,811	19,745	24,718	30,648	34,067	39,689	41,611	52,596	61,921	67,899
	BUG Rating	B1-U0-G1	B1-U0-G2	B1-U0-G2	B1-U0-G2	B1-U0-G2	B1-U0-G2	B2-U0-G3	B2-U0-G3	B3-U0-G3	B3-U0-G4	B3-U0-G4	B3-U0-G4	B3-U0-G4	B4-U0-G5	B4-U0-G5	B4-U0-G5
	Lumens per Watt	147	139	132	121	141	134	141	131	144	131	139	131	152	144	135	125
	3000K Lumens ¹	4,103	6,705	8,647	10,291	6,926	9,012	14,399	17,982	22,511	27,912	31,025	36,145	37,896	47,900	56,392	61,837
Type II Roadway w/ HSS	4000K/5000K Lumens	3,727	6,091	7,855	9,349	6,006	7,815	12,487	15,594	19,521	24,204	26,094	31,334	32,874	41,553	48,919	53,642
	BUG Rating	B0-U0-G1	B0-U0-G2	B0-U0-G2	B1-U0-G2	B0-U0-G1	B1-U0-G2	B1-U0-G2	B1-U0-G2	B1-U0-G3	B1-U0-G3	B1-U0-G4	B1-U0-G4	B2-U0-G4	B2-U0-G4	B2-U0-G5	B2-U0-G5
	Lumens per Watt	121	115	109	100	111	106	111	103	113	103	107	103	120	114	107	99
	3000K Lumens ¹	3,394	5,547	7,154	8,514	5,470	7,117	11,372	14,201	17,778	22,043	24,502	28,545	29,939	37,843	44,552	48,853
Type II Urban	4000K/5000K Lumens	4,496	7,347	9,476	11,277	7,597	9,886	15,795	19,724	24,692	30,616	34,031	39,647	41,372	52,294	61,565	67,509
	BUG Rating	B1-U0-G1	B2-U0-G2	B2-U0-G2	B3-U0-G3	B2-U0-G2	B3-U0-G3	B3-U0-G3	B3-U0-G3	B4-U0-G4	B4-U0-G4	B4-U0-G4	B4-U0-G4	B4-U0-G4	B5-U0-G5	B5-U0-G5	B5-U0-G5
	Lumens per Watt	146	139	131	121	141	134	141	131	144	131	139	131	151	143	135	124
	3000K Lumens ¹	4,095	6,691	8,630	10,271	6,919	9,003	14,384	17,963	22,488	27,882	30,992	36,107	37,678	47,625	56,068	61,481
Type II Urban w/ HSS	4000K/5000K Lumens	3,253	5,316	6,856	8,160	5,297	6,893	11,013	13,753	17,217	21,347	23,728	27,644	28,951	36,594	43,082	47,241
	BUG Rating	B1-U0-G1	B1-U0-G1	B1-U0-G2	B1-U0-G2	B1-U0-G1	B1-U0-G2	B1-U0-G2	B2-U0-G2	B2-U0-G2	B2-U0-G3	B2-U0-G3	B3-U0-G4	B3-U0-G4	B3-U0-G4	B3-U0-G5	B3-U0-G5
	Lumens per Watt	106	101	95	87	98	93	97	91	100	91	97	91	106	100	94	87
	3000K Lumens ¹	2,963	4,841	6,244	7,431	4,824	6,277	10,029	12,525	15,680	19,441	21,609	25,176	26,366	33,327	39,235	43,023
Type III	4000K/5000K Lumens	4,443	7,261	9,364	11,145	7,575	9,857	15,749	19,667	24,621	30,527	33,932	39,532	41,155	52,020	61,242	67,155
	BUG Rating	B1-U0-G1	B1-U0-G2	B2-U0-G2	B2-U0-G2	B1-U0-G2	B2-U0-G3	B3-U0-G3	B3-U0-G3	B3-U0-G4	B3-U0-G5	B3-U0-G5	B4-U0-G5	B4-U0-G5	B4-U0-G5	B4-U0-G5	B4-U0-G5
	Lumens per Watt	145	138	130	119	140	133	141	130	143	130	138	130	150	142	134	123
	3000K Lumens ¹	4,046	6,612	8,528	10,150	6,899	8,977	14,343	17,911	22,423	27,802	30,903	36,002	37,480	47,375	55,774	61,159
Type III w/ HSS	4000K/5000K Lumens	3,406	5,566	7,179	8,543	5,592	7,277	11,626	14,519	18,176	22,536	25,049	29,183	30,159	38,121	44,879	49,212
	BUG Rating	B0-U0-G1	B1-U0-G2	B1-U0-G2	B1-U0-G2	B1-U0-G2	B1-U0-G2	B1-U0-G2	B1-U0-G3	B2-U0-G4	B2-U0-G4	B2-U0-G4	B2-U0-G5	B2-U0-G5	B3-U0-G5	B3-U0-G5	B3-U0-G5
	Lumens per Watt	111	105	100	91	104	98	103	96	106	96	102	96	110	104	98	90
	3000K Lumens ¹	3,102	5,069	6,538	7,781	5,093	6,627	10,588	13,222	16,553	20,524	22,813	26,578	27,466	34,717	40,872	44,818
Type IV Wide	4000K/5000K Lumens	4,348	7,106	9,164	10,906	7,484	9,738	15,560	19,431	24,325	30,161	33,525	39,057	41,207	52,086	61,320	67,240
	BUG Rating	B1-U0-G2	B2-U0-G2	B2-U0-G2	B2-U0-G3	B2-U0-G2	B2-U0-G3	B3-U0-G3	B3-U0-G4	B3-U0-G4	B3-U0-G5	B3-U0-G5	B4-U0-G5	B4-U0-G5	B4-U0-G5	B4-U0-G5	B4-U0-G5
	Lumens per Watt	142	135	127	117	139	132	139	129	141	129	137	129	151	142	134	124
	3000K Lumens ¹	3,960	6,471	8,346	9,932	6,816	8,869	14,170	17,696	22,153	27,468	30,531	35,570	37,528	47,435	55,845	61,236
Type IV Wide w/ HSS	4000K/5000K Lumens	3,318	5,422	6,993	8,323	5,420	7,053	11,268	14,072	17,617	24,843	24,279	28,286	30,005	37,926	44,650	48,961
	BUG Rating	B0-U0-G1	B1-U0-G2	B1-U0-G2	B1-U0-G2	B1-U0-G2	B1-U0-G2	B1-U0-G3	B1-U0-G3	B1-U0-G4	B2-U0-G4	B2-U0-G4	B2-U0-G5	B2-U0-G5	B3-U0-G5	B3-U0-G5	B3-U0-G5
	Lumens per Watt	108	103	97	89	100	95	100	93	102	106	99	93	110	104	98	90
	3000K Lumens ¹	3,022	4,938	6,369	7,580	4,936	6,423	10,262	12,816	16,044	19,892	22,111	25,760	27,326	34,540	40,664	44,589
Type V Square Wide	4000K/5000K Lumens	4,497	7,349	9,478	11,280	7,831	10,190	16,281	20,332	25,453	31,559	35,079	40,868	42,947	54,285	63,909	70,079
	BUG Rating	B3-U0-G1	B3-U0-G2	B4-U0-G2	B4-U0-G2	B3-U0-G2	B4-U0-G3	B4-U0-G3	B5-U0-G3	B5-U0-G4	B5-U0-G5	B5-U0-G5	B5-U0-G5	B5-U0-G5	B5-U0-G5	B5-U0-G5	B5-U0-G5
	Lumens per Watt	146	139	131	121	145	138	145	135	148	135	143	135	157	143	136	129
	3000K Lumens ¹	4,095	6,693	8,632	10,273	7,132	9,280	14,827	18,517	23,180	28,741	31,947	37,219	39,112	49,438	58,203	63,822

NOTES:

1. For 3000K or HSS BUG Ratings, refer to published IES files

Energy and Performance Data

House Side Shield Reference Table

Product Family		Prevail	Prevail		Prevail XL		Prevail Maxx
Light Engine		PA1	PA1	PA2	PA3	PA4	PA6
Rotated Optics	Standard	HSS-HP (Qty 1)	HSS-VP (Qty 1)	HSS-HP (Qty 2)	HSS-HP (Qty 3)	HSS-VP (Qty 4)	HSS-HP (qty 6)
	L90 or R90 option	HSS-VP (Qty 1)	HSS-HP (Qty 1)	HSS-VP (Qty 2)	HSS-VP (Qty 3)	HSS-HP (Qty 4)	HSS-VP (qty 6)

Sensor Color Reference Table (SPBx)

Housing Finish	Sensor Color
AP=Grey	Grey
BZ=Bronze	Bronze
BK=Black	Black
DP=Dark Platinum	Grey
GM=Graphite Metallic	Black
WH=White	White

Lumen Multiplier

Ambient Temperature	Lumen Multiplier
0°C	1.02
10°C	1.01
25°C	1.00
40°C	0.99
50°C	0.97

FADC Settings

FADC Postion	Percent of Typical Lumen Output
1	25%
2	48%
3	55%
4	62%
5	72%
6	77%
7	82%
8	85%
9	90%
10	100%

Note: +/-5% typical value

Lumen Maintenance

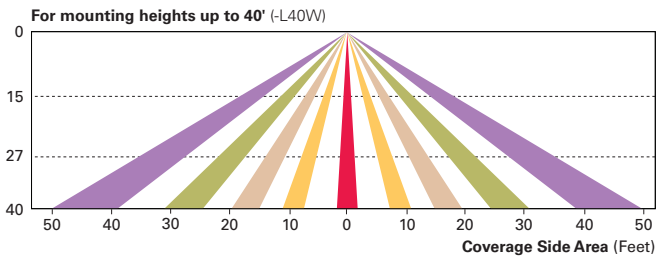
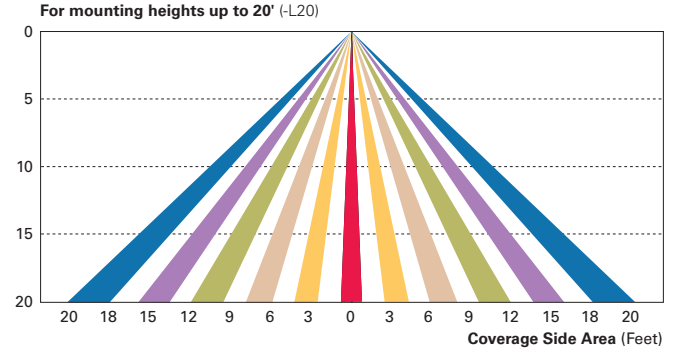
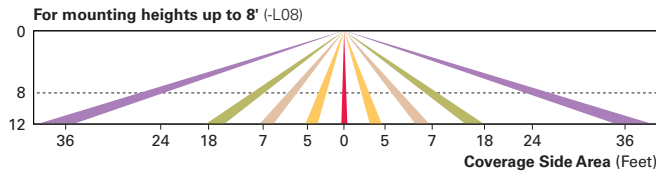
Ambient Temperature	TM-21 Lumen Maintenance (78,000 Hours)	Theoretical L70 (Hours)
Up to 50°C	96.76%	> 896,000

Control Options

0-10V This fixture provides 0-10V dimming wire leads for use with a lighting control panel or other control method.

Photocontrol (PR and PR7) Photocontrol receptacles provide a flexible solution to enable "dusk-to-dawn" lighting by sensing light levels. Advanced control systems compatible with NEMA 7-PIN standards can be utilized with the PR7 receptacle.

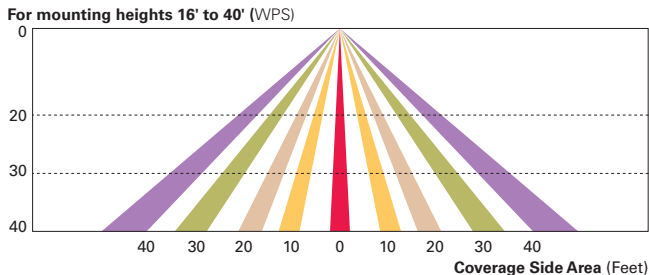
Dimming Occupancy Sensor (SPB, MS/DIM-LXX) These sensors are factory installed in the luminaire housing. When the SPB or MS/DIM sensor options are selected, the luminaire will dim down after five minutes of no activity detected. When activity is detected, the luminaire returns to full light output. These occupancy sensors include an integral photocell for "dusk-to-dawn" control or "daylight harvesting." Factory default is enabled for the MS sensors and disabled for the SPB. SPB motion sensors require the Sensor Configuration mobile application by Wattstopper to change factory default dimming level, time delay, sensitivity and other parameters. Available for iOS and Android devices. The SPB sensor is factory preset to dim down to approximately 10% power with a time delay of five minutes.



WaveLinx Wireless Control and Monitoring System Available in 7-PIN or 4-PIN configurations, the WaveLinx Outdoor control platform operates on a wireless mesh network based on IEEE 802.15.4 standards enabling wireless control of outdoor lighting. At least one Wireless Area Controller (WAC) is required for full functionality and remote communication (including adjustment of any factory pre-sets).

WaveLinx Outdoor Control Module (WOLC-7P-10A) A photocontrol that enables astronomical or time-based schedules to provide ON, OFF and dimming control of fixtures utilizing a 7-PIN receptacle. The out-of-box functionality is ON at dusk and OFF at dawn.

WaveLinx PRO Wireless Sensor (WPS2 and WPS4) These outdoor sensors offer passive infrared (PIR) occupancy sensing and a photocell for closed-loop daylight sensing. These sensors are factory preset to dim down to approximately 50 percent power after 15 minutes of no activity detected, and the photocell for "dusk-to-dawn" control is default enabled. A variety of sensor lenses are available to optimize the coverage pattern for mounting heights from 7'-40'.



LumenSafe (LD) The LumenSafe integrated network camera is a streamlined, outdoor-ready camera that provides high definition video surveillance. This IP camera solution is optimally designed to integrate into virtually any video management system or security software platform of choice. No additional wiring is needed beyond providing line power to the luminaire. LumenSafe features factory-installed power and networking gear in a variety of networking options allowing security integrators to design the optimal solution for active surveillance.

Spec Sheets

SQUARE STRAIGHT STEEL POLES

Specifications, Options, and Accessories

United Lighting Standard's Square Straight Steel Poles are engineered to meet the rigorous demands of the natural environment. The Information below can be used to determine the exact pole needed for a variety of lighting applications.

Please note that standards mounted on structures (parking garages, buildings, bridges, piers, etc.) require factory consultation.

Pole Shaft Specifications

- The pole shaft is one-piece construction — fabricated from a weldable-grade carbon steel structural tubing with a uniform wall thickness. The pole shaft material shall conform to ASTM A-500 Grade B with a minimum yield strength of 46,000 psi. It has a full-length longitudinal resistance weld and is uniformly square in cross section with flat sides, small corner radii, and excellent torsional properties.

Base Plate Cover

- For our anchor-base designs, a full base cover is supplied. The base cover is made of automotive structural grade ABS plastic with a UV inhibitor to eliminate color fading. It is rust proof and tamper resistant.

Anchor Bolts

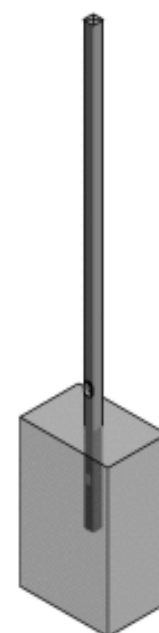
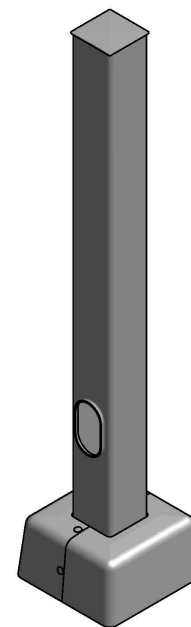
- Complete sets of (4) anchor bolts are included with each of our poles. The size of the bolts are determined by the pole type. Our 3/4" anchor bolts are fully galvanized. All other sizes are partially galvanized on the threaded side of the bolt only. Fully galvanized bolts are available upon request.

Direct Burial

- For embedded designs, an optional alkali-resistant, coal-tar epoxy can be applied to the burial portion of embedded poles. Our direct-burial poles are supplied complete with a 2"x4" wiring slot below grade.

Hand Hole

- All of our straight steel poles come standard with a 3"x5" hand hole, centered at 14" above grade. Each pole comes with a complete ABS hand hole cover assembly to match the finish of the pole.



Wind Loading Data: AASHTO

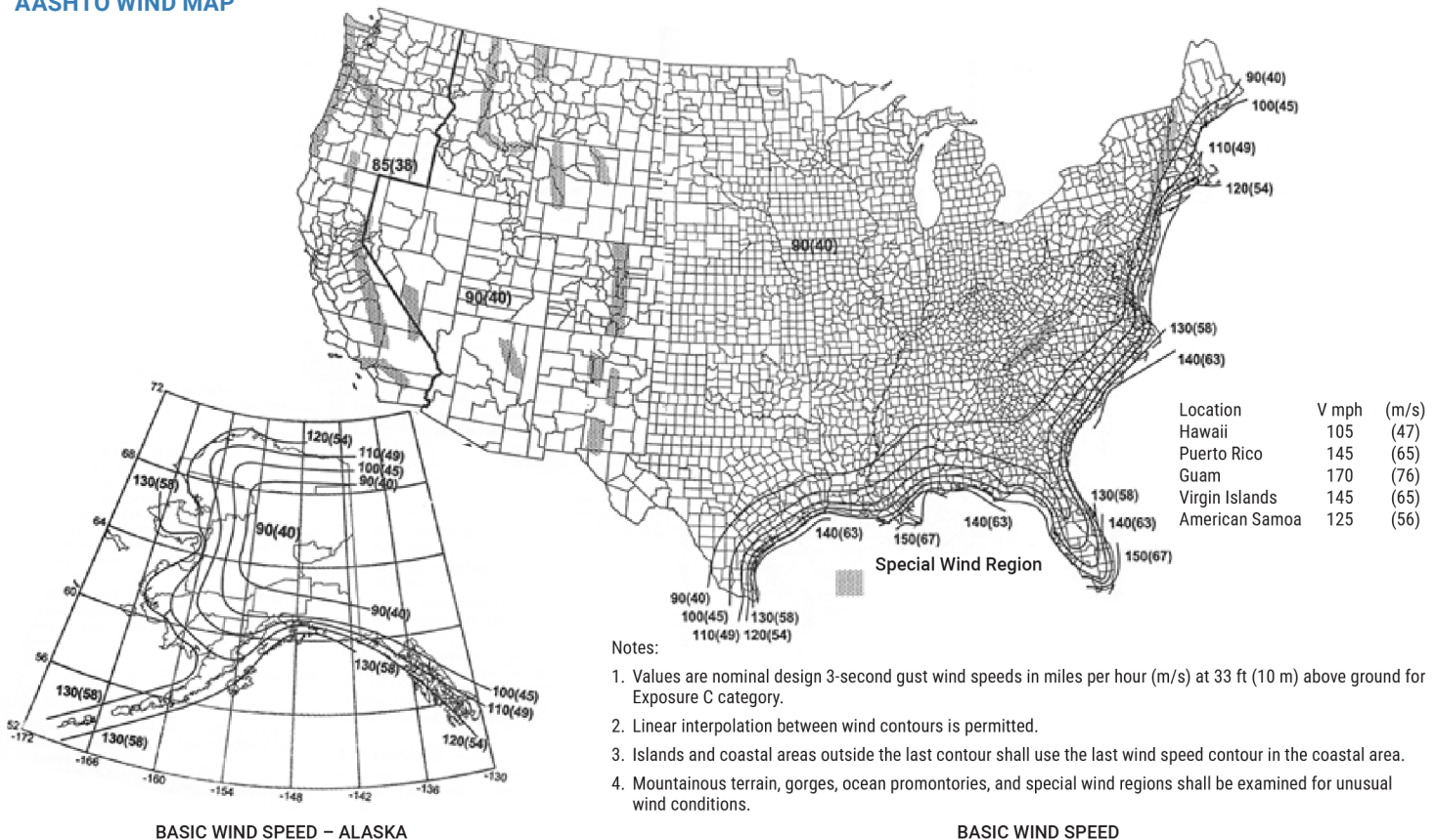
2013 AASHTO LTS-6

ULS PART #	Mounting Height (ft)	Diameter (A)x Wall (B)x Height (C)	Plate	Bolt Circle (Range)	Bolt Dia x Vertical x Horizontal	Max Luminaire Weight	Pole EPA Rating						
							80 MPH	90 MPH	100 MPH	110 MPH	120 MPH	130 MPH	140 MPH
RPSQ 10-4-11	10	4" x 11 ga. x 10'	8" x 0.75"	8.0/9.0" (8.5)	.75 x 17 x 3	200	35.7	27.6	21.8	17.6	14.3	11.8	9.8
RPSQ 12-4-11	12	4" x 11 ga. x 12'	8" x 0.75"	8.0/9.0" (8.5)	.75 x 17 x 3	200	28.6	21.9	17.1	13.5	10.8	8.7	7.1
RPSQ 14-4-11	14	4" x 11 ga. x 14'	8" x 0.75"	8.0/9.0" (8.5)	.75 x 17 x 3	200	23.3	17.6	13.5	10.5	8.2	6.4	5
RPSQ 15-4-11	15	4" x 11 ga. x 15'	8" x 0.75"	8.0/9.0" (8.5)	.75 x 17 x 3	200	21.1	15.8	12	9.2	7.1	5.4	4.1
RPSQ 16-4-11	16	4" x 11 ga. x 16'	8" x 0.75"	8.0/9.0" (8.5)	.75 x 17 x 3	200	19.1	14.2	10.7	8	6	4.5	3.3
RPSQ 18-4-11	18	4" x 11 ga. x 18'	8" x 0.75"	8.0/9.0" (8.5)	.75 x 17 x 3	200	15.6	11.3	8.2	5.9	4.2	2.8	1.8
RPSQ 20-4-11	20	4" x 11 ga. x 20'	8" x 0.75"	8.0/9.0" (8.5)	.75 x 17 x 3	200	12.5	8.7	6	4.1	2.6	1.4	0.4
RPSQ 20-4-7	20	4" x 7 ga. x 20'	8" x 0.75"	8.0/9.0" (8.5)	.75 x 17 x 3	200	19.4	14.3	10.7	8	5.9	4.3	3.1
RPSQ 25-4-11	25	4" x 11 ga. x 25'	8" x 0.75"	8.0/9.0" (8.5)	.75 x 17 x 3	200	6.7	3.9	1.9	0.4	N/A	N/A	N/A
RPSQ 25-4-7	25	4" x 7 ga. x 25'	8" x 0.75"	8.0/9.0" (8.5)	.75 x 17 x 3	200	8.7	8.7	6	3.9	2.3	1.1	N/A
RPSQ 20-5-11	20	5" x 11 ga. x 20'	11" x 0.75"	10.5/11.5" (11.0")	.75 x 17 x 3	200	19.3	13.8	9.8	6.9	4.7	3	1.6
RPSQ 20-5-7	20	5" x 7 ga. x 20'	11" x 1.00"	10.5/11.5" (11.0")	1 x 36 x 4	200	38	28.7	22	17.1	13.3	10.4	8.1
RPSQ 25-5-11	25	5" x 11 ga. x 25'	11" x 0.75"	10.5/11.5" (11.0")	.75 x 17 x 3	200	11.2	7.1	4.1	1.9	0.3	N/A	N/A
RPSQ 25-5-7	25	5" x 7 ga. x 25'	11" x 1.00"	10.5/11.5" (11.0")	1 x 36 x 4	200	25.6	18.6	13.6	9.9	7.1	4.9	3.1
RPSQ 30-5-11	30	5" x 11 ga. x 30'	11" x 0.75"	10.5/11.5" (11.0")	.75 x 17 x 3	200	5.4	2.2	N/A	N/A	N/A	N/A	N/A
RPSQ 30-5-7	30	5" x 7 ga. x 30'	11" x 1.00"	10.5/11.5" (11.0")	1 x 36 x 4	200	17.1	11.6	7.6	4.7	2.5	0.7	N/A
RPSQ 35-5-7	35	5" x 7 ga. x 35'	11" x 1.00"	10.5/11.5" (11.0")	1 x 36 x 4	200	10.7	6.2	3	0.6	N/A	N/A	N/A
RPSQ 25-6-7	25	6" x 7 ga. x 25'	12" x 1.00"	11.0/12.0" (11.5")	1 x 36 x 4	200	38.2	28.1	20.9	15.8	11.5	8.4	5.9
RPSQ 30-6-7	30	6" x 7 ga. x 30'	12" x 1.00"	11.0/12.0" (11.5")	1 x 36 x 4	200	26.9	18.8	13.1	8.8	5.5	3	1
RPSQ 35-6-7	35	6" x 7 ga. x 35'	12" x 1.00"	11.0/12.0" (11.5")	1 x 36 x 4	200	18.2	11.6	6.8	3.3	0.7	N/A	N/A
RPSQ 39-6-7	39	6" x 7 ga. x 39'	12" x 1.00"	11.0/12.0" (11.5")	1 x 36 x 4	200	6.7	6.6	2.6	N/A	N/A	N/A	N/A

For steel poles, we have the ability to modify the base plate to accommodate alternate bolt circles to fit existing anchor bolt patterns. Note that we can only increase the size to the standard bolt circle; we cannot accommodate decreased bolt circle sizes for our cataloged poles. Contact the factory with any questions. New anchor bolts should be set using factory-supplied anchor bolt templates.

Vibration dampeners are recommended for poles 25' and above.

AASHTO WIND MAP



Wind Loading Data: Florida Building Code

2020 FBC / ASCE-7

ULS PART #	Mounting Height (ft)	Diameter (A)x Wall (B)x Height (C)	Plate	Bolt Circle (Range)	Bolt Dia x Vertical x Horizontal	Max Luminaire Weight	Pole EPA Rating						
							120 MPH	130 MPH	140 MPH	150 MPH	160 MPH	170 MPH	180 MPH
RPSQ 10-4-11	10	4" x 11 ga. x 10'	8" x 0.75"	8.0/9.0" (8.5)	.75 x 17 x 3	200	31.1	26	22.1	18.9	16.2	14.1	12.2
						500	29.9	25	21.2	18.1	15.5	13.4	11.8
RPSQ 12-4-11	12	4" x 11 ga. x 12'	8" x 0.75"	8.0/9.0" (8.5)	.75 x 17 x 3	200	24.8	20.7	17.4	14.7	12.5	10.7	9.2
						500	23.8	19.8	16.6	14	11.9	10.2	8.7
RPSQ 14-4-11	14	4" x 11 ga. x 14'	8" x 0.75"	8.0/9.0" (8.5)	.75 x 17 x 3	200	20.3	16.7	13.8	11.5	9.7	8.1	6.8
						500	19.5	15.9	13.2	11	9.2	7.7	6.4
RPSQ 15-4-11	15	4" x 11 ga. x 15'	8" x 0.75"	8.0/9.0" (8.5)	.75 x 17 x 3	200	18.4	15	12.4	10.2	8.5	7	5.8
						500	17.5	14.3	11.8	9.7	8	6.6	5.4
RPSQ 16-4-11	16	4" x 11 ga. x 16'	8" x 0.75"	8.0/9.0" (8.5)	.75 x 17 x 3	200	16.5	13.4	10.9	8.9	7.3	6	4.8
						500	15.7	12.7	10.4	8.4	6.9	5.6	4.5
RPSQ 18-4-11	18	4" x 11 ga. x 18'	8" x 0.75"	8.0/9.0" (8.5)	.75 x 17 x 3	200	13.3	10.6	8.4	6.7	5.3	4.1	3.2
						500	12.6	10	7.9	6.3	4.9	3.8	2.9
RPSQ 20-4-11	20	4" x 11 ga. x 20'	8" x 0.75"	8.0/9.0" (8.5)	.75 x 17 x 3	200	10.6	8.3	6.4	4.9	3.6	2.6	1.7
						500	10	7.8	6	4.5	3.3	2.3	1.5
RPSQ 20-4-7	20	4" x 7 ga. x 20'	8" x 0.75"	8.0/9.0" (8.5)	.75 x 17 x 3	200	11.2	8.8	7	5.4	4.2	3.2	2.3
						500	10.6	8.3	6.5	5.1	3.8	2.9	2
RPSQ 25-4-11	25	4" x 11 ga. x 25'	8" x 0.75"	8.0/9.0" (8.5)	.75 x 17 x 3	200	5.7	3.9	2.4	1.3	0.3	N/A	N/A
						500	5.2	3.5	2	1	N/A	N/A	N/A
RPSQ 25-4-7	25	4" x 7 ga. x 25'	8" x 0.75"	8.0/9.0" (8.5)	.75 x 17 x 3	200	6.4	4.6	3.1	2	1	N/A	N/A
						500	5.9	4.2	2.8	1.7	0.8	N/A	N/A
RPSQ 20-5-11	20	5" x 11 ga. x 20'	11" x 0.75"	10.5/11.5" (11.0")	.75 x 17 x 3	200	13.8	10.8	8.3	6.3	4.7	3.4	2.3
						500	13.3	10.3	7.9	6	4.4	3.1	2
RPSQ 20-5-7	20	5" x 7 ga. x 20'	11" x 1.00"	10.5/11.5" (11.0")	1 x 36 x 4	200	33.2	27.4	22.7	19	15.9	13.3	11.2
						500	32.8	27.1	22.4	18.7	15.7	13.1	11
RPSQ 25-5-11	25	5" x 11 ga. x 25'	11" x 0.75"	10.5/11.5" (11.0")	.75 x 17 x 3	200	7.4	5	3.2	1.7	0.4	N/A	N/A
						500	6.9	4.7	2.8	1.4	N/A	N/A	N/A
RPSQ 25-5-7	25	5" x 7 ga. x 25'	11" x 1.00"	10.5/11.5" (11.0")	1 x 36 x 4	200	22.5	18	14.5	11.6	9.3	7.3	5.7
						500	22.2	17.7	14.2	11.4	9.1	7.1	5.5
RPSQ 30-5-11	30	5" x 11 ga. x 30'	11" x 0.75"	10.5/11.5" (11.0")	.75 x 17 x 3	200	2.7	0.8	N/A	N/A	N/A	N/A	N/A
						500	2.3	0.5	N/A	N/A	N/A	N/A	N/A
RPSQ 30-5-7	30	5" x 7 ga. x 30'	11" x 1.00"	10.5/11.5" (11.0")	1 x 36 x 4	200	15.1	11.5	8.6	6.3	4.5	2.9	1.6
						500	14.8	11.3	8.4	6.2	4.3	2.8	1.5
RPSQ 35-5-7	35	5" x 7 ga. x 35'	11" x 1.00"	10.5/11.5" (11.0")	1 x 36 x 4	200	9.5	6.5	4.2	2.3	0.7	N/A	N/A
						500	9.3	6.3	4	2.1	0.6	N/A	N/A
RPSQ 25-6-7	25	6" x 7 ga. x 25'	12" x 1.00"	11.0/12.0" (11.5")	1 x 36 x 4	200	22	17.3	13.6	10.5	8.1	6	4.3
						500	21.6	17	13.3	10.3	7.9	5.9	4.2
RPSQ 30-6-7	30	6" x 7 ga. x 30'	12" x 1.00"	11.0/12.0" (11.5")	1 x 36 x 4	200	13.9	10.1	7.2	4.7	2.8	1.1	N/A
						500	13.6	9.9	7	4.6	2.6	1	N/A
RPSQ 35-6-7	35	6" x 7" ga. x 35'	12" x 1.00"	11.0/12.0" (11.5")	1 x 36 x 4	200	7.8	4.7	2.2	N/A	N/A	N/A	N/A
						500	7.6	4.5	2	N/A	N/A	N/A	N/A
RPSQ 39-6-7	39	6" x 7 ga. x 39'	12" x 1.00"	11.0/12.0" (11.5")	1 x 36 x 4	200	3.7	1	N/A	N/A	N/A	N/A	N/A
						500	3.5	0.8	N/A	N/A	N/A	N/A	N/A

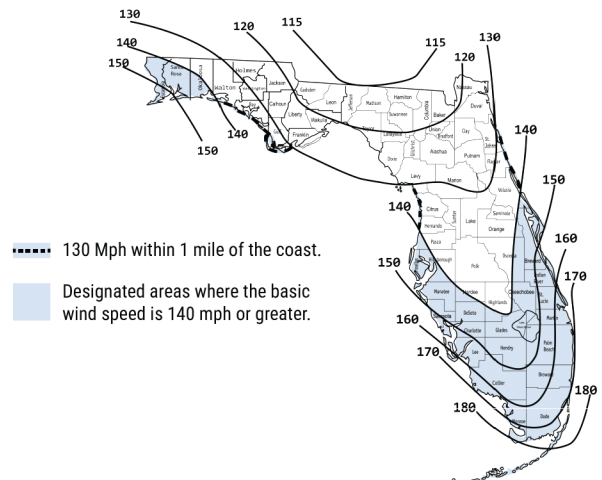
For steel poles, we have the ability to modify the base plate to accommodate alternate bolt circles to fit existing anchor bolt patterns. Note that we can only increase the size to the standard bolt circle; we cannot accommodate decreased bolt circle sizes for our cataloged poles. Contact the factory with any questions. New anchor bolts should be set using factory-supplied anchor bolt templates.

Vibration dampeners are recommended for poles 25' and above.

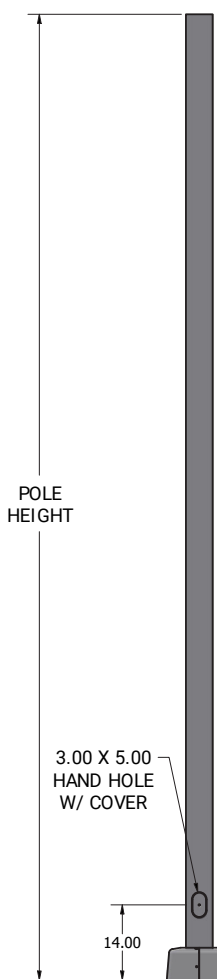
FBC WIND MAP

Notes:

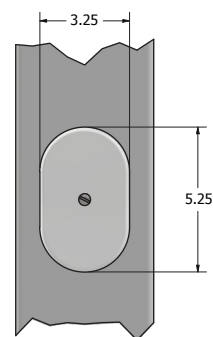
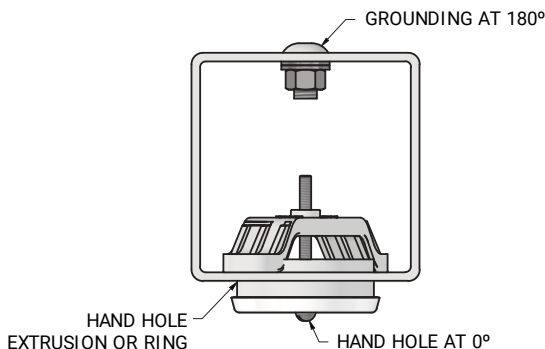
1. Values are nominal design 3-second gust wind speeds in miles per hour (m/s) at 33 ft (10 m) above ground for Exposure C category.
2. Linear interpolation between wind contours is permitted.
3. Islands and coastal areas outside the last contour shall use the last wind speed contour in the coastal area.
4. Mountainous terrain, gorges, ocean promontories, and special wind regions shall be examined for unusual wind conditions.
5. Wind speeds correspond to approximately a 7% probability of exceedance in 50 years (Annual Exceedance Probability = 0.00143, MRI = 700 years).
6. This map is accurate to the county. Local Governments establish specific wind speed/wind-borne debris lines using physical landmarks such as major roads, canals, rivers and shorelines.
7. Within 1 mile (1.61 km) of the mean high-water line where and Exposure D condition exists upwind at the waterline and the ultimate design wind speed, V_{ult} is 130 mph (58 m/s) or greater.
8. Location-specific wind speeds shall be permitted to be determined using the ASCE Wind Design Geodatabase. The ASCE Wind Design Geodatabase can be accessed at the ASCE 7 Hazard Tool (<https://asce7hazardtool.online>) or equivalent.



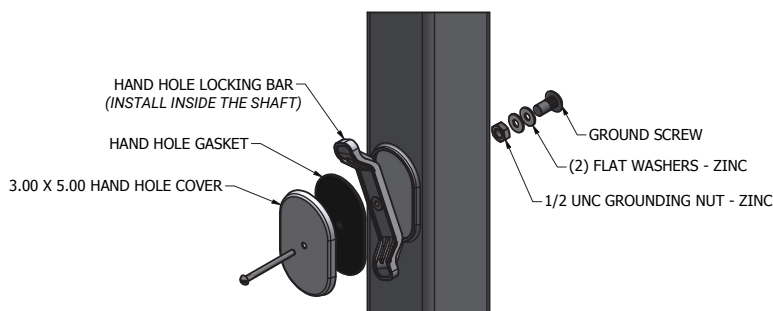
Pole Details



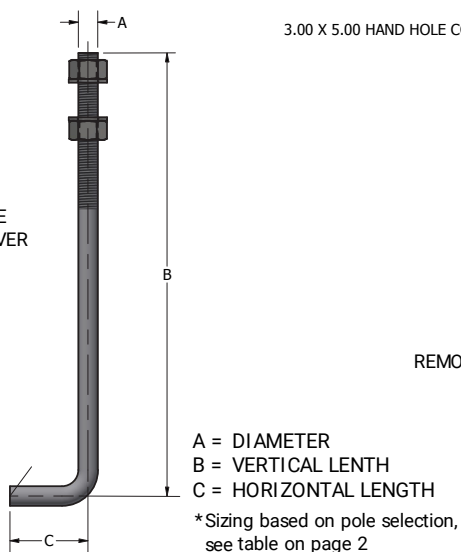
Hand Hole Detail



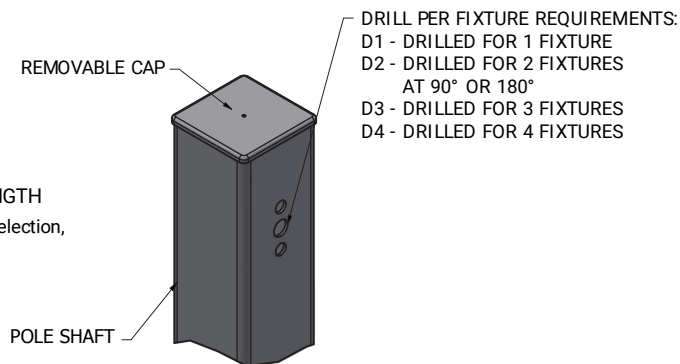
Hand Hole Cover Assembly



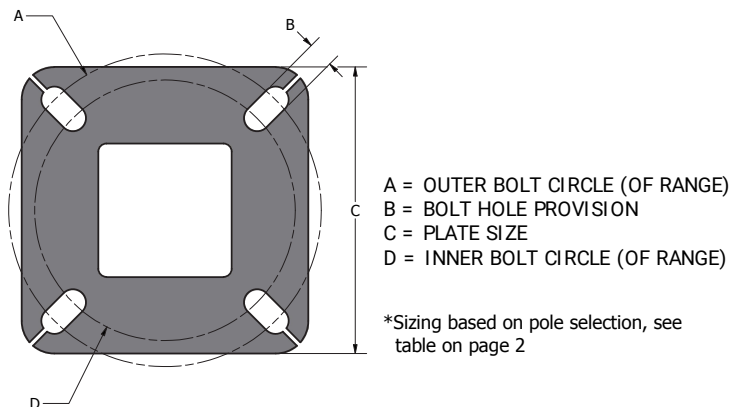
Anchor Bolt Detail



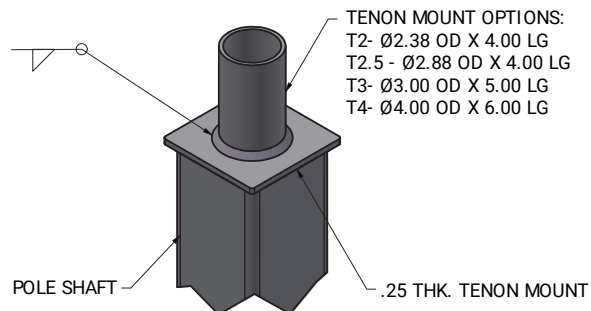
Drill Mount Options



Base Plate / Bolt Circle



Tenon Mount Options



Build Your Part Number

The information below allows you to pull together the exact part number for the Square Straight Steel Pole required for your application. Details about the various options and accessories available can be found on the following pages. Please note that each option and accessory must denote a mounting orientation (hand hole is at 0°) and height from base the of the pole.

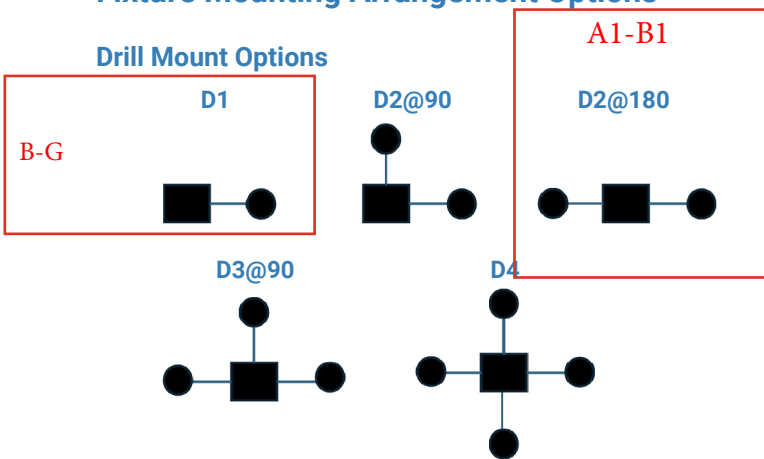
Catalog Number (found in wind load tables)				Mounting Type	Fixture Mounting Arrangement	Finish	Options			Accessories		
Design	Shaft Size	Wall Thickness	Mounting Height				Design	Orientation	Height From Base	Design	Orientation	Height From Base

Mounting Type Options

AB = Anchor Base
 EMB = Embedded (Direct Burial)

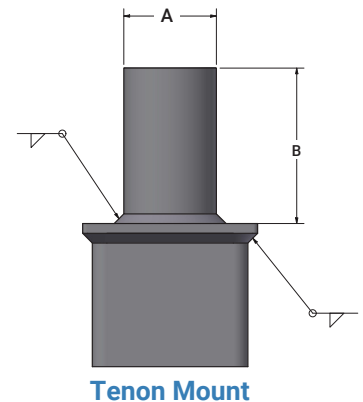
Fixture Mounting Arrangement Options

Drill Mount Options



Tenon Mount Options

Design	Dia. (A)	Length (B)
T2	2.38"	4.00"
T2.5	2.88"	4.00"
T3	3.00"	5.00"
T4	4.00"	6.00"



Finish Options

Standard Finishes

DP = Dark Platinum
 MG = Moss Green
 WH = White
 TWH = Textured White
 DB = Dark Bronze
 HB = Harvest Bronze

TMB = Textured Medium Bronze
 NB = New Bronze
 SL = Silver
 MGY = Medium Gray
 GR = Gray

TGR = Textured Gray
 MA = Matte Aluminum
 PSP = Platinum Silver
 BK = Black
 TBK = Textured Black

Premium Finishes

GM = Graphite Metallic
 DP = Dark Platinum
 MG = Moss Green

Available Options

CSBC = Custom Steel Base Cover
 MODBASE = Modified Steel Base Plate
 VD = Vibration Dampener
 GFI = Ground Fault Circuit Interrupter
 FESTOON = Switch or Receptacle Mounting Provision

CMB = Camera Mounting Bracket
 CMP = Camera Mounting Plate
 WB = Welded Bracket
 WC = Welded Coupling
 WN = Welded Nipple
 PE = Pad Eye
 SCP = Shielded Circuit Provision

XHH = Extra Hand Hole
 FGAB = Fully Galvanized Anchor Bolts
 L/AB = Anchor Bolt Deduct
 UL = UL Listed
 CSA = CSA Listed
 BUY AMERICA = Buy America Act (BAA) Requirement for US-Sourced Steel (must be requested at time of order)

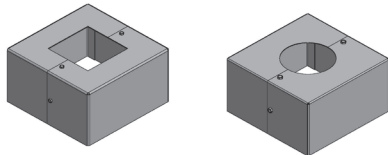
Available Accessories

BA = Banner Arm
 FH = Flag Holder
 FPH = Flower Pot Holder
 PTTA = Pole Top Tenon Adapter
 BAC = Breakaway Couplings
 TTAP = Two-Tier Adapter Plate

Available Options Detail

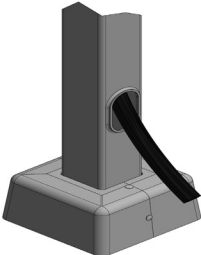
Custom Steel Base Cover

Design	Description
CSBC	Custom Steel Base Cover



Vibration Dampener*

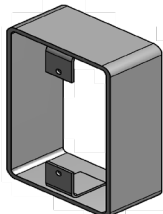
Design	Description
VD	Recommended for use with all poles 25' and higher



*All vibration dampeners are plus freight if purchased and shipped separately.

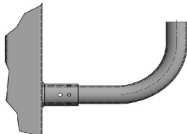
Festoon - Switch or Receptacle Mounting Provision

Design	Description
FESTOON	Mounting provision for customer-supplied switch or standard receptacle.



Welded Bracket

Design	Description
WB	2-3/8" OD Bent Slip-fit Pipe Bracket Welded on Pole



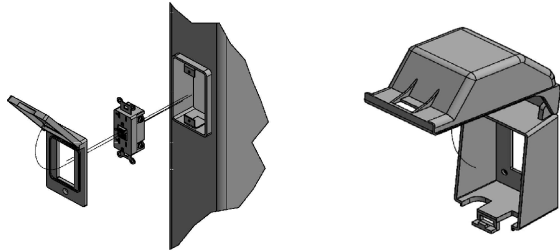
Modified Steel Base Plate*

Catalog Number	Description
MODBASE	Accommodate existing bolt patterns or other required specifications on steel poles. Plates can only be made to increase the standard bolt circle of a pole, smaller bolt circles cannot be accommodated. Bolt circle size must be provided to release an order.

*Includes custom steel base cover to fit

Ground Fault Circuit Interrupter*

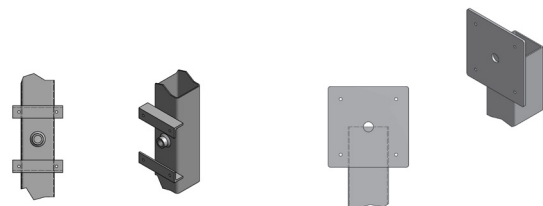
Design	Description
GFI	Weatherproof 15-20 amp, 125V A/C Recessed Ground Fault Circuit Interrupter with In Use Cover



*Requires a mounting location of a minimum of 10" above hand hole to not affect the structural integrity of the pole.


Mounting Bracket

Design	Description
CMB	Mounting Bracket
CMP	Mounting Plate



Welded Coupling*


Design	Description
WC	Threaded Pipe Coupling with Wire Hole Welded to Pole



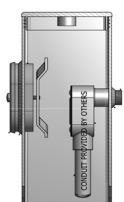
*See cutsheet on our website for available coupling sizes.

Available Options Detail (continued)

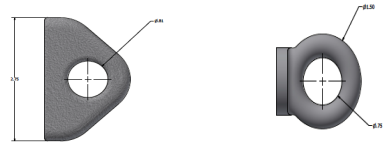
Welded Nipple

Design	Description
WN	Threaded Pipe Nipple with Wire Hole Welded to Pole
	


Shielded Circuit Provision

Design	Description
SCP	Shielded Circuit Mounting Provision
	

Pad Eye

Design	Description
PE	Welded Padeye Provision Available in Aluminum or Steel to Match Pole
	

Extra Hand Hole*

Design	Description
XHH	Extra Hand Hole Provision Located as Specified on Order
	

*Includes hand hole cover assembly.

Fully Galvanized Anchor Bolts*

Catalog Number	Description (in.)
FGAB	3/4" x 20"
	3/4" x 28"
	1" o.d.
	1.5" o.d.



*3/4" x 20" standard bolt is fully galvanized, all other anchor bolts are partially galvanized on the threaded end only.

Anchor Bolt Deduct – Used When Customer Does Not Want Anchor Bolts Shipped

Catalog Number	Description
L/AB	Deduct amount for all 3/4" anchor bolts (see pole type matrices for anchor bolt size)
	Deduct amount for all 1" anchor bolts (see pole type matrices for anchor bolt size)

UL or CSA Listing

Catalog Number	Description
UL	Poles can be ordered to meet UL requirements. "UL" must appear in the part number. UL Listed poles include a metal hand hole cover and UL label.
CSA	Poles can be ordered to meet CSA requirements. "CSA" must appear in the part number. CSA approved poles include required grounding provision and CSA label.



LUMINAIRE POLE WITH RESPECT TO ELECTRICAL HAZARDS ONLY <E473617>



CLASS - 3426 03 - LUMINAIRES - LUMINAIRE POLES

CATALOG NUMBER

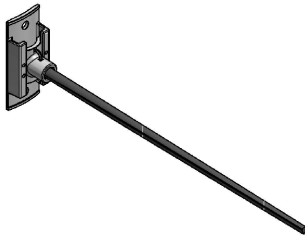
YEAR OF MANUFACTURE

SUITABLE FOR WET LOCATIONS.

Available Accessories Detail

Banner Arm – Includes Top And Bottom Arm

Catalog Number	Description
BA	Banner Arm 25" or 31"



Flower Pot Holder

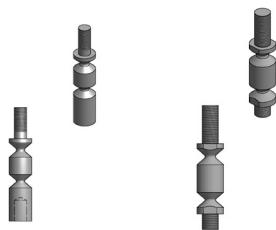
Catalog Number	Description
FPH	Flower Pot Holder



Break Away Couplings*

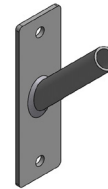
Catalog Number	To Fit Anchor Bolt Size (in.)
BAC-.75-SET	0.75 O.D.
BAC-1.0-SET	1.00 O.D.

*Break away couplings provided with square skirt cover.



Flag Holder

Catalog Number	Description
FH	Flag Holder



Ptta – Square Pole Top Tenon Adapters

Catalog Number	Drill Mount Options	Height (in.)	Pole Size (in. sq.)
PTTA-4SQ-DXX	D1,D2,D3,D4	13	4
PTTA-5SQ-DXX	D1,D2,D3,D4	13	5
PTTA-6SQ-DXX	D1,D2,D3,D4	13	6



Two-Tier Adapter Plate*

Catalog Number	Min Bolt Circle (in.)	Max Bolt Circle (in.)	Included Base Cover
TTAP	-----	12	YES
TTAP-16	12	16	YES

*Includes connecting hardware and Square Steel Base Cover

