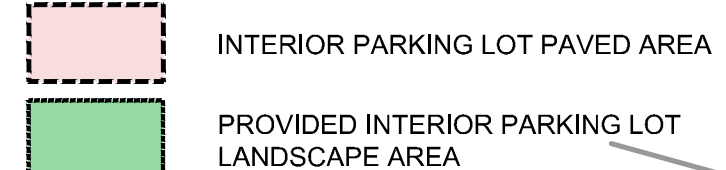


14.02
L100
21393

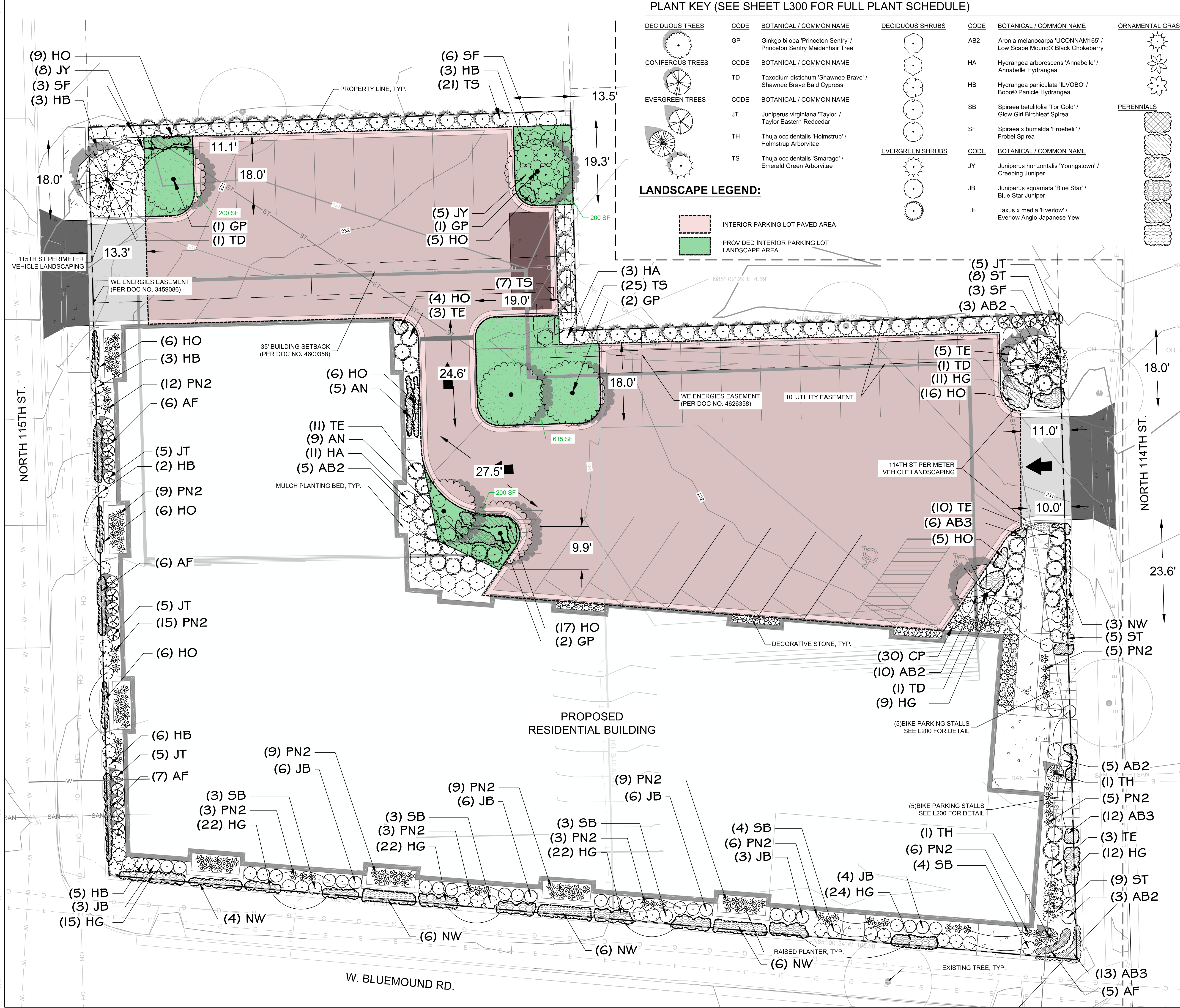
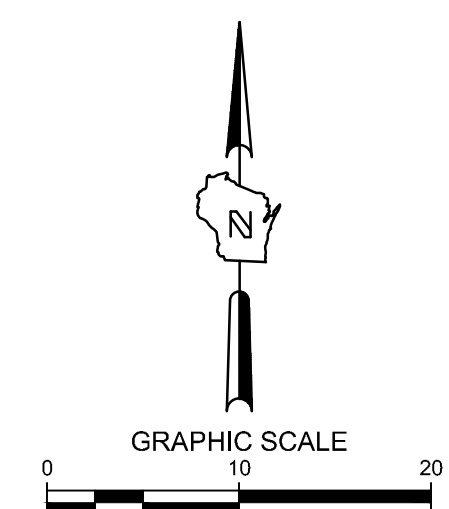
PLANT KEY (SEE SHEET L300 FOR FULL PLANT SCHEDULE)

DECIDUOUS TREES	CODE	BOTANICAL / COMMON NAME	DECIDUOUS SHRUBS	CODE	BOTANICAL / COMMON NAME	ORNAMENTAL GRASSES	CODE	BOTANICAL / COMMON NAME
	GP	Ginkgo biloba 'Princeton Sentry' / Princeton Sentry Maidenhair Tree		AB2	Aronia melanocarpa 'UConnAM165' / Low Scape Mount® Black Chokeberry		CP	Carex pennsylvanica / Pennsylvania Sedge
	TD	Taxodium distichum 'Shawnee Brave' / Shawnee Brave Bald Cypress		HA	Hydrangea arborescens 'Annabelle' / Annabelle Hydrangea		PN2	Panicum virgatum 'Northwind' / Northwind Switch Grass
	JT	Juniperus virginiana 'Taylor' / Taylor Eastern Redcedar		HB	Hydrangea paniculata 'L'Vobo' / Bobo® Panicle Hydrangea		ST	Sporobolus heterolepis 'Tara' / Tara Prairie Dropseed
	TH	Thuja occidentalis 'Holmstrup' / Holmstrup Arborvitae		SB	Spiraea betulifolia 'Tor Gold' / Glow Girl Birchleaf Spirea		AF	Agastache x 'Blue Fortune' / Blue Fortune Anise Hyssop
	TS	Thuja occidentalis 'Smaragd' / Emerald Green Arborvitae		SF	Spiraea x bumalda 'Froebelii' / Fobel Spirea		AB3	Ajuga reptans 'Bronze Beauty' / Bronze Beauty Carpet Bugle
			EVERGREEN SHRUBS	CODE	BOTANICAL / COMMON NAME	PERENNIALS	CODE	BOTANICAL / COMMON NAME
				JY	Juniperus horizontalis 'Youngstown' / Creeping Juniper		AN	Athyrium niponicum pictum / Japanese Painted Fern
				JB	Juniperus squamata 'Blue Star' / Blue Star Juniper		HG	Hemerocallis x 'Little Grapette' / Little Grapette Daylily
				TE	Taxus x media 'Everlow' / Everlow Anglo-Japanese Yew		HO	Heuchera x 'Obsidian' / Obsidian Coral Bells
							NW	Nepeta x faassenii 'Walker's Low' / Walker's Low Catmint

LANDSCAPE LEGEND:



THE SIGMA GROUP
Single Source. Sound Solutions.
 www.thesigmagroup.com
 1300 West Canal Street
 Milwaukee, WI 53233
 Phone: 414-643-4200
 Fax: 414-643-4210



CITY OF WAUWATOSA - BIKE PARKING REQUIREMENTS

BUILDING TOTAL - 41 UNITS	REQUIRED	PROPOSED
SHORT TERM BIKE PARKING	9 SPACES	10 SPACES

CITY OF WAUWATOSA LANDSCAPE CODE - INTERIOR VEHICULAR USE LANDSCAPE AREA

TOTAL INTERIOR PARKING LOT PAVED AREA	11,010 SF
REQUIRED INTERIOR PARKING LANDSCAPE AREA	1,101 SF
PROVIDED INTERIOR PARKING LANDSCAPE AREA	1,215 SF
REQUIRED INTERIOR PARKING TREES	6 TREES
PROVIDED INTERIOR PARKING TREES	6 TREES

CITY OF WAUWATOSA LANDSCAPE CODE - PERIMETER VEHICLE LANDSCAPING (114TH ST)

TOTAL PERIMETER VEHICLE AREA	42 LF
REQUIRED TREES	2 TREE
PROVIDED TREES	2 TREES
REQUIRED SHRUBS	6 SHRUBS
PROVIDED SHRUBS	29 SHRUBS

CITY OF WAUWATOSA LANDSCAPE CODE - PERIMETER VEHICLE LANDSCAPING (115TH ST)

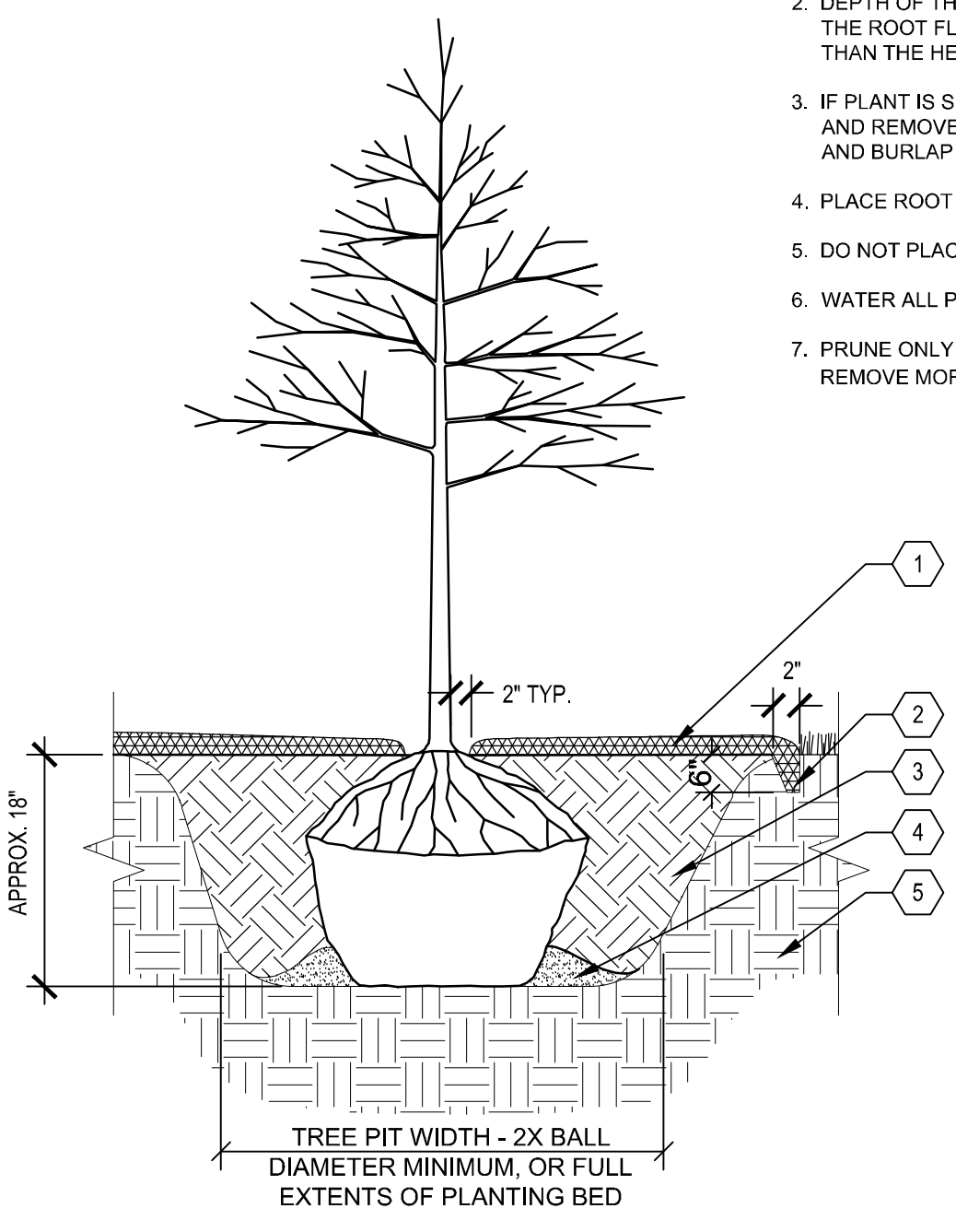
TOTAL PERIMETER VEHICLE AREA	18 LF
REQUIRED TREES	1 TREE
PROVIDED TREES	1 TREE
REQUIRED SHRUBS	3 SHRUBS
PROVIDED SHRUBS	11 SHRUBS

- LANDSCAPE GENERAL NOTES:**
1. VERIFY EXISTING AND PROPOSED CONDITIONS, UTILITIES, PIPES, AND STRUCTURES, ETC. PRIOR TO BIDDING AND CONSTRUCTION.
 2. INSPECT THE SITE PRIOR TO COMMENCING WORK. DOCUMENT IN WRITING AND PHOTOGRAPH EXISTING CONDITIONS WITHIN, AND IN AREAS ADJACENT TO THE LIMITS OF CONSTRUCTION. THE LANDSCAPE CONTRACTOR IS RESPONSIBLE FOR ANY DAMAGES NOT DOCUMENTED IN THE PHOTOGRAPHS PRIOR TO COMMENCEMENT OF DEMOLITION ACTIVITIES.
 3. COORDINATE THE INSTALLATION OF PLANT MATERIAL WITH INSTALLATION OF ADJACENT PAVEMENTS, DRAINAGE, CURB RELATED STRUCTURES WITH OTHER TRADES.
 4. RESTORE AREAS OF THE SITE, OR ADJACENT AREAS, WHERE DISTURBED. DAMAGE CAUSED DURING LANDSCAPE INSTALLATION TO EXISTING CONDITIONS AND IMPROVEMENTS IS THE RESPONSIBILITY OF THE LANDSCAPE CONTRACTOR.
 5. CONTRACTOR SHALL THOROUGHLY REVIEW ALL SPECIFICATIONS RELATED TO TREE PROTECTION, SOIL PREPARATION, TURF, GRASSES AND PLANTS. THESE SECTIONS PROVIDE ADDITIONAL INFORMATION ON MATERIALS AND SET STANDARDS FOR QUALITY AND INSTALLATION REQUIREMENTS.
 6. PROVIDE 3" DOUBLE SHREDDED BARK MULCH FOR ALL PLANTED TREES, SHRUBS AND LANDSCAPE BEDS.

114TH AND BLUEMOUND
11430 - 11400 BLUEMOUND ROAD
WAUWATOSA, WISCONSIN
OVERALL LANDSCAPE PLAN

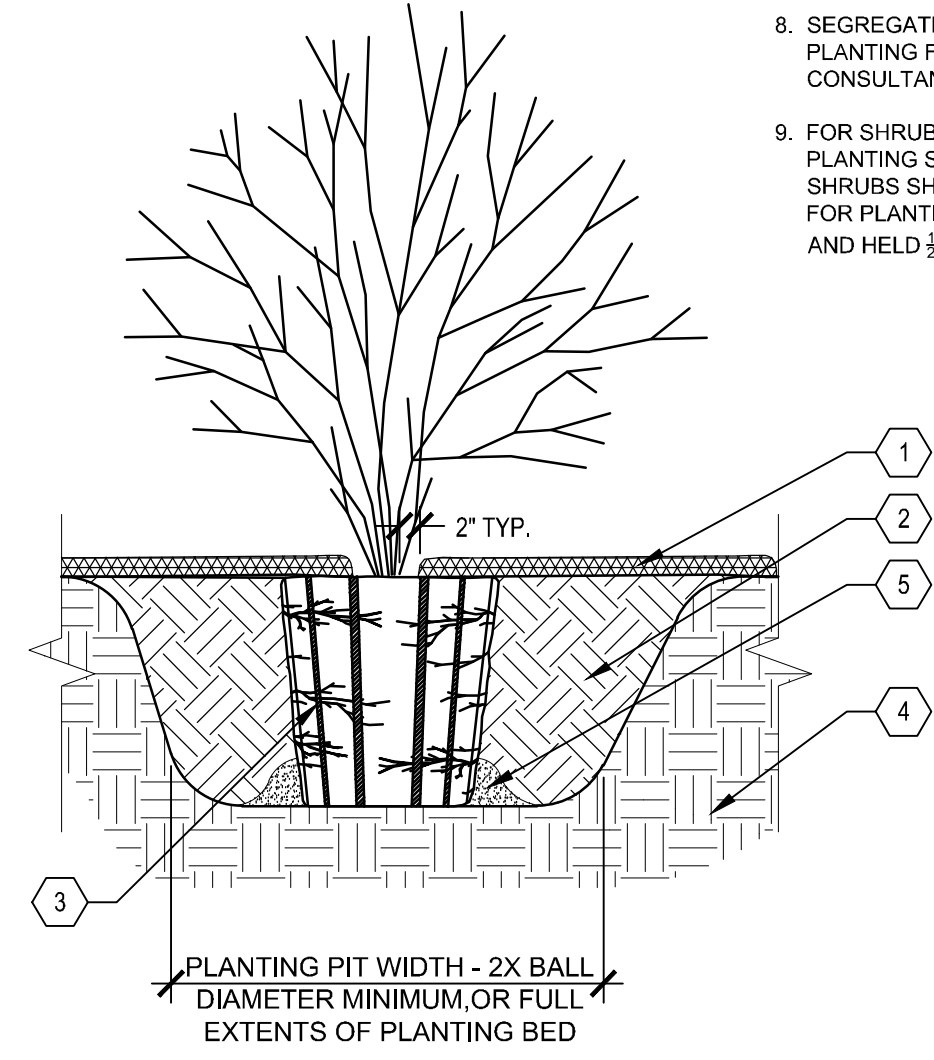
PRELIMINARY
NOT FOR
CONSTRUCTION

SCALE:	1"=10'
PROJECT NO:	21393
DESIGN DATE:	---
PLOT DATE:	2/23/2023
DRAWN BY:	---
CHECKED BY:	---
APPROVED BY:	---
SHEET NO:	L100



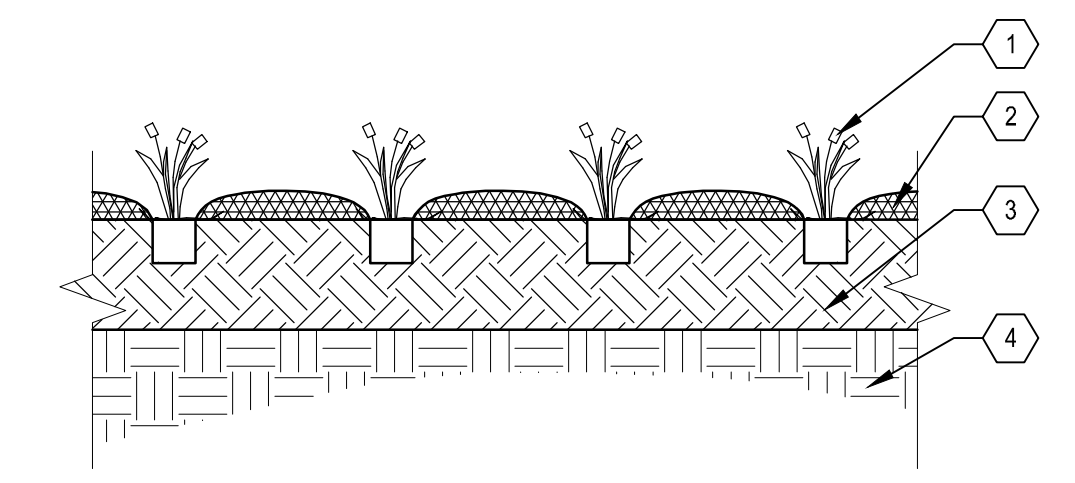
- NOTES:
1. PLANT EACH TREE SUCH THAT THE ROOT FLARE IS VISIBLE AT THE TOP OF THE ROOT BALL. DO NOT COVER THE TOP OF THE ROOT BALL WITH SOIL.
 2. DEPTH OF THE PLANTING HOLE SHOULD BE DETERMINED AND DUG AFTER THE ROOT FLARE IS LOCATED. PLANTING HOLE MUST BE NO DEEPER THAN THE HEIGHT OF THE ROOT BALL.
 3. IF PLANT IS SHIPPED WITH A WIRE BASKET AROUND THE ROOT BALL, CUT AND REMOVE THE WIRE BASKET ENTIRELY, REMOVE ALL TWINE, ROPE, AND BURLAP COMPLETELY FROM ALL ROOT BALLS.
 4. PLACE ROOT BALL ON UNEXCAVATED OR TAMPED SOIL.
 5. DO NOT PLACE MULCH IN CONTACT WITH STEMS.
 6. WATER ALL PLANTS WITHIN 2 HOURS OF INSTALLATION.
 7. PRUNE ONLY AS NECESSARY TO REMOVE UNHEALTHY BRANCHES. DO NOT REMOVE MORE THAN 1/3 OF THE ORIGINAL PLANT MASS.

- KEYED LEGEND
- 1 3" DEPTH SHREDDED HARDWOOD BARK MULCH. PROVIDE 4'-0" DIAMETER MULCH RINGS AT THE BASE OF ANY TREES PLANTED IN LAWN.
 - 2 PROVIDE SPADED EDGE, 2" WIDE, 6" DEEP FOR ENTIRE PERIMETER OF BARK MULCH RINGS AT BASE OF TREES PLANTED IN LAWNS
 - 3 PLANTING SOIL, PLANTING SOIL SHALL BE PLACED IN ONE CONTINUOUS VOLUME FOR THE ENTIRE AREA OF ANY GIVEN PLANT BED.
 - 4 PREPARED SUBGRADE
 - 5 TAMP SOIL AROUND BALL BASE FIRMLY WITH FOOT PRESSURE SO THAT BALL DOES NOT SHIFT



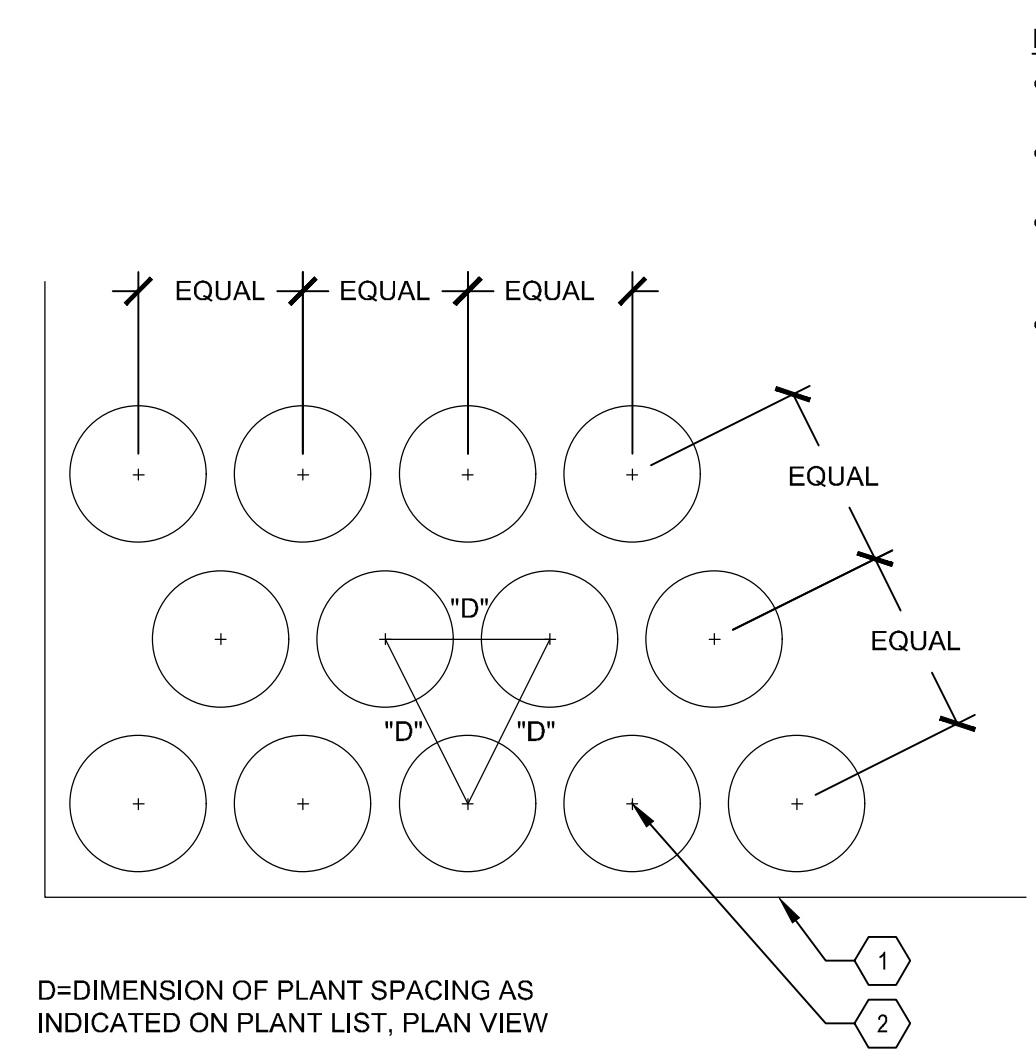
- NOTES:
1. MAKE 1" TO 2" DEEP VERTICAL CUTS EVERY 6" AROUND THE CIRCUMFERENCE OF THE ROOT BALL BEFORE PLANTING TO LOOSEN POT-BOUND ROOTS.
 2. PLANT EACH SHRUB SUCH THAT THE ROOT FLARE IS VISIBLE AT THE TOP OF THE ROOT BALL. DO NOT COVER THE TOP OF THE ROOT BALL WITH SOIL.
 3. PLANTING HOLE MUST NOT BE DEEPER THAN THE HEIGHT OF THE ROOT BALL.
 4. DO NOT PLACE MULCH IN CONTACT WITH STEMS.
 5. PLACE ROOT BALL ON UNEXCAVATED OR TAMPED SOIL.
 6. WATER ALL PLANTS WITHIN 2 HOURS OF INSTALLATION.
 7. PRUNE ONLY AS NECESSARY TO REMOVE UNHEALTHY BRANCHES. DO NOT REMOVE MORE THAN 1/3 OF THE ORIGINAL PLANT MASS.
 8. SEGREGATE ANY SOIL FROM BELOW WARNING LAYER EXCAVATED DURING PLANTING FOR OFF-SITE DISPOSAL. COORDINATE DISPOSAL WITH ENVIRONMENTAL CONSULTANT.
 9. FOR SHRUBS PLANTED WITHIN PLANTING BEDS, CONTRACTOR SHALL PROVIDE PLANTING SOIL CONTINUOUSLY FOR THE ENTIRE PLANTING BED AND INDIVIDUAL SHRUBS SHALL BE PLANTED INTO THE PREPARED PLANTING SOIL. MULCH SURFACE FOR PLANTING BEDS SHALL ALSO BE CONTINUOUS ACROSS THE ENTIRE SURFACE AND HELD 1/2" MIN. TO 1" MAX. BELOW ADJACENT PAVEMENTS.

- KEYED LEGEND
- 1 3" DEPTH TWICE-SHREDDED HARDWOOD BARK MULCH, UNLESS OTHERWISE INDICATED, KEEP 2" CLEAR OF STEMS
 - 2 PLANTING SOIL AS SPECIFIED, PLANTING SOIL SHALL BE PLACED IN ONE CONTINUOUS VOLUME FOR THE ENTIRE AREA OF ANY GIVEN PLANT BED
 - 3 1" TO 2" DEEP VERTICAL CUTS EVERY 6" AROUND PERIMETER
 - 4 PREPARED SUBGRADE
 - 5 TAMP SOIL AROUND BALL BASE FIRMLY WITH FOOT PRESSURE SO THAT BALL DOES NOT SHIFT



- KEYED LEGEND
- 1 PERENNIAL, ORNAMENTAL GRASS, OR GROUNDCOVER PLUG, SEE LANDSCAPE PLAN SHEETS L100-L104
 - 2 3" DEPTH TWICE-SHREDDED HARDWOOD BARK MULCH, UNLESS OTHERWISE INDICATED, KEEP 3" CLEAR OF STEMS
 - 3 PLANTING SOIL, PLANTING SOIL SHALL BE PLACED IN ONE CONTINUOUS VOLUME FOR THE ENTIRE AREA OF ANY GIVEN PLANT BED
 - 4 PREPARED SUBGRADE

C PERENNIAL PLANTING
SCALE: 1"= 1'-0"

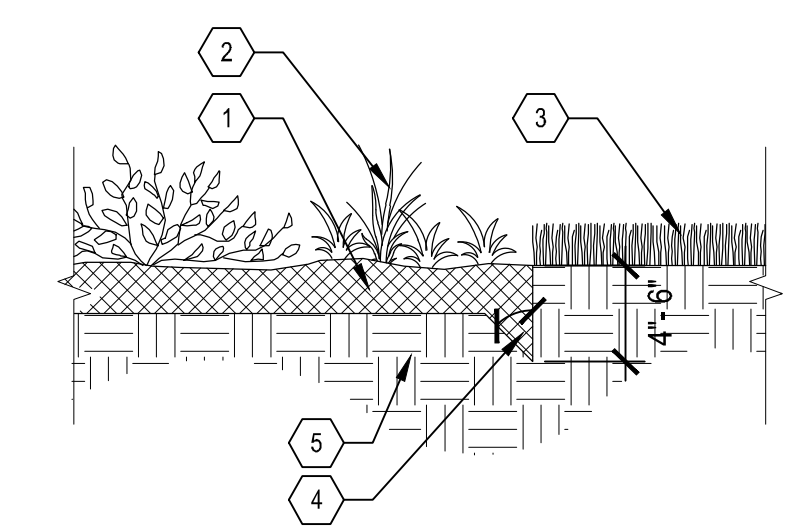


- NOTES
- SET FINISH GRADE OF PLANTING AREA 2" BELOW FINISH SURFACE OF PAVING, CURB, OR HEADER
 - SEE PLANTING SCHEDULE FOR SPACING OF ALL SHRUBS AND GROUNDCOVERS
 - ALL SHRUBS / GROUNDCOVER TO BE PLANTED AT EQUAL SPACING (TRIANGULAR) UNLESS OTHERWISE INDICATED ON PLANS.
 - TO DETERMINE APPROPRIATE PLANT QUANTITIES REFER TO THE PLANTING SCHEDULE OR PLAN.

- KEYED LEGEND
- 1 EDGE OF ADJACENT PAVEMENT
 - 2 SHRUB, PERENNIAL OR ORNAMENTAL GRASS PLANT CENTER LOCATION

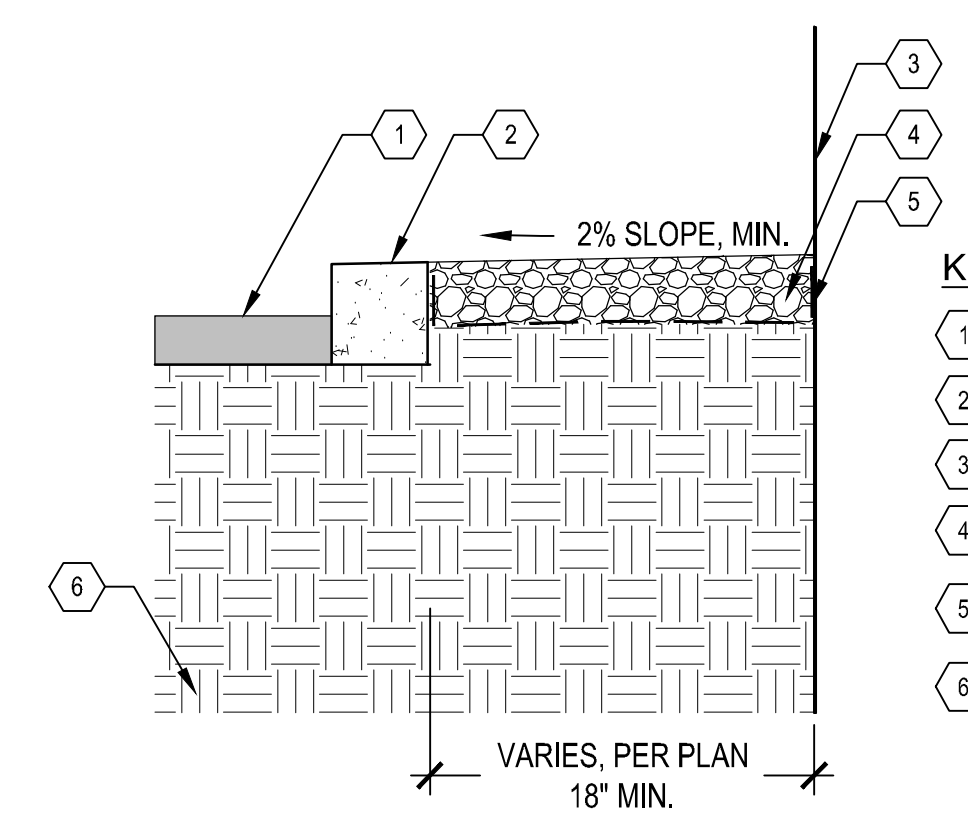
D=DIMENSION OF PLANT SPACING AS INDICATED ON PLANT LIST, PLAN VIEW

E PLANT SPACING
SCALE: 1"= 1'-0"



- KEYED LEGEND
- 1 3" DEPTH OF MULCH LAYER
 - 2 SHRUB PLANTING BED
 - 3 LAWN ADJACENT TO PLANTING BED
 - 4 45 DEGREE ANGLE SHOVEL CUT EDGE TOWARD PLANTING BED
 - 5 COMPACTED SUBGRADE

F SHOVEL CUT EDGE
SCALE: 1"= 1'-0"

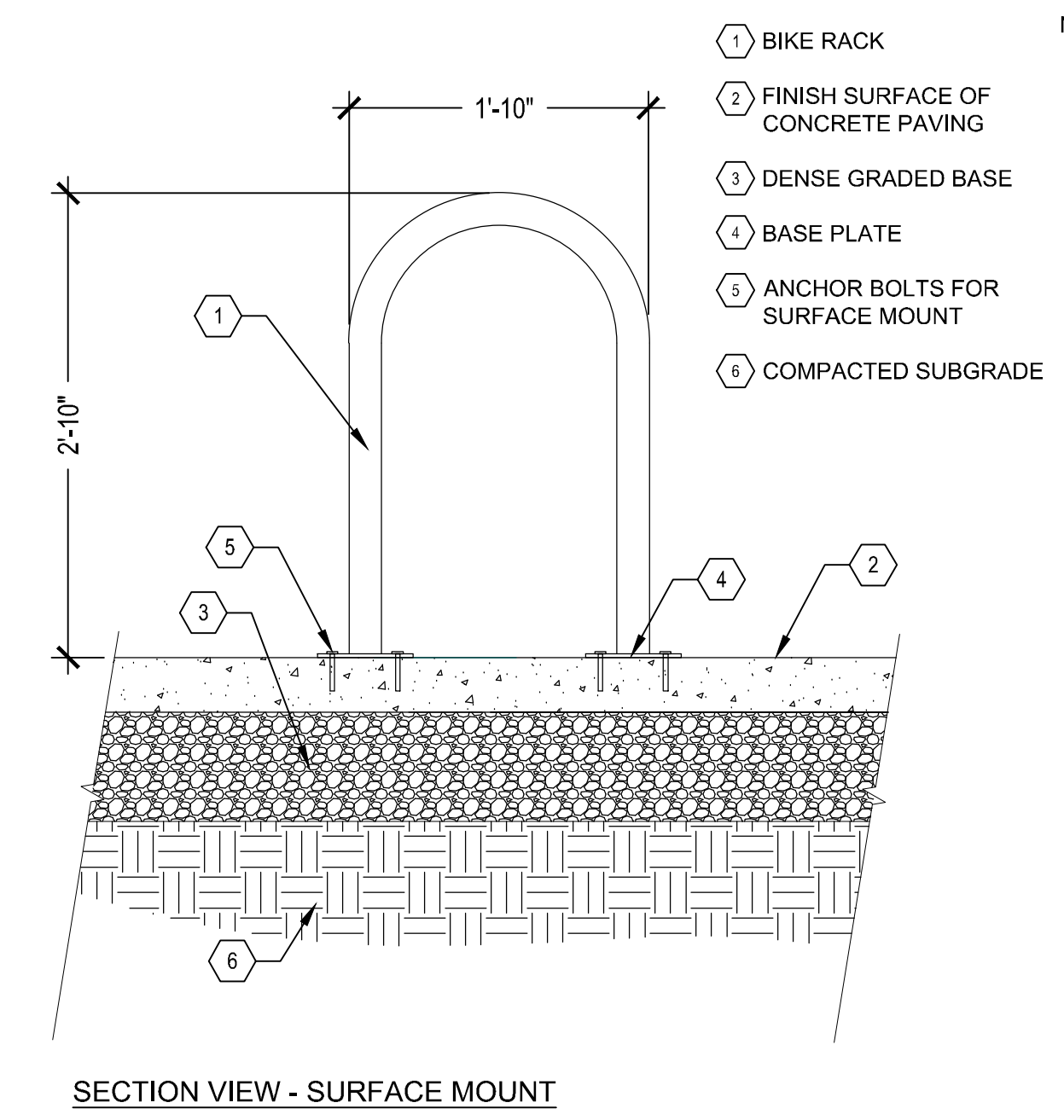


- KEYED LEGEND
- 1 ADJACENT ASPHALT PAVEMENT
 - 2 ADJACENT CONCRETE CURB
 - 3 BUILDING FACE
 - 4 2-3" DEPTH STONE MULCH
 - 5 FILTER FABRIC, WRAP UP SIDES OF BUILDING AND EDGING
 - 6 PREPARED SUBGRADE

G STONE MAINTENANCE STRIP
SCALE: 1"= 1'-0"

A TREE PLANTING
SCALE: 1"= 1'-0"

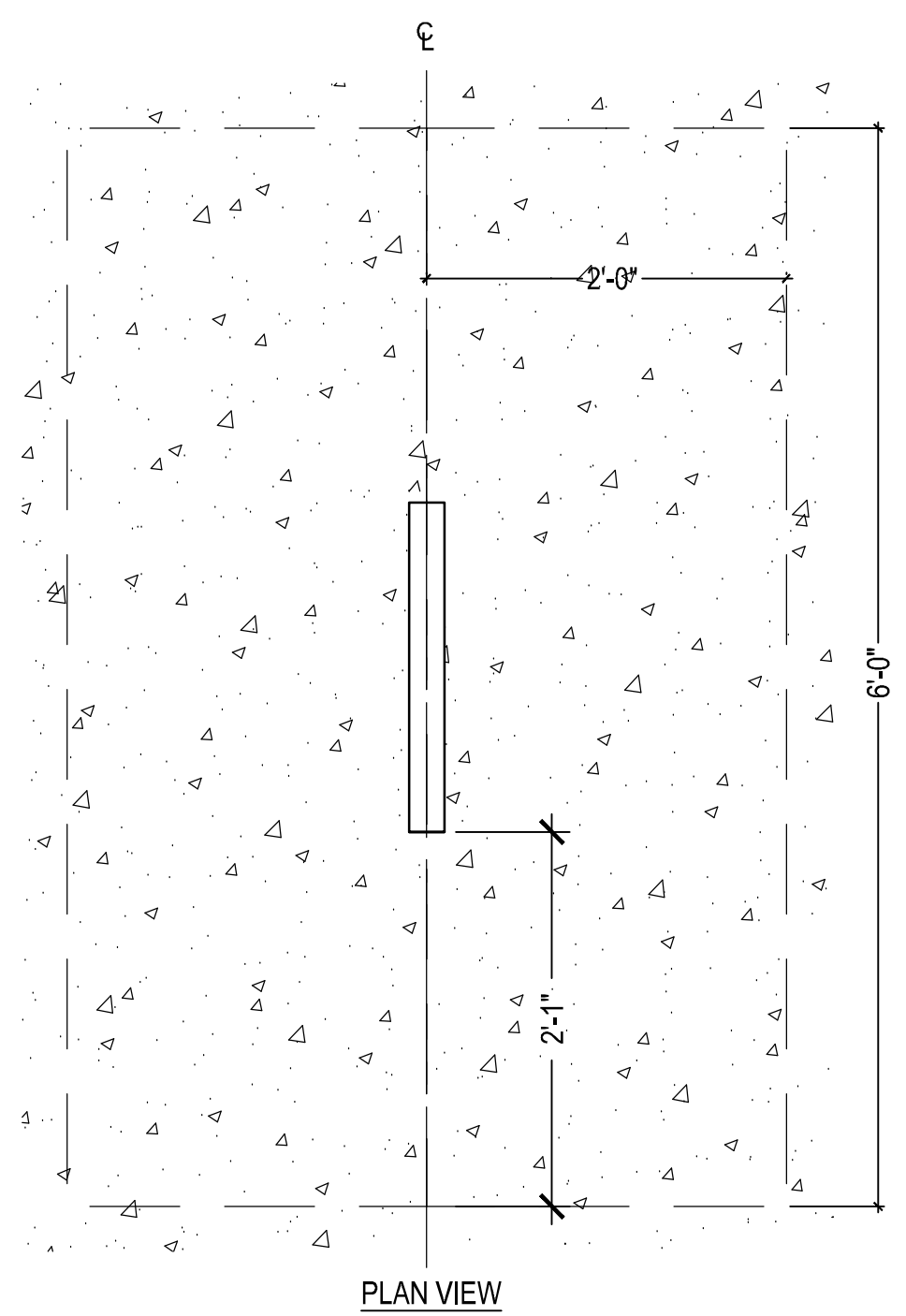
B SHRUB PLANTING
SCALE: 1"= 1'-0"



- NOTE:
1. BASIS OF DESIGN: 1 LOOP WAVE STYLE BIKE RACK AS MANUFACTURED BY ULINE
 2. COLOR AND FINISH: GALVANIZED BLACK POWDER COAT
 3. MOUNTING: SURFACE MOUNT.
 4. INSTALL PRE MANUFACTURER'S RECOMMENDATION.
 5. BIKE STALLS SHALL BE A MINIMUM OF 2' BY 6'. PLACEMENT SHALL NOT RESULT IN A BICYCLE OBSTRUCTING A WALKWAY.
 6. RACKS SHALL BE SPACED MIN. 3'-0" APART & 3'-0" FROM EDGE OF PAVEMENT

- KEYED LEGEND
- 1 BIKE RACK
 - 2 FINISH SURFACE OF CONCRETE PAVING
 - 3 DENSE GRADED BASE
 - 4 BASE PLATE
 - 5 ANCHOR BOLTS FOR SURFACE MOUNT
 - 6 COMPACTED SUBGRADE

D BIKE PARKING
SCALE: 1"= 1'-0"



PLAN VIEW

**PRELIMINARY
NOT FOR
CONSTRUCTION**

SCALE:	
PROJECT NO:	21393
DESIGN DATE:	---
PLOT DATE:	2/23/2023
DRAWN BY:	---
CHECKED BY:	---
APPROVED BY:	---
SHEET NO:	

PLANTING QUALITY ASSURANCE

- 1. PLANTS ARE TO BE INSPECTED UPON DELIVERY TO PROJECT SITE AND THE LANDSCAPE ARCHITECT OR OWNER'S PROJECT REPRESENTATIVE MAY REJECT ANY SPECIMENS NO LONGER MEETING THE SPECIFIED STANDARDS OR THAT HAVE BEEN DAMAGED IN TRANSIT.
2. ALL PLANT MATERIAL SHALL BE TRUE TO SPECIES AND VARIETY/HYBRID/CULTIVAR SPECIFIED, AND NURSERY GROWN IN ACCORDANCE WITH GOOD HORTICULTURAL PRACTICES...
3. TREES:
3.1. SHALL BE TRAINED IN DEVELOPMENT AND APPEARANCE AS TO BE SUPERIOR IN FORM, COMPACTNESS AND SYMMETRY...
3.2. WITH A DAMAGED, CUT OR CROOKED LEADER, ABRASION OF BARK, SUNSCALD, FROST CRACK...
3.3. SHALL HAVE HEALTHY, WELL-DEVELOPED ROOT SYSTEMS...
3.4. BALLED AND BURLAPPED PLANTS SHALL BE DUG WITH SOLID BALLS OF A DIAMETER NOT LESS THAN THAT RECOMMENDED BY THE AMERICAN STANDARDS FOR NURSERY STOCK...
4. PLANTS SHALL CONFORM TO THE MEASUREMENTS SPECIFIED WITHIN THE PLANT SCHEDULE.
5. PER THE CITY OF WAUWATOSA CODE 'PERFORMANCE GUARANTEE'
5.1. IMMEDIATELY FOLLOWING INSTALLATION
5.1.1. LANDSCAPE ARCHITECT SHALL PROVIDE AN AFFIDAVIT STATING THAT THE LANDSCAPING IS INSTALLED PER THE APPROVED PLAN.
5.2. ONE-YEAR OR THREE-YEARS FOLLOWING INSTALLATION
5.2.1. LANDSCAPE ARCHITECT SHALL PERFORM FINAL INSPECTION AND PROVIDE AFFIDAVIT THAT THE LANDSCAPING HAS BEEN MAINTAINED AND ESTABLISHED PER APPROVED PLAN.
5.2.2. FISCAL SECURITY WILL BE RELEASED FOLLOWING INSPECTION BY THE CITY LANDSCAPE ARCHITECT.

PLANTING PROJECT CONDITIONS:

- 1. VERIFY SERVICE AND UTILITY LOCATIONS, AND DIMENSIONS OF CONSTRUCTION CONTIGUOUS WITH NEW PLANTINGS BY FIELD MEASUREMENTS BEFORE PROCEEDING WITH PLANTING WORK.
2. INTERRUPTION OF EXISTING SERVICES OR UTILITIES: DO NOT INTERRUPT SERVICES OR UTILITIES UNLESS PERMITTED UNDER EXISTING CONDITIONS AND THEN ONLY AFTER ARRANGING TO PROVIDE TEMPORARY SERVICES OR UTILITIES ACCORDING TO REQUIREMENTS INDICATED.
2.1. NOTIFY OWNER'S PROJECT REPRESENTATIVE NO FEWER THAN TWO DAYS IN ADVANCE OF PROPOSED INTERRUPTION OF EACH SERVICE OR UTILITY.
2.2. DO NOT PROCEED WITH INTERRUPTION OF SERVICES OR UTILITIES WITHOUT REPRESENTATIVE'S WRITTEN PERMISSION.
3. PLANTING RESTRICTIONS: PLANTING SHALL OCCUR DURING THE FOLLOWING ACCEPTABLE INSTALLATION PERIODS:
3.1. DECIDUOUS TREES AND SHRUBS - APRIL 1 TO OCTOBER 15.
4. WEATHER LIMITATIONS: PROCEED WITH PLANTING ONLY WHEN EXISTING AND FORECASTED WEATHER CONDITIONS PERMIT PLANTING TO BE PERFORMED WHEN BENEFICIAL AND OPTIMUM RESULTS MAY BE OBTAINED...
5. CONTRACTOR SHALL PROTECT ALL EXISTING AND/OR NEWLY INSTALLED PLANTS, LAWNS, AND GRASS AREAS FROM DAMAGE AT ALL TIMES...
6. EXAMINE AREAS TO RECEIVE PLANTS FOR COMPLIANCE WITH REQUIREMENTS AND CONDITIONS AFFECTING INSTALLATION AND PERFORMANCE...
6.1. VERIFY THAT NO FOREIGN OR DELETERIOUS MATERIAL OR LIQUID SUCH AS PAINT, PAINT WASHOUT, CONCRETE SLURRY, CONCRETE LAYERS OR CHUNKS, CEMENT, PLASTER, OILS, GASOLINE, DIESEL FUEL, PAINT THINNER, TURPENTINE, TAR, ROOFING COMPOUND, OR ACID HAS BEEN DEPOSITED IN SOIL WITHIN PLANTING AREAS.
6.2. DO NOT MIX OR PLACE SOILS IN FROZEN, WET, OR MUDDY CONDITIONS.

PLANTING DELIVERY, STORAGE, & HANDLING:

- 1. BULK MATERIALS:
1.1. DO NOT DUMP OR STORE BULK MATERIALS NEAR STRUCTURES, UTILITIES, WALKWAYS AND PAVEMENTS, OR ON EXISTING TURF AREAS OR PLANTS.
2. DO NOT PRUNE TREES AND SHRUBS BEFORE DELIVERY. PROTECT BARK, BRANCHES, AND ROOT SYSTEMS FROM SUN SCALD, DRYING, WIND BURN, SWEATING, WHIPPING, AND OTHER HANDLING AND TYING DAMAGE...
3. HANDLE PLANTING STOCK BY ROOT BALL.
4. DELIVER PLANTS AFTER PREPARATIONS FOR PLANTING HAVE BEEN COMPLETED AND INSTALL IMMEDIATELY...
4.1. SET BALLED STOCK ON GROUND AND COVER BALL WITH SOIL, PEAT MOSS, SAWDUST, OR OTHER ACCEPTABLE MATERIAL.
4.2. WATER ROOT SYSTEMS OF PLANTS STORED ON-SITE DEEPLY AND THOROUGHLY WITH A FINE-MIST SPRAY...
5. EXCAVATION FOR TREES & SHRUBS
5.1. EXCAVATE CIRCULAR PLANTING PITS AS INDICATED IN DRAWINGS...
5.2. EXCAVATE APPROXIMATELY THREE TIMES AS WIDE AS BALL DIAMETER FOR BALLED AND BURLAPPED STOCK...
5.3. DO NOT EXCAVATE DEEPER THAN DEPTH OF THE ROOT BALL...
5.4. IF AREA UNDER THE PLANT WAS INITIALLY DUG TOO DEEP, ADD SOIL TO RAISE IT TO CORRECT LEVEL...
5.5. MAINTAIN REQUIRED ANGLES OF REPOSE OF ADJACENT MATERIALS AS SHOWN IN DRAWINGS...
5.6. MAINTAIN SUPERVISION OF EXCAVATIONS DURING WORKING HOURS...
5.7. KEEP EXCAVATIONS COVERED OR OTHERWISE PROTECTED WHEN UNATTENDED BY INSTALLER'S PERSONNEL.
5.8. SUBSOIL AND TOPSOIL REMOVED FROM EXCAVATIONS MAY BE USED AS PLANTING SOIL...
5.9. NOTIFY OWNER'S PROJECT REPRESENTATIVE IF UNEXPECTED ROCK OR OBSTRUCTIONS DETRIMENTAL TO TREES OR SHRUBS ARE ENCOUNTERED...
5.10. NOTIFY OWNER'S PROJECT REPRESENTATIVE IF SUBSOIL CONDITIONS EVIDENCE UNEXPECTED WATER SEEPAGE OR RETENTION IN TREE OR SHRUB PLANTING PITS.

EXCAVATION FOR TREES & SHRUBS

- 1. EXCAVATE CIRCULAR PLANTING PITS AS INDICATED IN DRAWINGS, TRIM PERIMETER OF BOTTOM LEAVING CENTER AREA OF BOTTOM RAISED SLIGHTLY TO SUPPORT ROOT BALL AND ASSIST IN DRAINAGE AWAY FROM CENTER...
1.1. EXCAVATE APPROXIMATELY THREE TIMES AS WIDE AS BALL DIAMETER FOR BALLED AND BURLAPPED STOCK.
1.2. DO NOT EXCAVATE DEEPER THAN DEPTH OF THE ROOT BALL, MEASURED FROM THE ROOT FLARE TO THE BOTTOM OF THE ROOT BALL.
1.3. IF AREA UNDER THE PLANT WAS INITIALLY DUG TOO DEEP, ADD SOIL TO RAISE IT TO CORRECT LEVEL AND THOROUGHLY TAMP THE ADDED SOIL TO PREVENT SETTLING.
1.4. MAINTAIN REQUIRED ANGLES OF REPOSE OF ADJACENT MATERIALS AS SHOWN IN DRAWINGS...
1.5. MAINTAIN SUPERVISION OF EXCAVATIONS DURING WORKING HOURS.
1.6. KEEP EXCAVATIONS COVERED OR OTHERWISE PROTECTED WHEN UNATTENDED BY INSTALLER'S PERSONNEL.
2. SUBSOIL AND TOPSOIL REMOVED FROM EXCAVATIONS MAY BE USED AS PLANTING SOIL...
3. NOTIFY OWNER'S PROJECT REPRESENTATIVE IF UNEXPECTED ROCK OR OBSTRUCTIONS DETRIMENTAL TO TREES OR SHRUBS ARE ENCOUNTERED...
4. NOTIFY OWNER'S PROJECT REPRESENTATIVE IF SUBSOIL CONDITIONS EVIDENCE UNEXPECTED WATER SEEPAGE OR RETENTION IN TREE OR SHRUB PLANTING PITS.

TREE & SHRUB PLANTING

- 1. BEFORE PLANTING VERIFY THAT ROOT FLARE IS VISIBLE AT TOP OF ROOT BALL...
2. PLANTS FOUND TO HAVE STEM GIRDLING ROOTS AND/OR KINKED ROOTS AT THE TIME OF PLANTING WILL BE REJECTED...
3. REMOVE ALL TWINE, STRING, WIRE, AND ALL OTHER NON-BIODEGRADABLE MATERIAL ENTIRELY FROM ROOT BALL AREA.
4. REMOVE ONLY DEAD, DYING, OR BROKEN BRANCHES...
5. SET BALLED AND BURLAPPED STOCK PLUMB AND IN CENTER OF PLANTING PIT...
5.1. USE SOIL MATERIALS FROM EXCAVATION FOR BACKFILL.
5.2. CAREFULLY CUT AND REMOVE BURLAP, ROPE, AND WIRE BASKETS FROM THE ENTIRE ROOT BALL...
5.3. BACKFILL AROUND ROOT BALL IN LAYERS, TAMPING TO SETTLE SOIL AND ELIMINATE VOIDS...
5.4. CONTINUE BACKFILLING PROCESS, WATER AGAIN AFTER PLACING AND TAMPING FINAL LAYER OF SOIL.

TREE & SHRUB MATERIAL:

- 1. GENERAL: FURNISH NURSERY-GROWN PLANTS TRUE TO GENUS, SPECIES, VARIETY, CULTIVAR, STEM FORM, SHEARING, AND OTHER FEATURES INDICATED IN PLANT SCHEDULE...
1.1. TREES WITH DAMAGED, CROOKED, OR MULTIPLE LEADERS...
1.2. COLLECTED STOCK: DO NOT USE PLANTS HARVESTED FROM THE WILD...
1.3. PLANT MATERIAL SHALL BE PROVIDED IN THE CONTAINER TYPE INDICATED...
2. FURNISH TREES WITH ROOT BALLS MEASURED FROM TOP OF ROOT BALL...
3. SELECT STOCK FOR UNIFORM HEIGHT AND SPREAD.

PLANTING SOIL:

- 1. PLANTING SOIL SHALL BE PLACED IN ONE CONTINUOUS VOLUME FOR THE ENTIRE WIDTH OF LANDSCAPE AREAS.
2. CONTRACTOR SHALL PROVIDE HIGH-QUALITY TOPSOIL FOR ALL NEW TURFGRASS LAWN AND PLANTING BED AREAS...
2.1. FOR SEEDED LAWNS: 4-INCHES MINIMUM; 8-INCHES IN AREAS WHERE HIGH BEDROCK IS PRESENT.
2.2. FOR PLANTING BEDS: 12-INCHES.
2.3. FOR TREE PITS AND/OR TREES PLANTED IN PLANTING BEDS: 24-INCHES OR THE DEPTH OF THE ROOTBALL...
2.4. NO TOPSOIL IS REQUIRED UNDER ANY AREAS THAT ARE EXCLUSIVELY STONE COBBLES/STONE MATERIALS.
2.5. TOPSOIL SHALL BE LOAM TO SANDY LOAM AND FREE OF ROCKS, GRAVEL, WOOD, DEBRIS, LITTER, AND OF NOXIOUS WEEDS OR BACIF SEEDS...
3. DO NOT APPLY PLANTING SOIL TO SATURATED OR FROZEN SUBGRADES.
4. PLANTING SOIL SHALL BE A MIX OF 6-PARTS TOPSOIL, 1-PART COMPOST...
4.1. THE PROJECT WILL ACCEPT ONLY CLEAN, SALVAGED OR IMPORTED TOPSOIL...
4.2. STRIPPED, SALVAGED, OR MINED TOPSOIL MUST BE TAKEN FROM THE TOP 6-INCHES OF THE A-HORIZON...
5. ALL TOPSOIL SHALL BE VERIFIED BY FIELD REVIEW AT THE LOCATION OF THE TOPSOIL STOCKPILE...
6. REFER TO CIVIL PLANS FOR SUBTERRANEAN BIORETENTION SOIL, MATERIALS AND CONSTRUCTION.
7. FINISH GRADE TOPSOIL SURFACES TO THE FOLLOWING TOLERANCES...
7.1. FOR SEEDED LAWNS: HOLD TOPSOIL 1/2-INCH BELOW TOP SURFACE OF ADJACENT PAVEMENT.
7.2. FOR PLANTING BEDS: HOLD TOPSOIL 2-INCHES BELOW TOP SURFACE OF ADJACENT PAVEMENT...

BARK MULCH MATERIAL & INSTALLATION

- 1. TWICE-SHREDDED HARDWOOD BARK MULCH TO BE PROVIDED AS TOP-DRESSING FOR AT-GRADE PLANTING BEDS...
1.1. SIZE RANGE: MAXIMUM 2.5" TO 3"
1.2. COLOR: NATURAL, UN-DYED
1.3. PROVIDE 3" DEPTH MULCH FOR ALL PLANTING BEDS...
2. KEEP BARK MULCH 2" CLEAR OF ALL STEMS OF PLANT MATERIAL.

CLEAN-UP AND PROTECTION

- 1. DURING PLANTING, KEEP ADJACENT PAVING AND CONSTRUCTION CLEAN AND WORK AREA IN AN ORDERLY CONDITION.
2. PROTECT PLANTS FROM DAMAGE DUE TO LANDSCAPE OPERATIONS AND OPERATIONS OF OTHER CONTRACTORS...
3. AFTER INSTALLATION REMOVE ALL NURSERY TAGS, NURSERY STAKES, TIE TAPE, LABELS, WIRE, STRING, AND OTHER DEBRIS...

STONE MULCH EDGE MATERIAL & INSTALLATION:

- 1. SHALL BE HARD, DURABLE, STONE, WASHED FREE OF LOAM, SAND, CLAY, AND OTHER FOREIGN SUBSTANCES...
1.1.1. TYPE: STONE MULCH EDGE
1.1.2. MATERIAL: ROUNDED WASHED STONE
1.1.3. SIZE: 1-1/2"
1.1.4. DEPTH: 3" MINIMUM IN (2) LIFTS
1.1.5. COLOR RANGE: BLEND OF TAN, GREY & RED TONES
1.1.6. BASIS OF DESIGN: 1-1/2" AMERICAN HERITAGE AGGREGATE...
2. COMPACT AREAS TO RECEIVE STONE MULCH IN (2) LIFTS MINIMUM
3. INSTALL WEED BARRIER FABRIC IN ACCORDANCE WITH MANUFACTURER'S WRITTEN INSTRUCTIONS...
4. PLACE AND FINISH STONE MULCH AS INDICATED IN DRAWINGS, ENSURING A SMOOTH, LEVEL TOP SURFACE...

TURF SEEDING:

- 1. DELIVERY:
1.1. DELIVER PACKAGED SEED MATERIALS IN ORIGINAL, UNOPENED CONTAINERS...
2. PROJECT CONDITIONS:
2.1. SEED DURING ONE OF THE FOLLOWING PERIODS:
2.1.1. SPRING SEEDING SEASON: APRIL 1 TO JUNE 15.
2.1.2. FALL SEEDING SEASON: AUGUST 15 TO OCTOBER 1.
3. PRODUCTS:
3.0.1. PROVIDE THE FOLLOWING FOR TURFGRASS SEED BASIS OF DESIGN: REINDEERS DELUXE 50 SEED MIX OR APPROVED EQUAL.
3.0.2. TURFGRASS SEED MIX TO BE FERTILIZED WITH 'SCOTT'S STARTER FERTILIZER'...
4. PROCEED WITH INSTALLATION ONLY AFTER UNSATISFACTORY CONDITIONS HAVE BEEN MET.
5. REMOVE ANY AND ALL UNDESIRABLE VEGETATION THAT HAS GERMINATED...
6. FINISH GRADING: GRADE AREAS TO A SMOOTH, UNIFORM SURFACE...
7. MOISTEN PREPARED AREA BEFORE SEEDING...
8. NO SEEDING SHALL OCCUR ON FROZEN GROUND...
9. SEEDING RATES TO BE PERFORMED IN ACCORDANCE WITH SEED SUPPLIER RECOMMENDATIONS.

PLANT SCHEDULE

Table with columns: DECIDUOUS TREES, CONIFEROUS TREES, EVERGREEN TREES, DECIDUOUS SHRUBS, EVERGREEN SHRUBS, ORNAMENTAL GRASSES, SHRUB AREAS, GROUND COVERS. Includes botanical names, sizes, and quantities.

SIGMA GROUP logo and contact information: Single Source. Sound Solutions. www.thesigmagroup.com, 1300 West Canal Street, Milwaukee, WI 53233, Phone: 414-643-4200, Fax: 414-643-4210

114TH AND BLUEMOUND
11430 - 11400 BLUEMOUND ROAD
WAUWATOSA, WISCONSIN
LANDSCAPE SPECIFICATIONS
PRELIMINARY NOT FOR CONSTRUCTION

SCALE:
PROJECT NO: 21393
DESIGN DATE: ---
PLOT DATE: 2/23/2023
DRAWN BY: ---
CHECKED BY: ---
APPROVED BY: ---
SHEET NO:

L300